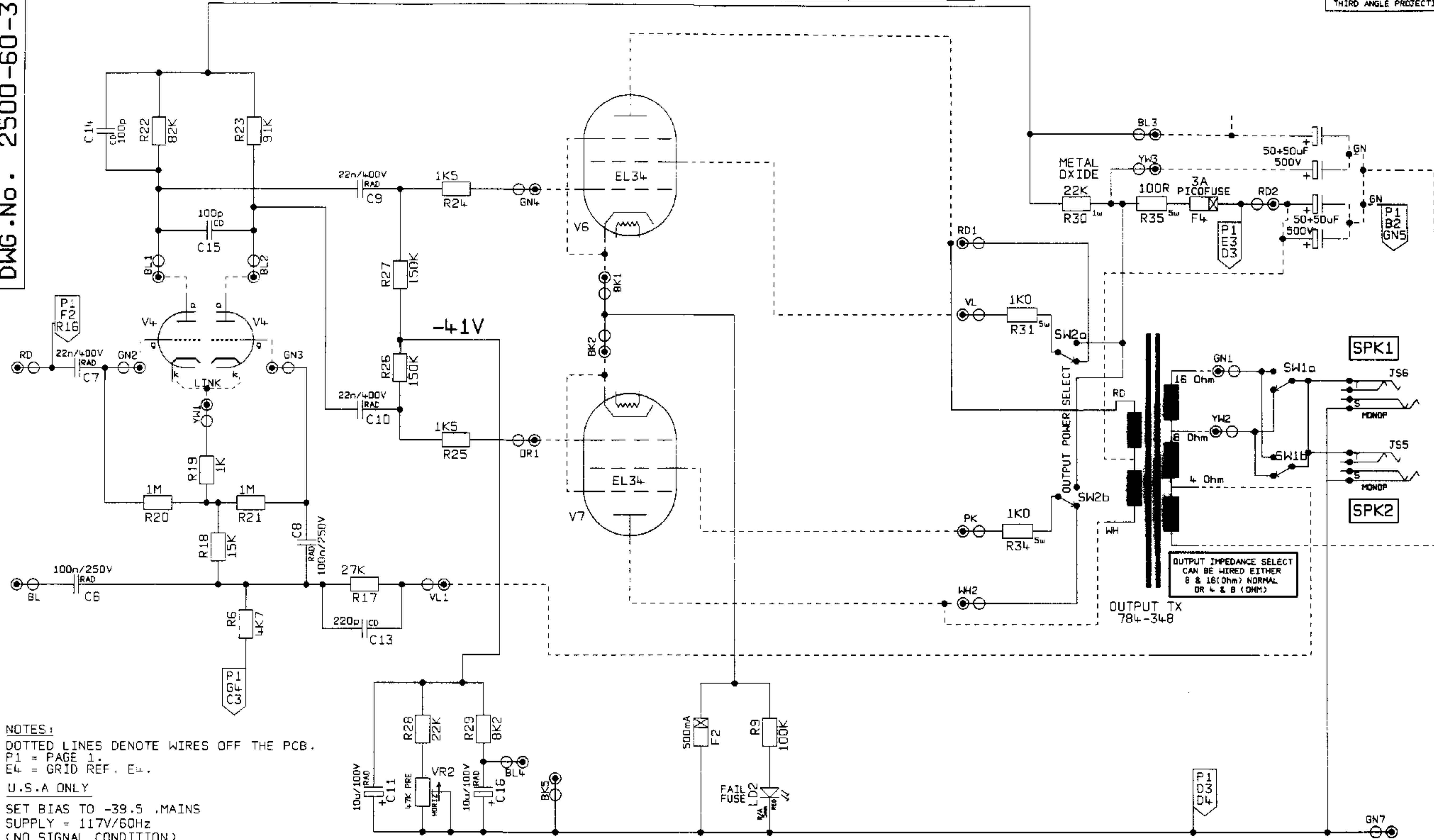
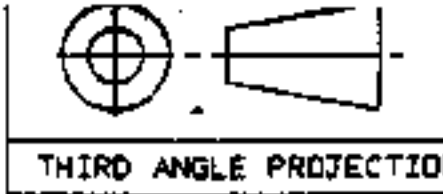


EL34 VALVE TYPE



NOTES:
 DOTTED LINES DENOTE WIRES OFF THE PCB.
 P1 = PAGE 1.
 E4 = GRID REF. E4.
 U.S.A ONLY
 SET BIAS TO -39.5 V MAINS
 SUPPLY = 117V/60Hz
 (NO SIGNAL CONDITION)

UNSPECIFIED HOLE DATA			MATERIAL		DIMENSIONS IN		TITLE	
13	1003	9/10/95	A		MATERIAL THICKNESS	TOLERANCE (UNLESS OTHERWISE STATED)	<p>POWER AMP CCT</p>	
12	0988	6/8/95	B		INTERNAL BEND RADI	DIMENSIONAL		
11	0868	12/4/95	C		EXTERNAL B/A	CENTRES		
10	0688	17-11-94	D		BEND DIE	ANGULAR		
ISS	ECG NUMBER	DATE	E		DATE			
			F					
			G					ISSUE

MODEL 2500SL-X
 EL34 VALVE TYPE

COPYRIGHT EXISTS ON THIS DOCUMENT. IT MUST NOT BE USED FOR ANY PURPOSE OTHER THAN THAT FOR WHICH IT IS SUPPLIED AND MUST NOT BE REPRODUCED OR IN PART WITHOUT WRITTEN PERMISSION FROM
 MARSHALL AMPLIFICATION PLC
 DOWNING ROAD, BLECKLEY, MILTON KEYNES, MK1 10Q.
 TEL (0908)575411 FAX (0908)576118

DWG.No 2500-60-34
 ISSUE 13