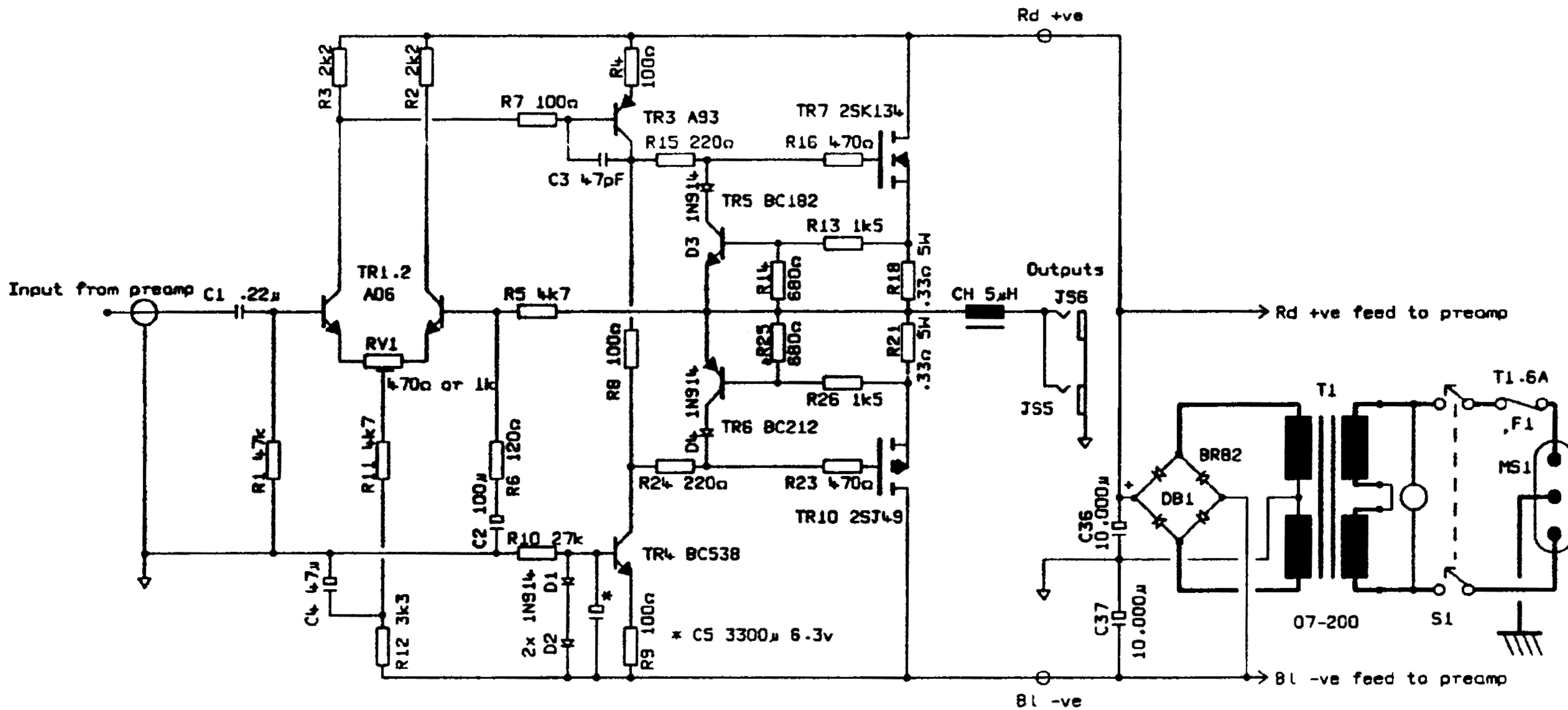


NOTES

PCBs: DB1 on JM92C.
Power stage on JM89D

TR1.2 are type MPSA06S
gain selected



3	27-4-88	CPV
2	4-6-86	R.S.
1	21-6-85	S.G.
ISS.	DATE	DRN.

DRAWING NUMBER
3510 STD
PSU & Output Stage

MARSHALL
JIM MARSHALL
PRODUCTS LTD.
BLETCHLEY
MILTON KEYNES
ENGLAND
File: 3510PWR.DGM

