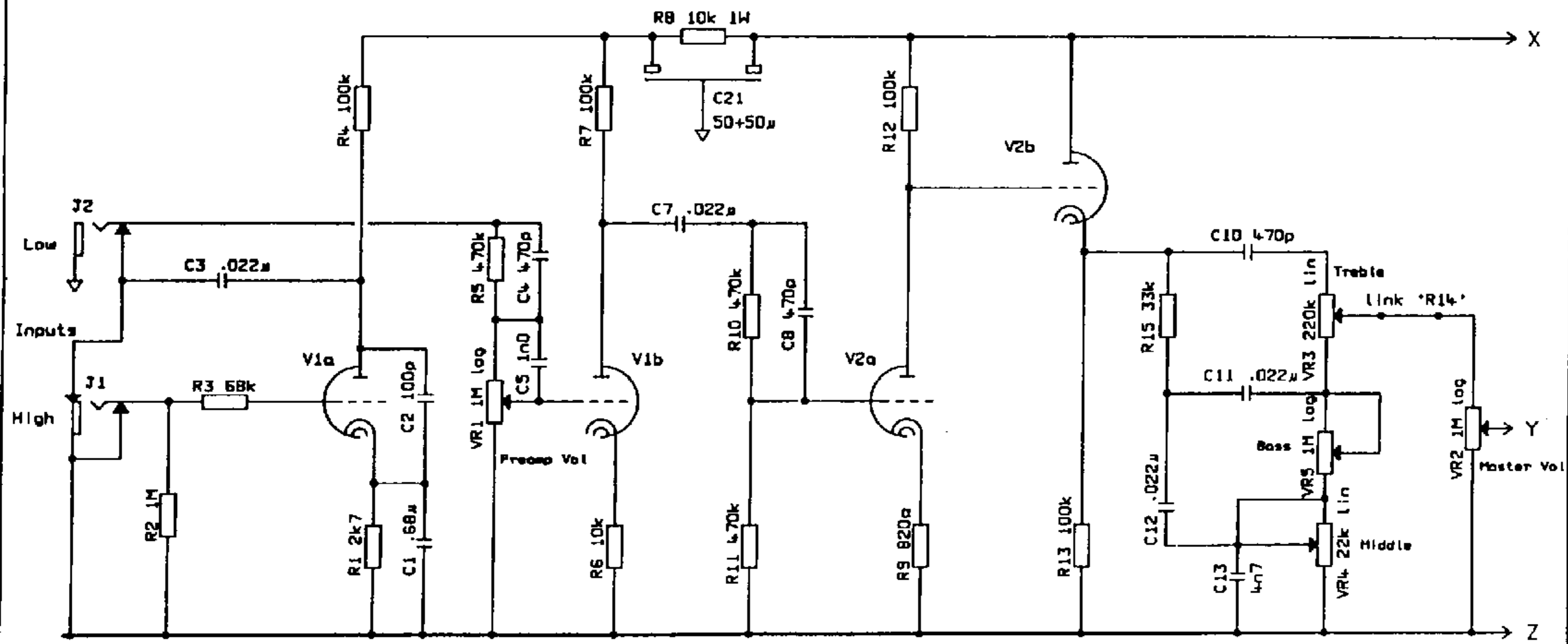


NOTES

PCB: JM80

V1.2: ECC83. filament supply shown on power stage diagram.



4	19-5-88	CPV
ISS. DATE		DRN.

DRAWING NUMBER
4010 STD
 Preamp

MARSHALL

JIM MARSHALL
 PRODUCTS LTD.
 BLETCHLEY
 MILTON KEYNES
 ENGLAND
 File: 4010PRE.DGM

