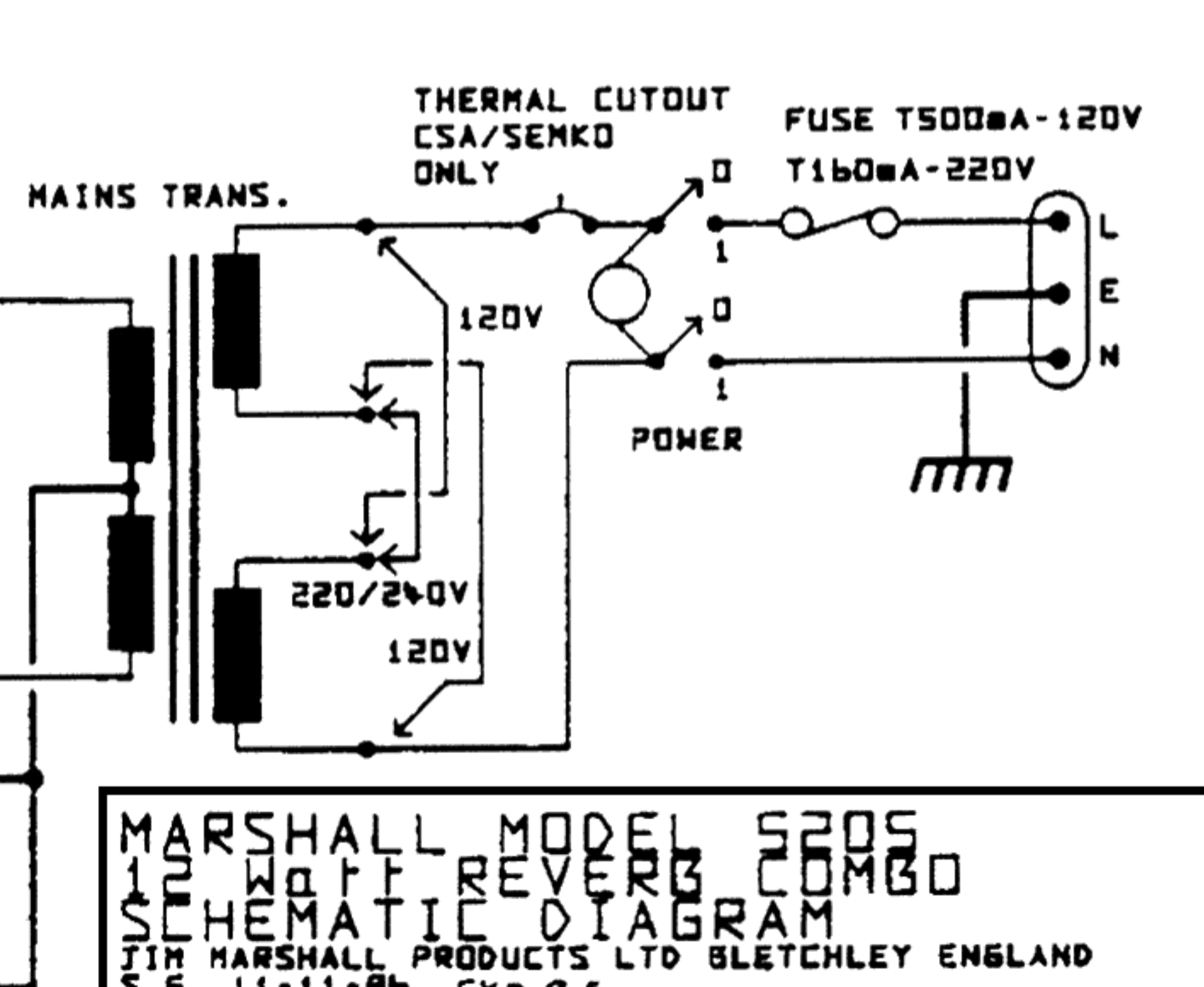
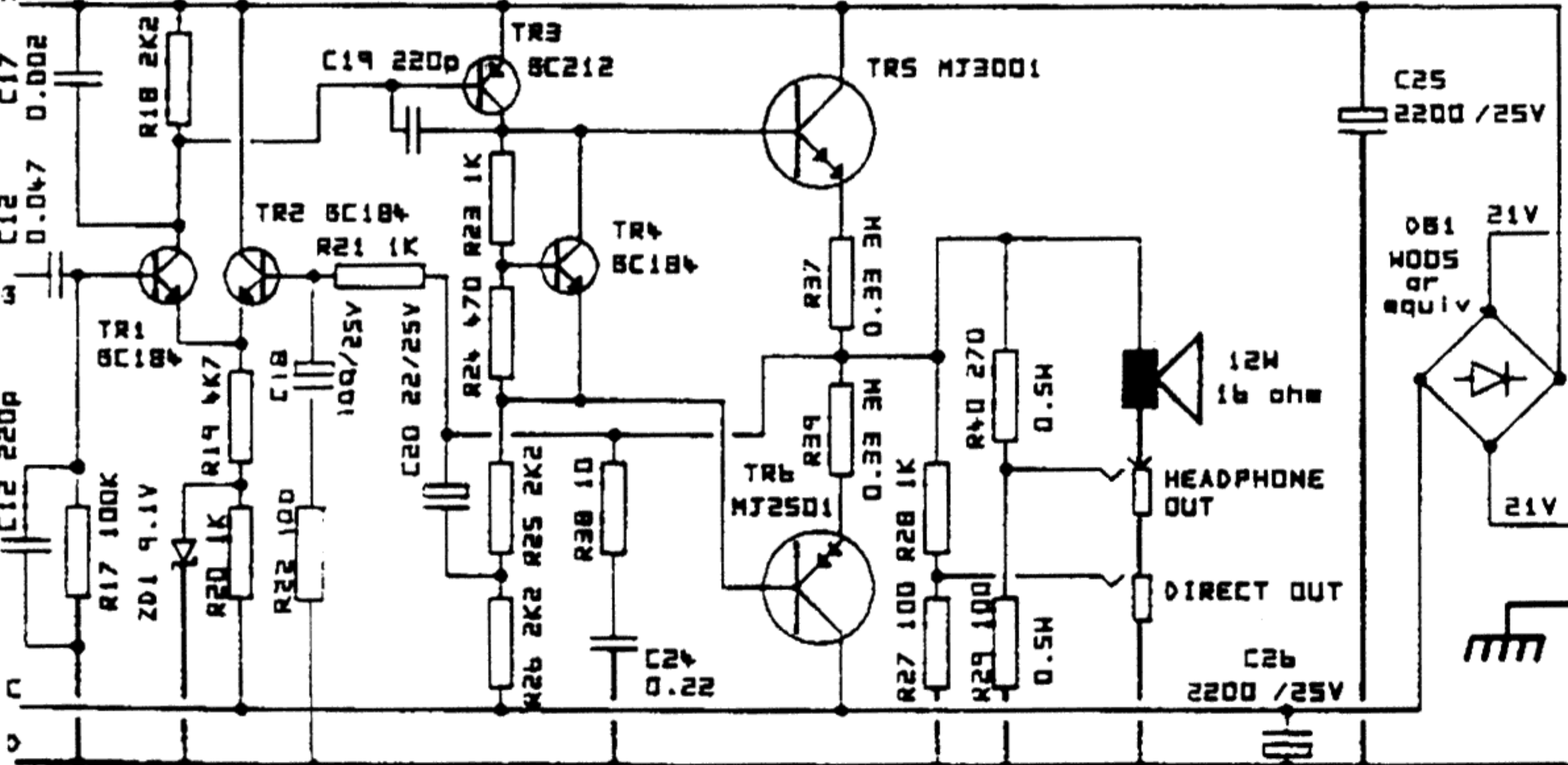


ALL RESISTORS 1/4W. CAPACITORS MF 50V AXIAL UNLESS STATED.



MARSHALL MODEL 5200S
 SCHEMATIC DIAGRAM
 JIM MARSHALL PRODUCTS LTD BLETCHLEY ENGLAND
 S.G. 11-11-86 CKO R.S.