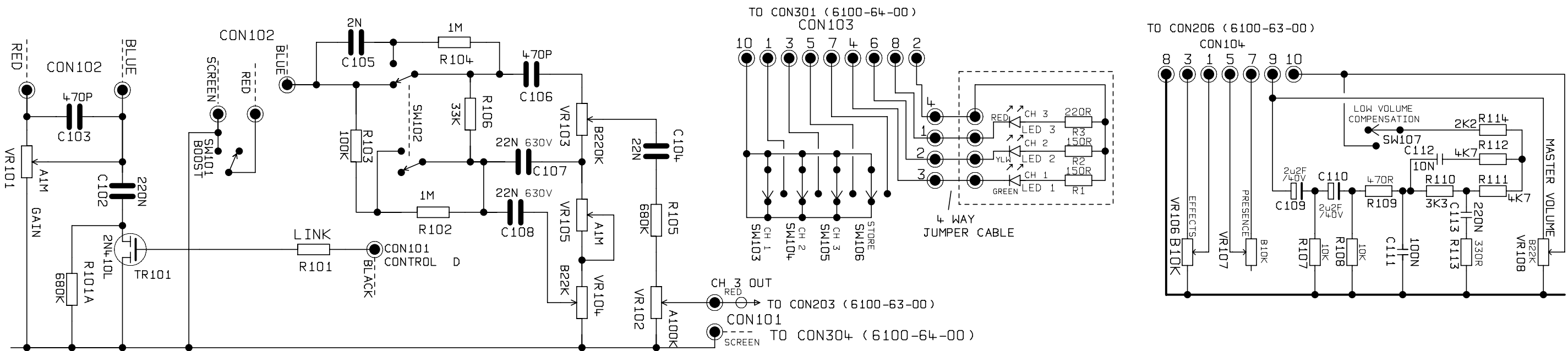
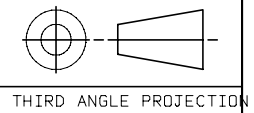


DWG.No. 6100-62-04



UNSPECIFIED HOLE DATA			MATERIAL		DIMENSIONS IN		TITLE
A	B	H	MATERIAL THICKNESS	TOLERANCE (UNLESS OTHERWISE STATED)	DIMENSIONAL	A3	
		J	INTERNAL BEND RADII		CENTRES		
		K	EXTERNAL B/A		ANGULAR		
3	0601	M	BEND DIE	DRAWN T.F	DATE 15/05/92	<small>COPYRIGHT EXISTS ON THIS DOCUMENT. IT MUST NOT BE USED FOR ANY PURPOSE THAN THAT FOR WHICH IT IS SUPPLIED AND MUST NOT BE COPIED IN WHOLE OR IN PART) WITHOUT WRITTEN PERMISSION FROM © JIM MARSHALL (PRODUCTS) LTD. DENBIGH ROAD, BLETCHLEY, MILTON KEYNES, MK1 10G. TEL (0908)375411 FAX (0908)376118</small>	
2	0282	N		CHECKED	DATE		
ISS	ECO NUMBER	P		APPROVED	DATE	MODEL 6100/6101	
						DWG.No 6100-62-04	
						ISSUE 3	