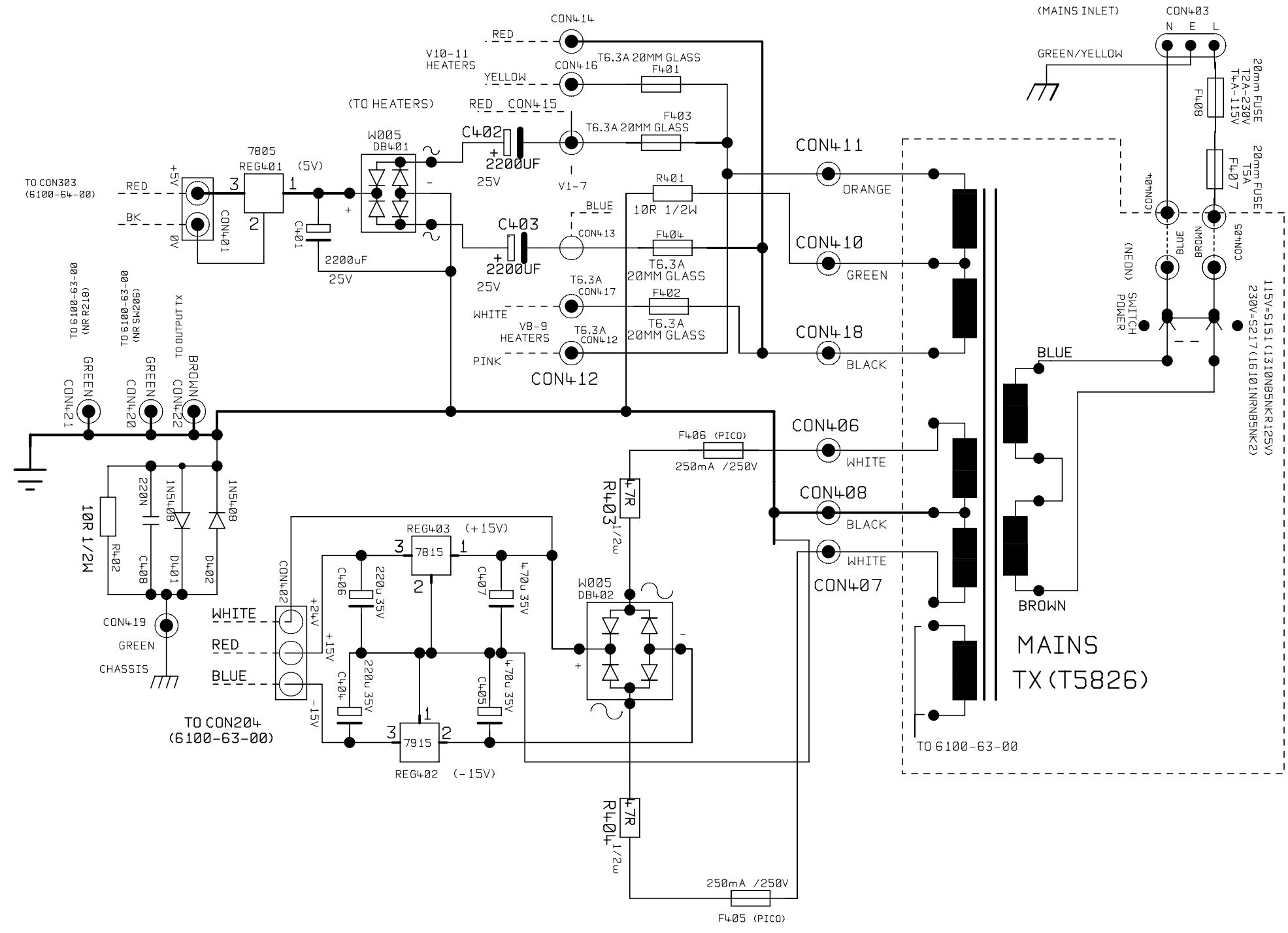


DWG.No. 6100-65-04



NOTE:-
FOR JAPAN UNITS USE (T6057)
FOR MEXICO UNITS USE (T6012)

MAINS
TX (T5826)

ISS	ECO NUMBER	DATE	ALL OTHER HOLES =				X = (THROUGH PLATED)				MATERIAL	DIMENSIONS IN	
6	1716	11/11/98	A		E		J		N		TOLERANCE (UNLESS OTHERWISE STATED)		
5	0673	11/07/94	B		F		K		P		DRAWN T.F DATE 15/05/92		
4	0249	15/07/92	C		G		L		Q		CHECKED DATE		
			D		H		M		R		APPROVED DATE		



TITLE PSU CCT	
DWG.No 6100-65-04	ISS 6

6100/6101