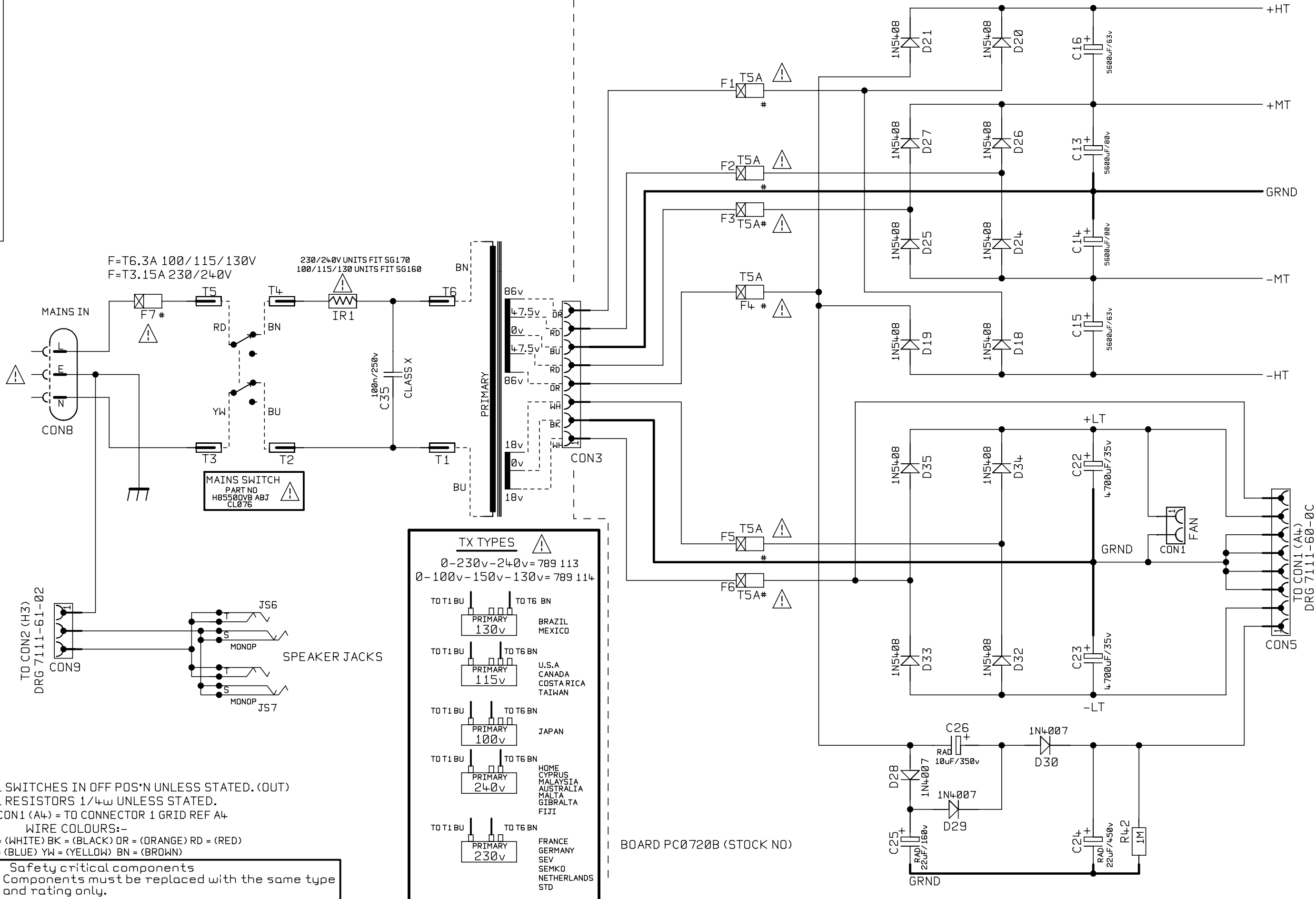


DWG.No. 7111-63-02



MAINS SWITCH
PART NO
H85500VB ABJ
CL076

TX TYPES	
0-230v-240v= 789 113	BRAZIL MEXICO
0-100v-150v-130v= 789 114	U.S.A CANADA COSTA RICA TAIWAN
TO T1 BU TO T6 BN	JAPAN
TO T1 BU TO T6 BN	HOME CYPRUS MALAYSIA AUSTRALIA MALTA GIBRALTA FIJI
TO T1 BU TO T6 BN	FRANCE GERMANY SEV SEMKD NETHERLANDS STD

ALL SWITCHES IN OFF POS'N UNLESS STATED. (OUT)
ALL RESISTORS 1/4w UNLESS STATED.
TO CON1 (A4) = TO CONNECTOR 1 GRID REF A4
WIRE COLOURS:-
WH = (WHITE) BK = (BLACK) OR = (ORANGE) RD = (RED)
BU = (BLUE) YW = (YELLOW) BN = (BROWN)

! Safety critical components
Components must be replaced with the same type and rating only.

ALL OTHER HOLES =		X = (THROUGH PLATED)	
2	0719	15.09.94	
1	MANUFACTURE RELEASE	18/08/94	
ISS	ECO NUMBER	DATE	

MATERIAL		DIMENSIONS IN	
MATERIAL THICKNESS		TOLERANCE (UNLESS OTHERWISE STATED)	
DRAWN T.FOY	DATE 23/06/94	MODEL	
CHECKED	DATE		
APPROVED	DATE		

Marshall
© JIM MARSHALL (PRODUCTS) LTD.
DENBIGH ROAD, BLETCHLEY, MILTON KEYNES, MK1 1DG.
TEL: (0908)375411 FAX: (0908)375118

TITLE	
CCT DIAGRAM (P.S.U)	
DWG.No 7111-63-02	ISS 2