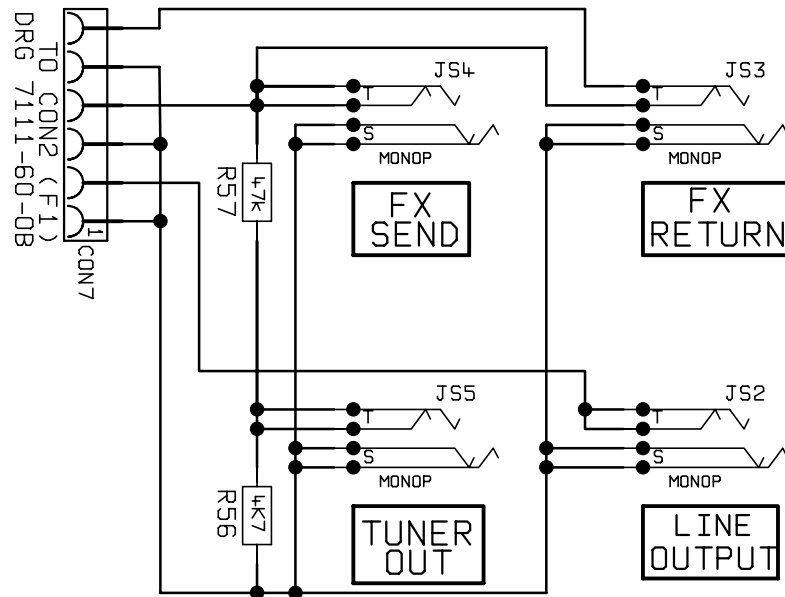



DWG.No. 7111-65-02



ALL RESISTORS 1/4W UNLESS STATED.  
 TO CON2 (F1) = TO CONNECTOR 2 GRID REF F1 DRG 7111-60-0B

			ALL OTHER HOLES =						X = ( THROUGH PLATED			MATERIAL		DIMENSIONS IN		 © JIM MARSHALL (PRODUCTS) LTD. DENBIGH ROAD, BLETCHLEY, MILTON KEYNES, MK1 1DQ. TEL (0908)375411 FAX (0908)376118		TITLE CCT DIAGRAM (EFFECTS)	
			A		E		J		N		MATERIAL THICKNESS	TOLERANCE (UNLESS OTHERWISE STATED)		DWG.No 7111-65-02				ISS 1	
1	MANUFACTURE RELEASE	18/08/94	B		F		K		P		DRAWN T.FOY	DATE 23/06/94	MODEL 72115.72410						
ISS	ECO NUMBER	DATE	C		G		L		Q		CHECKED	DATE							
			D		H		M		R		APPROVED	DATE							

A B C D E F G H