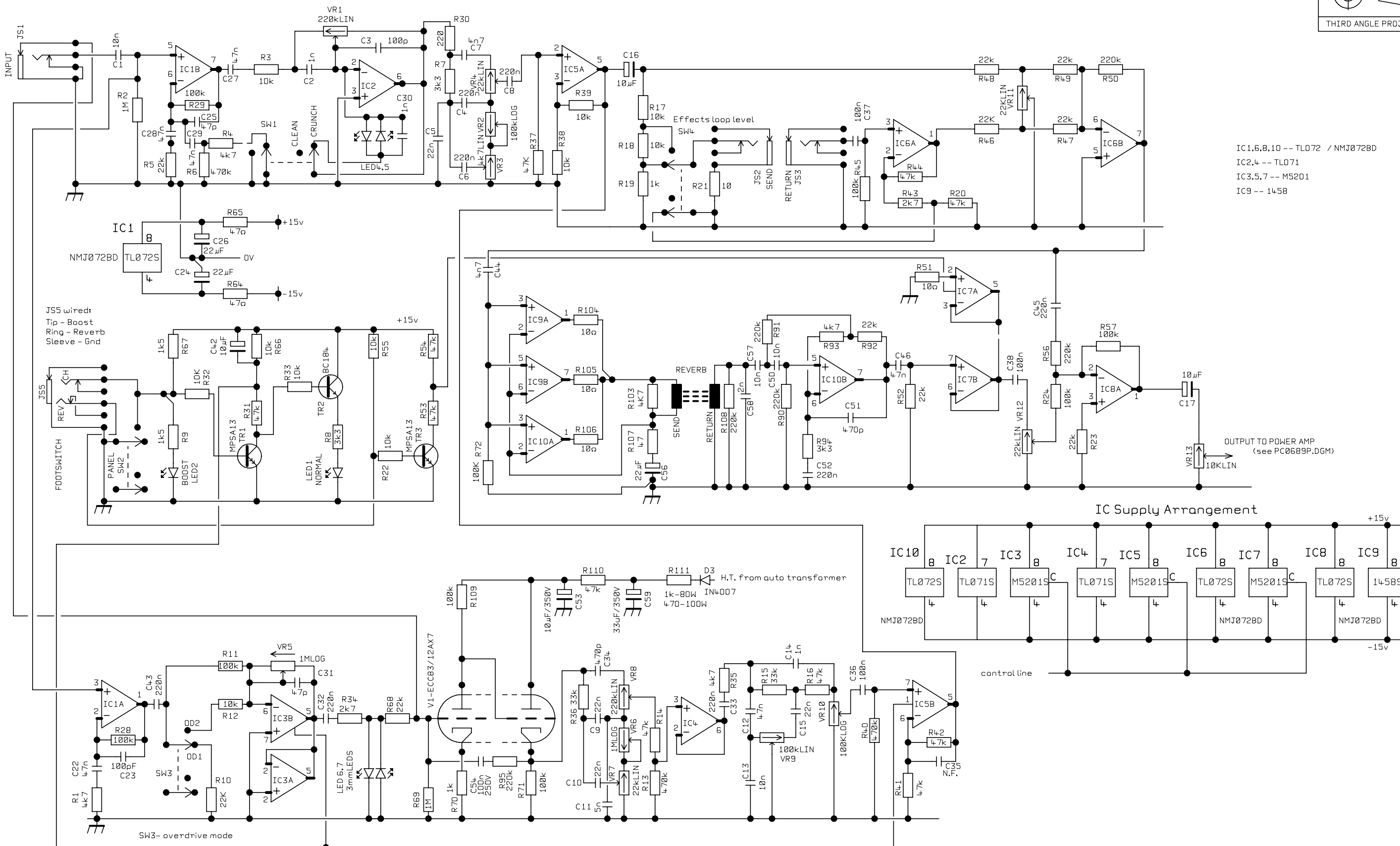
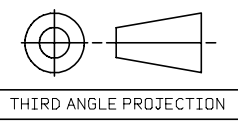


DWG.No. PC0689.DGM

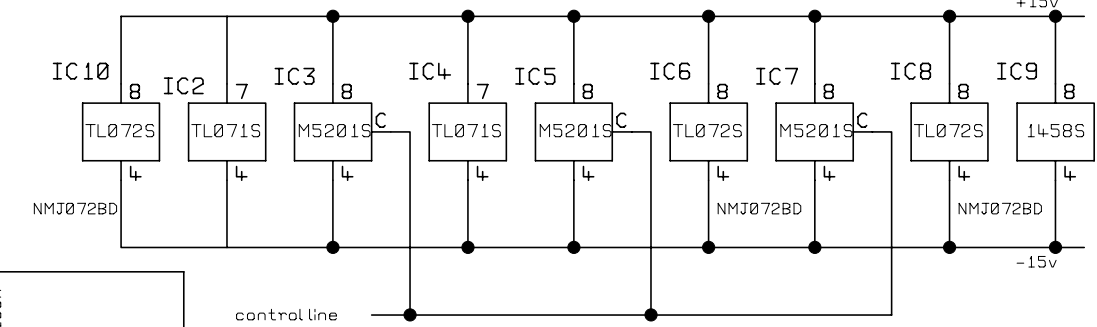


IC1,6,8,10 -- TL072 / NMJ072BD
 IC2,4 -- TL071
 IC3,5,7 -- M5201
 IC9 -- 1458

J55 wired:
 Tip - Boost
 Ring - Reverb
 Sleeve - Gnd

FOOTSWITCH
 PANEL SW2
 BOOST LED2
 LED1 NORMAL

IC Supply Arrangement



SW3 - overdrive mode

UNSPECIFIED HOLE DATA

A	H
B	J
C	K
D	L
E	M
F	N
G	P

MATERIAL

MATERIAL THICKNESS
INTERNAL BEND RADII
EXTERNAL B/A
BEND DIE
DRAWN S.G
CHECKED
APPROVED

DIMENSIONS IN

TOLERANCE (UNLESS OTHERWISE STATED)
DIMENSIONAL
CENTRES
ANGULAR
MODEL 8080/8100 VALVESTATE
DATE 11/06/91
DATE
DATE



COPYRIGHT EXISTS ON THIS DOCUMENT. IT MUST NOT BE USED FOR ANY PURPOSE THAN THAT FOR WHICH IT IS SUPPLIED AND MUST NOT BE COPIED OR IN PART) WITHOUT WRITTEN PERMISSION FROM
 © JIM MARSHALL (PRODUCTS) LTD.
 DENBIGH ROAD, BLETCHLEY, MILTON KEYNES, MK1 1DQ.
 TEL. (0900)375411 FAX (0900)376118

TITLE

CCT DIAGRAM
DWG.No PC0689.DGM
ISSUE 5