

THIRD ANGLE PROJECTION

4	0267	02/00/92
3	0166/0190	06/03/92
2	0153	03/02/92
1	RELEASED	22/01/92
ISS	ECO NUMBER	DATE

UNSPECIFIED HOLE DATA	
A	H
B	J
C	K
D	L
E	M
F	N
G	O

MATERIAL	
MATERIAL THICKNESS	
INTERNAL SURFACE FINISH	HM
EXTERNAL R/A	
BEND DICE	
DRAWN T.F	DATE 23/3/92
CHECKED	DATE
APPROVED	DATE

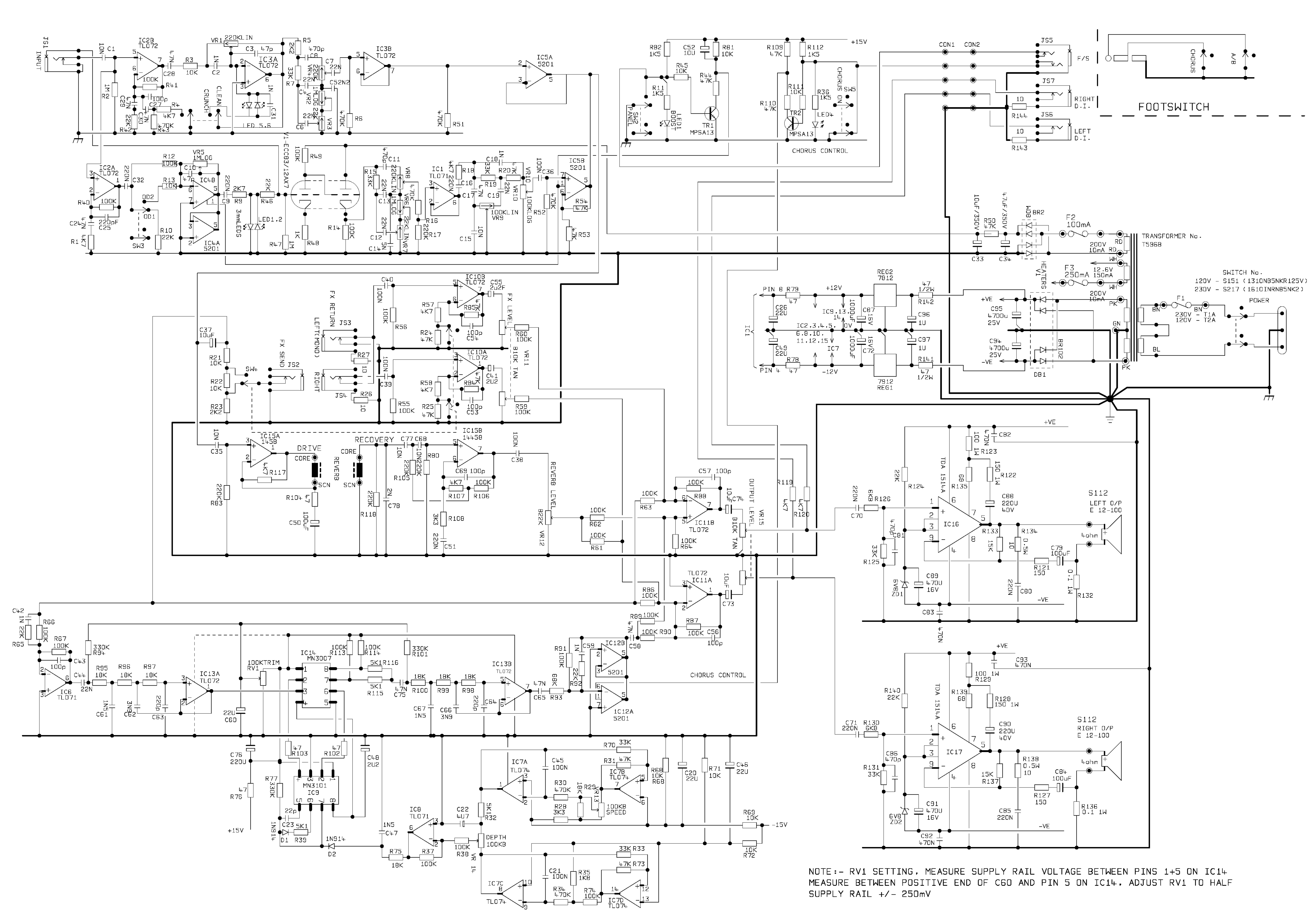
DIMENSIONS IN	
TOLERANCES UNLESS OTHERWISE STATED	
POSITIONAL	
CONTOUR	
ANGULAR	
MODEL	0240

Marshall

COPYRIGHT EXCEPT ON THIS DOCUMENT, IT MUST NOT BE USED FOR ANY OTHER PURPOSE OTHER THAN FOR WHICH IT IS SUPPLIED AND MUST NOT BE COPIED OR REPRODUCED OR MADE OR IN PART) WITHOUT WRITTEN PERMISSION FROM

© JIM MARSHALL (PRODUCTS) LTD.
 DENBIGH ROAD, BLETCHLEY, MILTON KEYNES, MK1 10Q
 TEL (0908) 375411 FAX (0908) 376118

TITLE	CCT DIAGRAM
A3	1 OF 3
DWG.NO	0240-61-06
ISSUE	4



NOTE :- RV1 SETTING, MEASURE SUPPLY RAIL VOLTAGE BETWEEN PINS 1+5 ON IC14
 MEASURE BETWEEN POSITIVE END OF C60 AND PIN 5 ON IC14. ADJUST RV1 TO HALF
 SUPPLY RAIL +/- 250mV