

# PARTS LIST FOR SANSUI SPEAKER SYSTEM

SP-X9/X8/X7/X6

Ref No. USP-35

## SP-X9/X8/X7/X6

SANSUI ELECTRIC CO., LTD.  
14-1, Izumi 2-Chome, Suginami-ku, TOKYO 168 JAPAN  
TELEPHONE: (03) 323-1111/TELEX. 232-2076




SP-X9

## 1. SPECIFICATIONS

\* Design and specifications subject to changes without notice for improvements.

### 1-1. SP-X9

Speakers		Crossover frequencies	1,000 Hz, 7,000 Hz, 10,000 Hz, 15,000 Hz
Woofer	436 mm (17-5/32") Cone-type	Enclosure	Bass reflex type
Midrange	165 mm (6-1/2") Cone-type		Walnut grain vinyl finish
Tweeter	154 x 50 mm (6-1/16" x 2") x 2 Horn-type	Dimensions	470 mm (18-1/2") W
Super tweeter	49 mm (1-15/16") x 3 Cone-type		688 mm (27-1/16") H
Maximum input power	300 watts		253 mm (9-31/32") D
Impedance	8 ohms	Weight	18.8 kg (41.4 lbs) net
Sensitivity	100 dB/W (at 1 m)		20.8 kg (45.9 lbs) packed
Frequency range	45 to 23,000 Hz (in anechoic chamber)		
	22 to 23,000 Hz (in normal listening room)		

### 1-2. SP-X8

Speakers		Crossover frequencies	1,000 Hz, 6,000 Hz, 10,000 Hz
Woofer	436 mm (17-5/32") Cone-type	Enclosure	Bass reflex type
Midrange	165 mm (6-1/2") Cone-type		Walnut grain vinyl finish
Tweeter	154 x 50 mm (6-1/16" x 2") Horn-type	Dimensions	470 mm (18-1/2") W
Super tweeter	49 mm (1-15/16") x 3 Cone-type		688 mm (27-1/16") H
Maximum input power	250 watts		253 mm (9-31/32") D
Impedance	8 ohms	Weight	18.3 kg (40.3 lbs) net
Sensitivity	100 dB/W (at 1 m)		20.3 kg (44.8 lbs) packed
Frequency range	45 to 23,000 Hz (in anechoic chamber)		
	22 to 23,000 Hz (in normal listening room)		

### 1-3. SP-X7

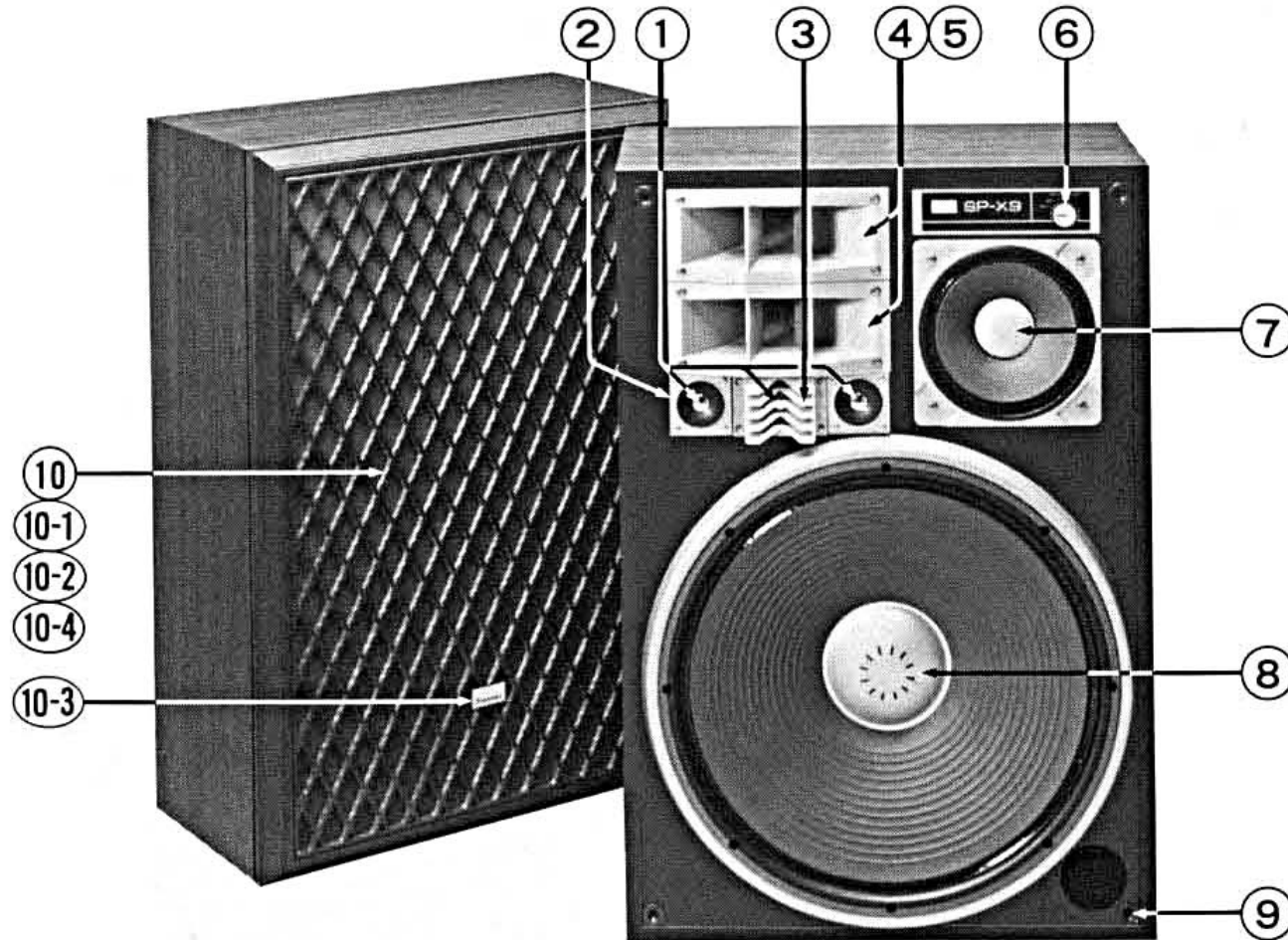
Speakers		Crossover frequencies	2,500 Hz, 7,000 Hz, 15,000 Hz
Woofer	406 mm (16") Cone-type	Enclosure	Bass reflex type
Midrange	121 mm (4-3/4") Cone-type		Walnut grain vinyl finish
Tweeter	154 x 50 mm (6-1/16" x 2") Horn-type	Dimensions	436 mm (17-5/32") W
Super tweeter	49 mm (1-15/16") x 2 Cone-type		682 mm (26-27/32") H
Maximum input power	200 watts		252 mm (9-29/32") D
Impedance	8 ohms	Weight	15.9 kg (35.1 lbs) net
Sensitivity	97 dB/W (at 1 m)		17.2 kg (37.9 lbs) packed
Frequency range	50 to 22,000 Hz (in anechoic chamber)		
	30 to 22,000 Hz (in normal listening room)		

### 1-4. SP-X6

Speakers		Crossover frequencies	2,500 Hz, 8,000 Hz, 16,000 Hz
Woofer	330 mm (13") Cone-type	Enclosure	Bass reflex type
Midrange	121 mm (4-3/4") Cone-type		Walnut grain vinyl finish
Tweeter	154 x 50 mm (6-1/16" x 2") Horn-type	Dimensions	378 mm (14-7/8") W
Super tweeter	49 mm (1-15/16") Cone-type		629 mm (24-3/4") H
Maximum input power	160 watts		252 mm (9-29/32") D
Impedance	8 ohms	Weight	12.1 kg (26.7 lbs) net
Sensitivity	95 dB/W (at 1 m)		13.4 kg (29.5 lbs) packed
Frequency range	50 to 22,000 Hz (in anechoic chamber)		
	30 to 22,000 Hz (in normal listening room)		

## 2. SP-X9

### 2-1. Front View



Parts List (Front View)

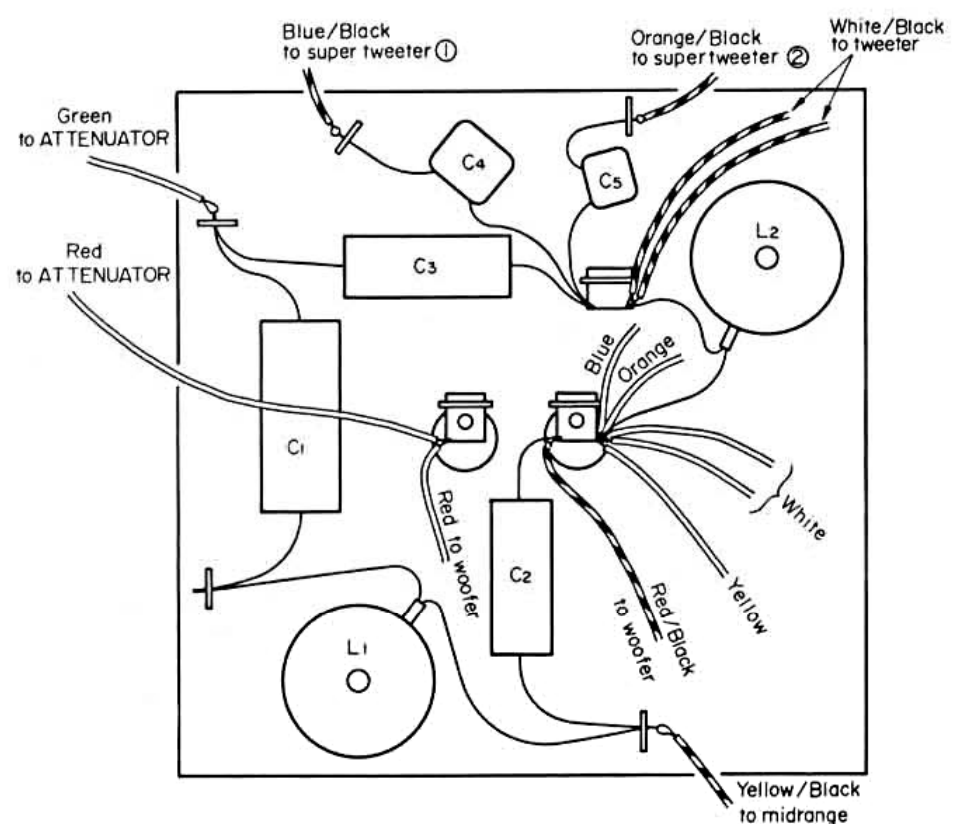
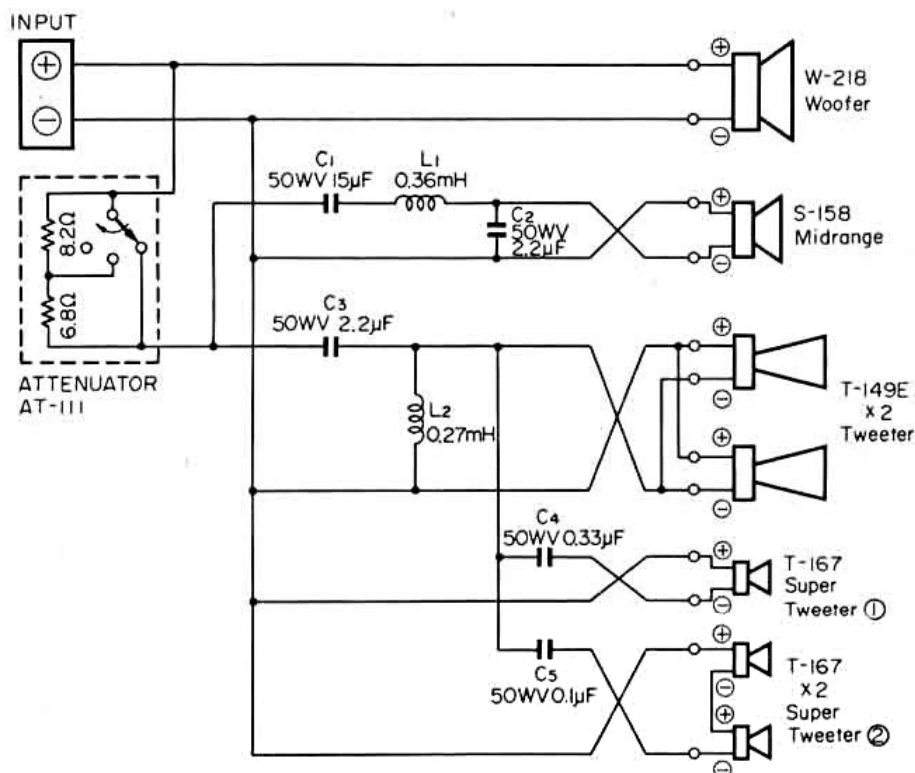
Parts No.	Stock No.	Description
1	44308300	T-167 Supertweeter
2	14059201	Supertweeter Cover
3	14059901	Acoustic Lens
4	14133000	T-149E Tweeter
5	14060400	Horn Cover
6	14136000	Knob Attenuator
7	14141600	S-158 Midrange
8	14141500	W-218 Woofer
9	52944900	Latch
10	14132600	Front Grille Ass'y
10-1	52942200	Strike
10-2	52940600	Support
10-3	14059110	Sansui Badge
	51740300	Push-nut for the Badge
10-4	00485900	Frat Countersunk Head Wood Screw M2.7 x 13 Black

Parts List (Crossover Network)

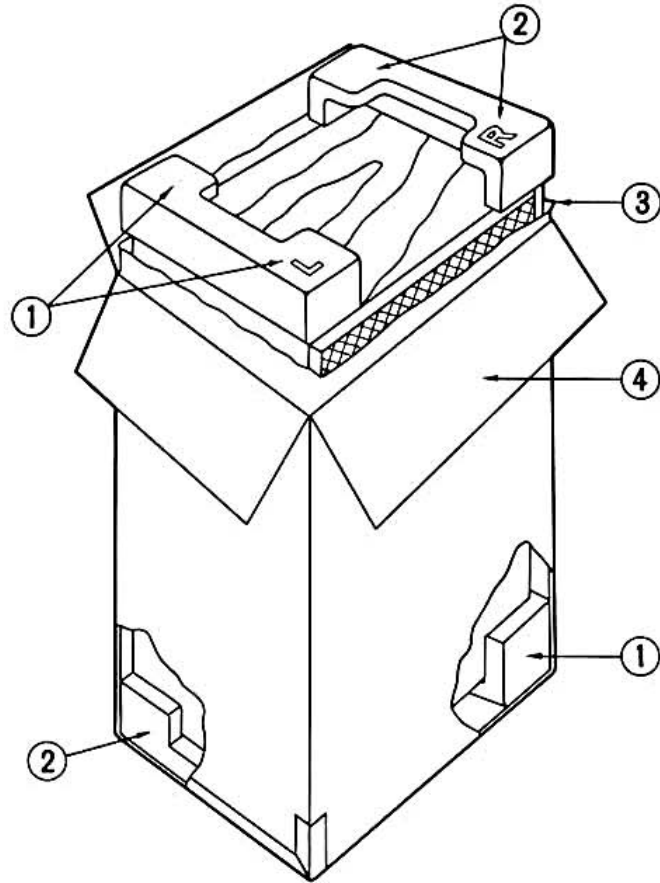
Parts No.	Stock No.	Description
C1	00302000	15 $\mu$ F 50WV E.B.
C2	00301100	2.2 $\mu$ F 50WV E.B.
C3	00301100	2.2 $\mu$ F 50WV E.B.
C4	00346200	0.33 $\mu$ F 50WV F.C.
C5	00344300	0.1 $\mu$ F 50WV F.C.
	14028900	Attenuator
	22301600	2P Input Terminal
	14082200	Binding Head Tapping Screw M3 x 16 Black

E.B.: Bi-Polar Electrolytic Capacitor  
F.C.: Film Capacitor

### 2-2. Crossover Network



## 6. PACKING LIST



### 6-1. SP-X9

#### Packing List

Parts No.	Stock No.	Description
1	14078600	(L) Styrofoam Packing
2	14078500	(R) Styrofoam Packing
3	91150810	Vinyl Bag
4	14136700	Carton Case

### 6-2. SP-X8

#### Packing List

Parts No.	Stock No.	Description
1	14078600	(L) Styrofoam Packing
2	14078500	(R) Styrofoam Packing
3	91150810	Vinyl Bag
4	14136800	Carton Case

### 6-3. SP-X7

#### Packing List

Parts No.	Stock No.	Description
1	14078600	(L) Styrofoam Packing
2	14078500	(R) Styrofoam Packing
3	91150900	Vinyl Bag
4	14136600	Carton Case

### 6-4. SP-X6

#### Packing List

Parts No.	Stock No.	Description
1	14078600	(L) Styrofoam Packing
2	14078500	(R) Styrofoam Packing
3	91151100	Vinyl Bag
4	14136500	Carton Case

## 7. ACCESSORY LIST

### 7-1. SP-X9

#### Accessory List

Stock No.	Description
38341400	Speaker Cord
46125400	Operating Instruction

### 7-2. SP-X8

#### Accessory List

Stock No.	Description
38341400	Speaker Cord
46125500	Operating Instruction

### 7-3. SP-X7

#### Accessory List

Stock No.	Description
38341400	Speaker Cord
46125600	Operating Instruction

### 7-4. SP-X6

#### Accessory List

Stock No.	Description
38341400	Speaker Cord
46125700	Operating Instruction