

PARTS LIST FOR SANSUI SPEAKER SYSTEM

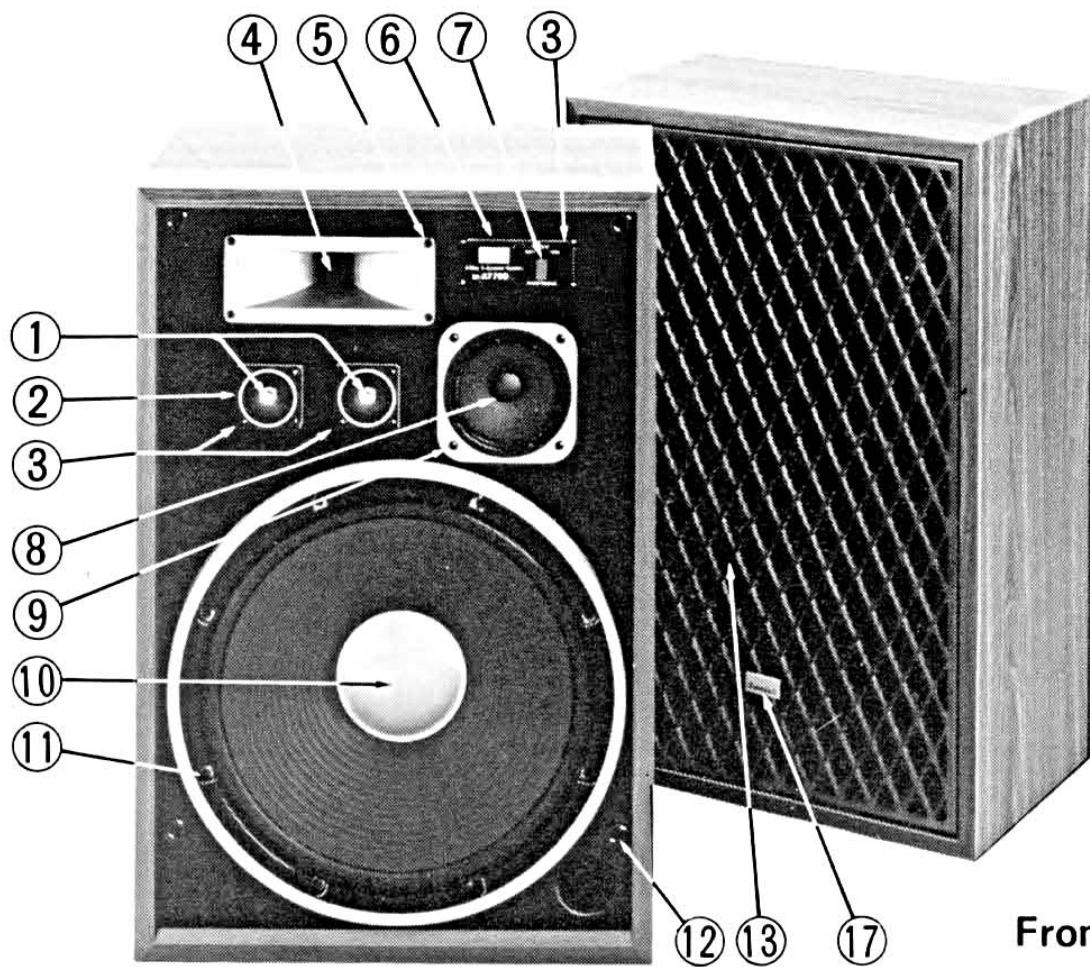
SP-X7700
SP-7300

SP-X7700/SP-7300

SANSUI ELECTRIC CO., LTD.
14-1, Izumi 2-Chome, Suginami-ku, Tokyo 168 Japan
TELEPHONE (03) 323-1111/TELEX. 232-2076

Sansui

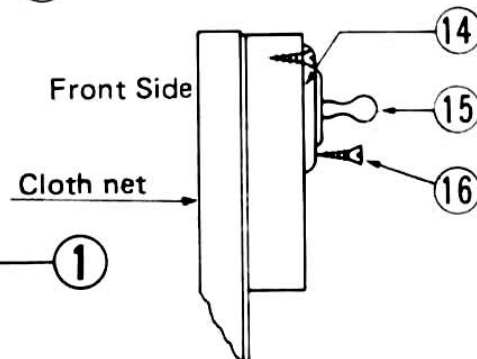
Front View



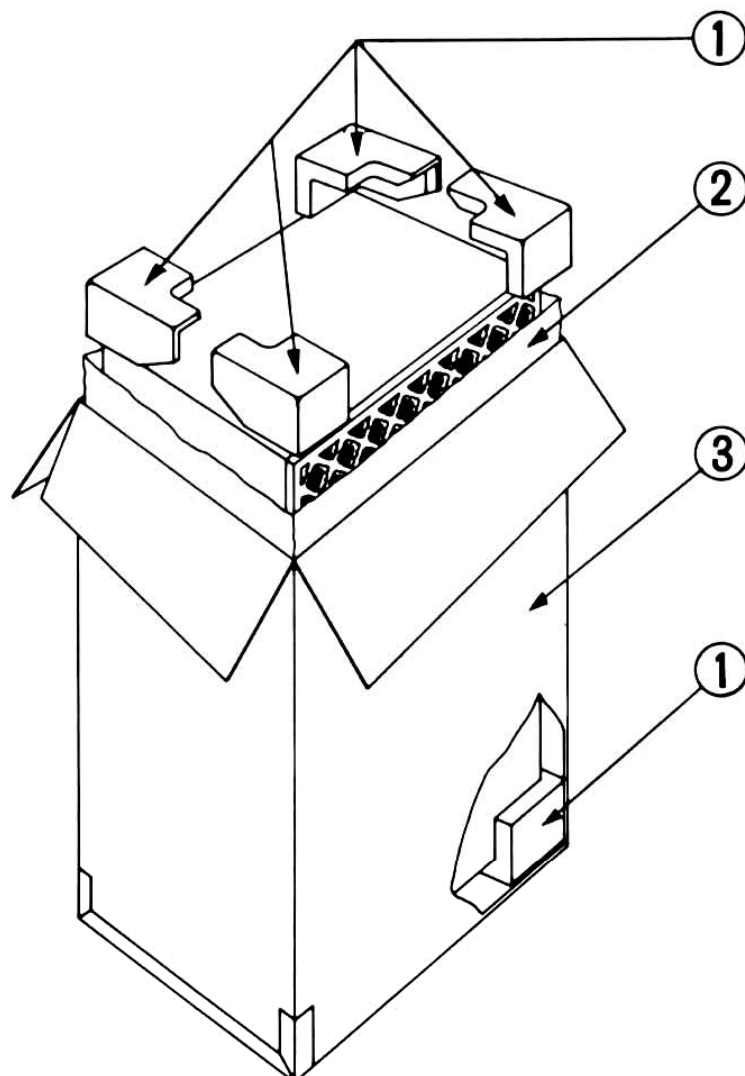
Parts List <Front View>

Parts No.	Stock No.	Description
1	4430830	T-167, Super Tweeter
2	5054052	Dress Cover for super tweeter
3	5140827	Screw, 3.1 x 16 mm
4	4430840	T-149B, Tweeter
5	5109904	Screw, 4 x 25 mm
6	5366000	Naming Plate (SP-X7700)
	5384480	Naming Plate (SP-7300)
7	5314080	Knob
	1101530	Rotary Switch
8	4420590	S-147, Midrange Speaker
9	5162620	Screw, 3 x 16 mm
10	4411170	W-192, Woofer
11	5101769	Screw, 4 x 25 mm
12	5294230	Latch
13	7180640	Front Grille Ass'y (SP-X7700)
	7194510	Front Grille Ass'y (SP-7300)
14	5294060	Support
15	5294220	Strike
16	5143818	Screw, 2.7 x 13 mm
17	5334540	Sansui Badge

Front Grille Ass'y



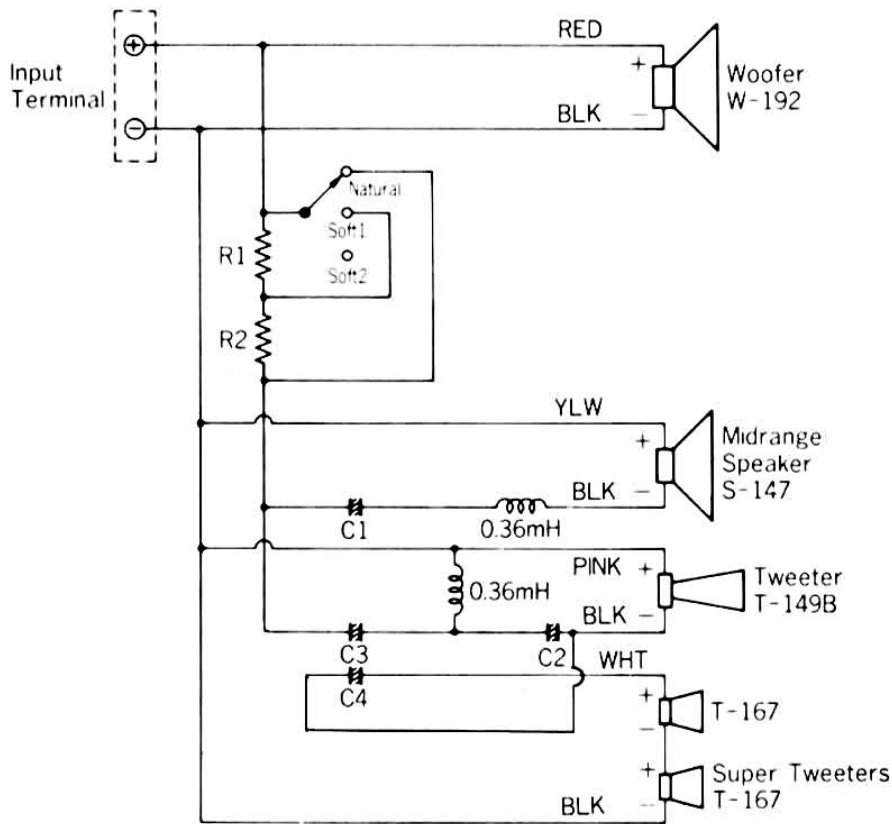
Packings



Parts List <Packings>

Parts No.	Stock No.	Description
1	9015180	Corner Packing (ea.)
2	9115150	Vinyl Bag
3	9003771	Carton Case (SP-X7700)
	9003820	Carton Case (SP-7300)
	Attachments	
	3834140	Speaker Cord
	9205070	Operating Instructions (SP-X7700)
	9205260	Operating Instructions (SP-7300)

Crossover Network



Parts List <Crossover Network>

Parts No.	Stock No.	Description
C1	0529530	8.2 μ F 50WV BP.E.C.
C2	0538689	6.8 μ F 50WV BP.E.C.
C3	0538478	0.47 μ F 50WV BP.E.C.
C4	0529525	3.3 μ F 50WV BP.E.C.
R1	0150829	8.2 Ω 10W Ce.R.
R2	0150479	4.7 Ω 10W Ce.R.
	1101530	Rotary Switch
	2210390	Input Terminal

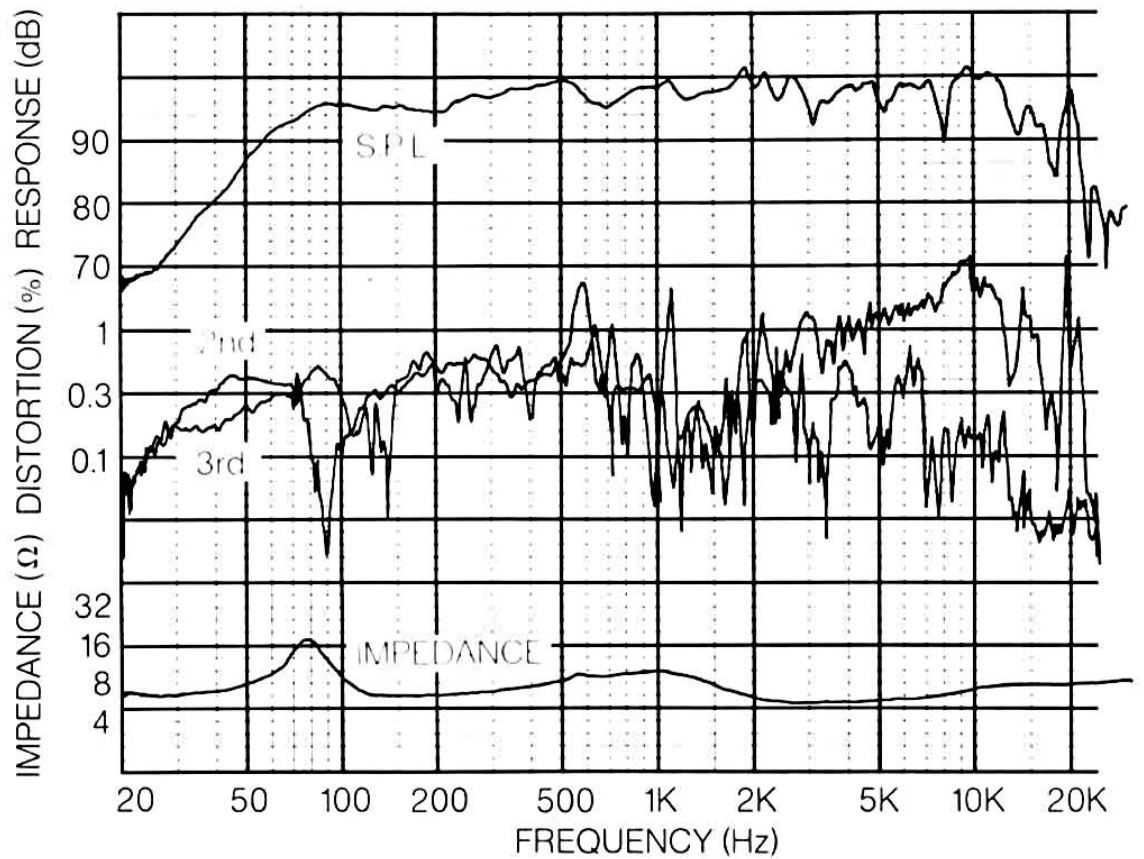
BP.E.C.: Bi-polar Electrolytic Capacitor.
Ce.R: Cement Resistor

Note: The completed crossover network board will not be supplied; however, each part shown in Part List above is provided to your orders.

Specifications

Speakers	
Woofer	406 mm (16") Cone-type
Midrange	121 mm (4-3/4") Cone-type
Tweeter	154 x 50 mm (6-1/16" x 2") Horn-type
Supertweeter	45 mm (1-13/16") x 2 Cone-type
Maximum input power 160 watts	
Impedance	8 ohms
Sensitivity	97 dB/W (at 1m)
Frequency range	40 to 22,000 Hz (in anechoic chamber) 25 to 22,000 Hz (in normal listening room)
Crossover frequencies	1,700 Hz, 4,000 Hz, 14,000 Hz
Enclosure	Bass reflex type Walnut grain vinyl finish
Dimensions	443 mm (17-7/16") W 661 mm (26-7/16") H 295 mm (11-5/8") D
Weight	17.6 kg (38.8 lbs) net 19.8 kg (43.4 lbs) packed

Design and specifications subject to change without notice for improvements.



MEMO

.....

.....

.....

.....

.....

.....

.....

.....

.....

.....

.....