



OPERATING INSTRUCTIONS



PM-9805 TURN TABLE

PRECAUTIONS

Thank you for purchasing this fine product – STEREO TURNTABLE.
Taking time to read these operation instructions carefully.

Read this manual carefully before using the unit and be sure to store the manual in a safe place for future reference.

1. Power sources

This product should be operated only from the type of power source indicated on the marking label. If you are not sure of the type of power supply to your home, consult your product dealer or local Power Company.

2. Do not block the ventilation holes

Do not block the ventilation holes. If objects are placed on top of this model, the heat generated inside will not be able to dissipate. This will cause the internal temperature to rise and will adversely affect the performance of the various parts. Remember that a great deal of heat is generated when the model is used for long periods of time at high power output levels.

3. Installation precautions

Do not install the unit in any of the following locations since this may result in a deterioration in performance or malfunction:

- Locations exposed to direct sunlight or near object radiating heat such as heating appliances.
- Locations exposed to moisture or humidity.
- Cartridge may pick up slight sound pressure or vibrations of the speakers coming along the floor or through the air resulting in feedback or howling sound. Find a location which is very stable and vibration free.
- The legs have functions for adjusting the height of the unit itself. Adjust the legs to stabilize the main body horizontally..

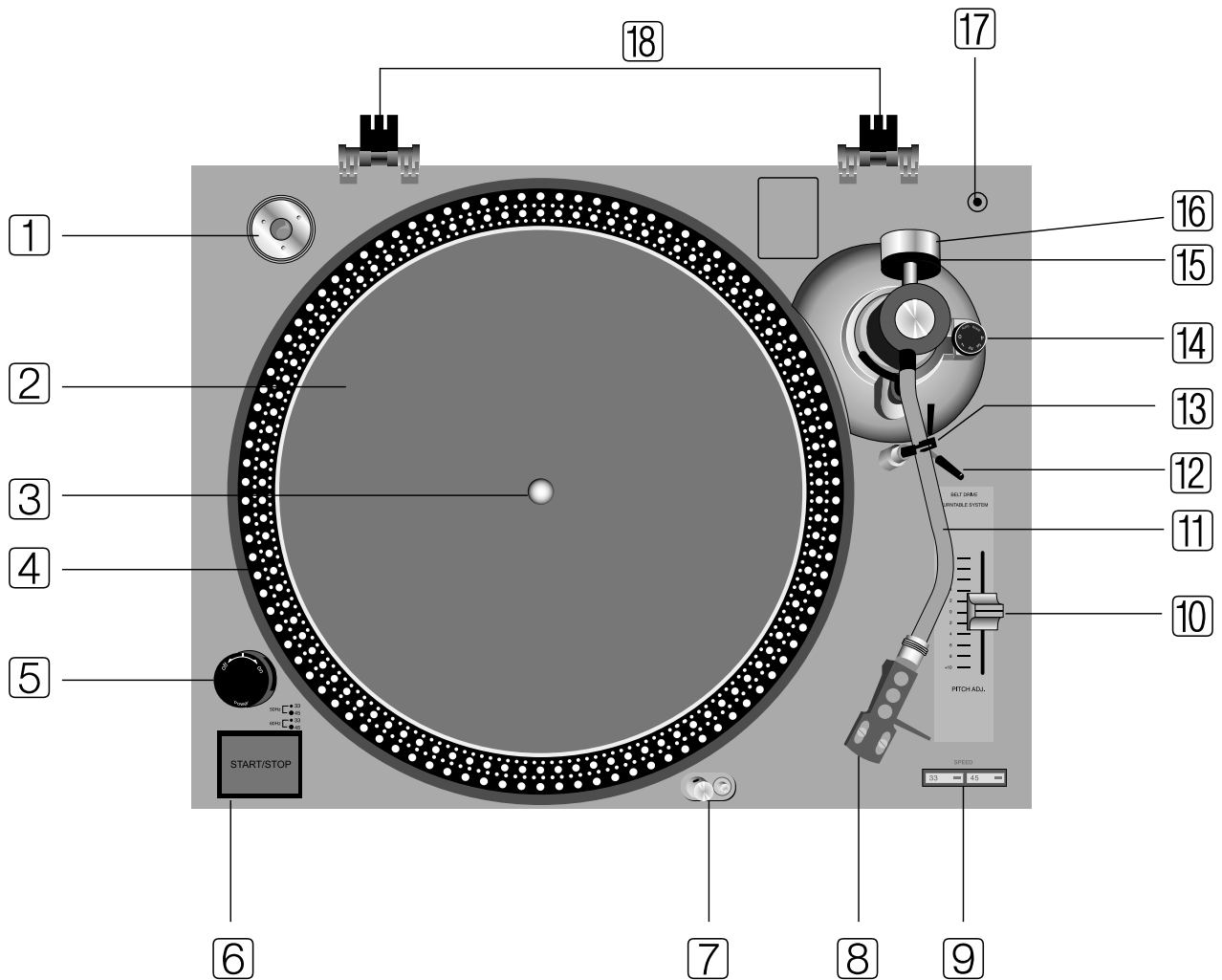
4. The model may not be able to perform at its best in an extremely cold environment. The optimum ambient temperature range is 0°C to 35°C.

OPERATION PRECAUTIONS

1. Always clean the stylus both before and after playing a record with a soft brush, and try to make it a rule to clean the record with a soft brush and try to make it a rule to clean the records with a good quality cleaner.
2. Be careful not to make the turntable vibrate while a record is playing, since this can result in damage to the stylus and record.
3. When clanging over the headshell, clamp the tonearm to the arm rest so that the tonearm shaft is not strained in any way.

4. Place only one record at a time on the platter. If two or more records are stacked on the platter, the stylus will not make proper contact with the grooves, and this will impair the quality of reproduction.
5. Volatile materials should not be used, such as : alcohol, thinner, benzene etc. They may remove the paint or damage the lustre, please avoid.

NAME OF THE PARTS



1. 45-rpm Adaptor
2. Slip Mat
3. Center Spindle
4. Strobe Dots
5. Power Switch / Strobe
6. Start/Stop Button
7. Target Light
9. Speed Select Buttons

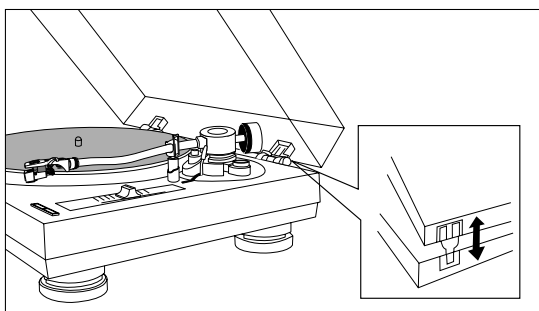
10. Pitch Control Slider (+/- 10%)
11. Tonearm
12. Cueing Lever
13. Arm Rest
14. Anti-skate Knob
15. Stylus-Pressure Ring
16. Counterweight
17. Position for Preparing Cartridge
18. Hinge for Dust Cover

ASSEMBLY

1. Please unpack set as confirm following parts.

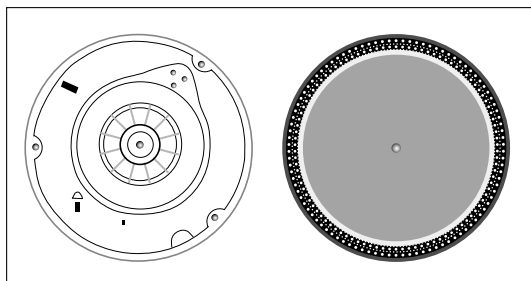
- Turntable platter
- Slip Mat
- Dust Cover
- 45-rpm adaptor
- Counterweight
- Headshell
- Operating Instructions

2. Install the dust cover into Hinge pocket of the upper cabinet.



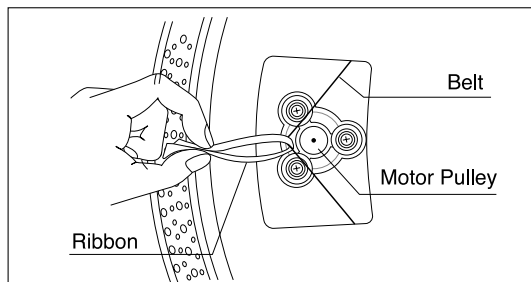
3. Set the 45-rpm adaptor on the main unit.

4. Set the turntable platter onto the [3] center spindle.



5. Attaching the Drive Belt

The belt has been properly positioned on the motor pulley, remove the ribbon and place the rubber mat and then set the slip mat on the [2] platter.



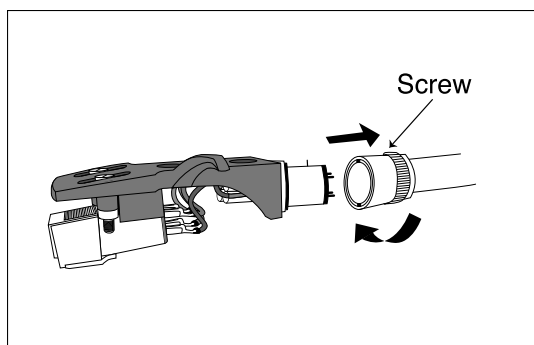
6. Installation of cartridge:

When installing a cartridge, refer to the operating instructions for that particular cartridge. During installation, attach the stylus protector to guard the stylus tip from damage.

a) Connect the lead wires to the cartridge terminals. The terminals of most cartridges are color coded. Connect each lead wire to the terminal of the same color.

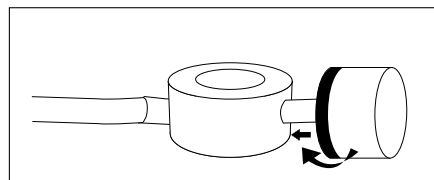
- | | |
|-----------|----------------|
| WHITE(L+) | Left channel+ |
| BLUE(L-) | Left channel- |
| RED(R+) | Right channel+ |
| GREEN(R-) | Right channel- |

b) Install the cartridge to the [8] headshell and tighten it with screws provided with the cartridge.



7. Insert the headshell into the front end of the [10] tonearm, then turn the lock nut counterclockwise with the [8] headshell firmly held horizontally.

8. Slide [16] counterweight onto [11] tonearm. Twist it lightly and it will screw onto the rear shaft of the tonearm.

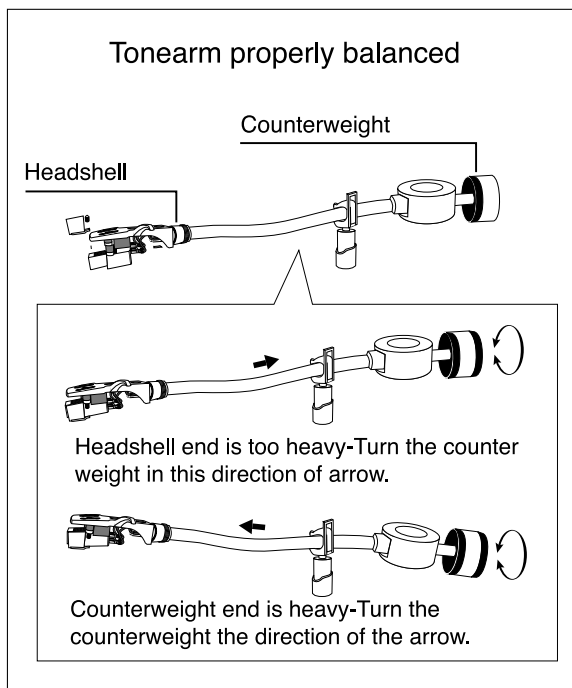


9. Set the [14] anti-skating control knob to the same value as the stylus.

ADJUSTING THE TONEARM

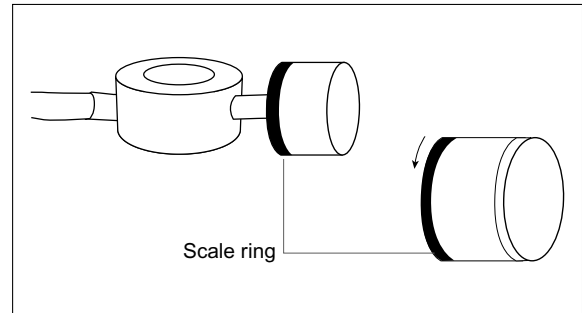
Level Balance Adjustment

1. Set the ANTI-SKATE knob to "0".
2. Release the arm clamp and move the tonearm to the space between the arm rest and the platter, taking care not to damage the stylus.
3. Set the CUEING lever to the down position.
4. Support the headshell's finger-lift with one hand and attain the level balance by turning the counterweight either clockwise or counter-clock wise. "Level balance" means that the tonearm is parallel to the record on the platter, and that the tonearm pipe, therefore, should not tilt toward the counterweight side or the headshell side.
5. Return the tonearm to the arm rest and fasten the arm clamp.
6. Since the tracking force is zero when the tonearm is balanced level, turn just the tracking-force scale ring in front of the counter-weight, and set the "0" on the scale to the index line on the shaft. When doing so, be sure to hold the counterweight with the other hand so that it does not turn together with the scale ring.



Tracking Force Adjustment

Turning the counterweight, set the correct tracking force opposite the index line on the counterweight shaft. The tracking-force scale ring has 0.25g steps and one full turn of the counterweight will yield a tracking force of 3g.

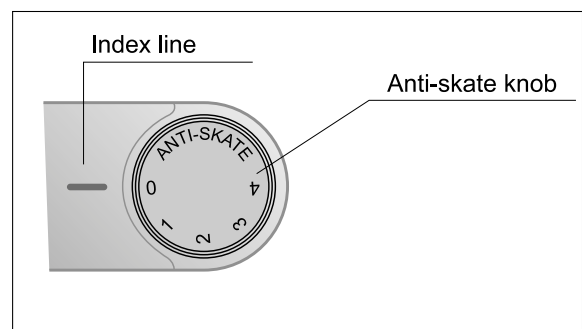


NOTE:

The MG-2831 cartridge that comes with the set has a tracking force of 2g. Turn the counterweight to the 2 mark.

Anti-Skating Adjustment

To adjust the Anti-skating mechanism, turn the Anti-Skate Knob so that the number corresponding to the required tracking force is opposite the index line. The numbers on the Anti-Skate Knob correspond to 1g of tracking force.



CONTROLS AND OPERATION

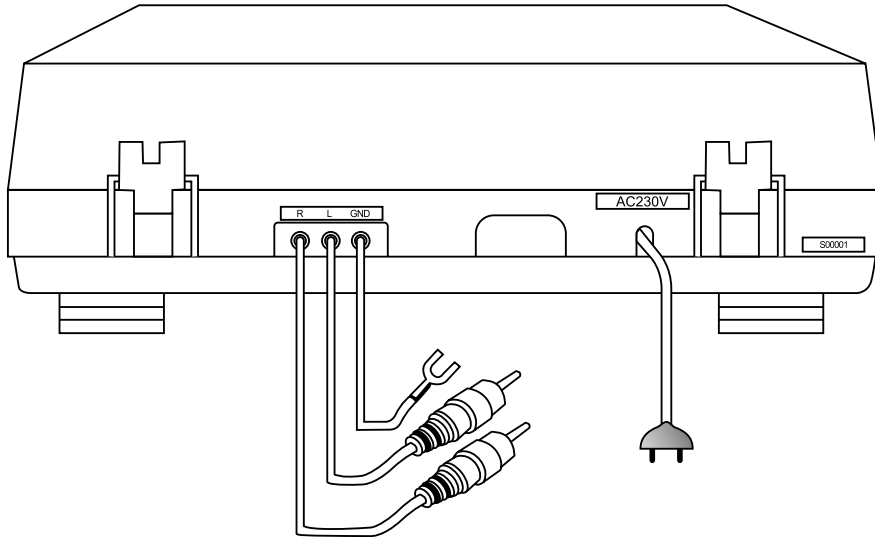


1. Turn the (On/Off Switch) clockwise to turn on the power, the speed indicator and the strobe-illuminator, which is located beneath the On/Off switch, will light up.
2. Place a record on the slip mat. When playing a 45-rpm record with a large center hole, place the 45-rpm adapter on the center spindle.
3. Set the speed to match the record.
4. Remove the stylus protector from the Headshell Stylus, release the Tonearm clamp.
5. Set the cueing lever to the up position.
6. Press the Start/Stop Button, the turntable platter will start to rotate.
7. Move the tonearm over the desired groove.
8. Set the cueing lever to the down position, the tonearm will descend slowly onto the record and begin playing.
9. When play is finished, raise the cueing lever, move the tonearm onto the Tonearm clamp.
10. Press the Start/Stop Button to stop the platter from rotating. Turn the On/Off Switch counterclockwise to turn off the power.

SUSPEND PLAY

Set the cueing lever to "UP" position during play, the stylus tip of the cartridge will be lifted from the record.

CONNECTIONS



This set's phono cables and ground lead are attached to the rear panel of the turntable. The phono cable with the white plug is for the left channel and the one with the red plug is for the right channel. The thin wire with the Y-shaped connector at the end is the ground lead.

This should be firmly connected to the ground terminal on the mixer.

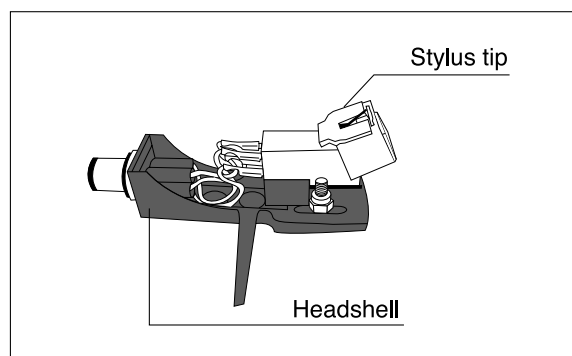
The way in which the phono cables are attached will depend on the type of cartridge used. Read the instructions in the booklet that comes with the cartridge as well as the operating instructions of the mixer and connect the phono cables properly.

Finally, plug the power cord into the power consent.

STYLUS REPLACEMENT

The life expectancy of the stylus tip is 500 hours. For the sake of maximum sound quality reproduction, we recommend replacement within the minimum time limit.

1. The stylus tip is replaced by grasping the stylus holder and pulling it away from the body of the cartridge.
2. The new stylus tip is then inserted by pushing it into the receptacle.

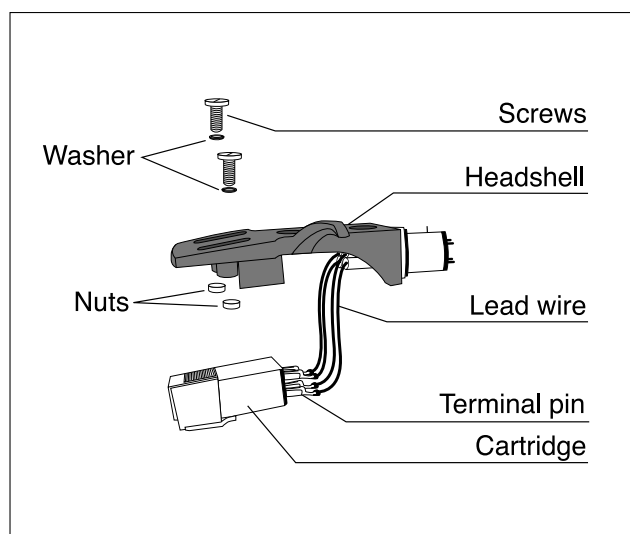


CARTRIDGE REPLACEMENT

Remove the headshell from the tonearm, and the screws that hold the cartridge. Pull out the four lead wires from the cartridge itself. To protect the lead wires at this point, remove the terminal pins with pliers or the tip of the screwdriver.

The terminals on the accessory headshell are aligned according to the arrangement below. Check the location and polarity of each of the cartridge's terminal pins and then connect the lead wires, taking care not to get the polarities mixed up.

- Red : Right channel
- White : Left channel
- Green : Right channel ground
- Blue : Left channel ground



GENERAL SPECIFICATION

1. APPLICATION :

This specification applies to the belt drive turntable unit PM-9805

2. STANDARD TEST CONDITION :

2-1	Ambient Temperature	23 A 2LC
2-2	Relative Humidity	65% A 5%

NOTE : Measurements can be carried out between 5LC and 45% to 85% relative humidity.

3. TURNTABLE SECTION:

3-1	Type	2-speed full manual
3-2	Motor	DC motor
3-3	Driving Method	belt drive
3-4	Turntable plater	330mm dia. Plastic
3-5	Speeds	33-1/3 and 45 rpm
3-6	Wow and Flutter	Less than 0.25% WRMS(JIS WTD)
3-7	S/N ratio	More than 50 dB(DIN-B)
3-8	Pitch Controls	+/- 10%
3-9	Starting Time	Less than 1 sec.
3-10	Time for speed change	Less than 1 sec.
3-11	Speed tolerance at pitch=0	Within +/- 1.3%
3-12	High of cue (first track)	Normal 7~9.5mm, Limit 6~10.5mm

4. TONEARM SECTION

4-1	Type	Static balanced S-shaped tone arm with detachable headshell
4-2	Effective Arm Length	220mm
4-3	Overhang	10mm
4-4	Tracking error	Less than 3 degree
4-5	Tracking Force Adjustment range	0-4g
4-6	Applicable cartridge weight	6-10g
4-7	Anti-skating range	0-4g
4-8	Tracking force range of attached cartridge	3.5 +/-0.5g

5. GENERAL SECTION:

5-1	Power Supply	AC 230V ~ 50Hz
5-2	Power consumption	8 Watts
5-3	Dimensions	450(W) × 350(D) × 139(H) mm
5-4	Weight	4.38Kgs

6. ACCESSORIES SUPPLIED

7. SPECIFICATION:

DESCRIPTIONS	UNIT	NOMINAL	LIMIT
(1) Output Difference	dB	2.3	2.5
(2) Output Level	mv	1.7~3.5	1.5~3.5
(3) Speed (Speed range)	Hz	2.7K ↓, 3.3K ↑	2.7K ↓, 3.27K ↑
(4) Speed (Center Range)	Hz	2970~3030	2965~3030
(5) Wow and Flutter	%	0.23	0.25
(6) Channel separation	dB	16	15

TROUBLE SHOOTING

Sometimes, an operational fault can be mistaken for a malfunction or failure. Check the following points and see if you can find the symptoms of the trouble below before you get in touch with the serviceman. If you cannot locate the symptoms, contact your nearest dealer.

Symptom	Possible Trouble	Remedy
Platter does not rotate.	Power cord is unplugged.	Plug cord securely into wall outlet.
No Sound	Phono cables are not connected properly.	Connect cables securely to the PHONO input jacks on the amplifier(see page 5).
	Headshell is not properly attached.	Firmly secure tonearm locking collar (see page 2).
	Cartridge lead wires are loose.	Attach lead wires inside headshell properly.
	Amplifier is not being operated properly. (function switch, tape monitor switch, speak switches, etc. are not set correctly).	Read the operating instructions that come with amplifier.
Musical tempos off.	Platter speed is not set properly.	Refer to "Controls and operation" and their uses on page 4.
	SPEED ADJUSTMENT knob is not set properly in accordance with the platter speed.	Refer to "Operating Procedure" on page 5.
Excessive noise.	Ground lead is not connected.	Connect properly to the amplifier's ground terminal (see page 6).
	Tracking for is not correct.	Refer to tracking force adjustment on page 3.
	Dust or dirt has collected on the stylus tip.	Clean the stylus tip with a soft brush.
	Dust or dirt has collected on the record.	Clean the record with a good quality cleaner.
Sound is distorted.	Dust or dirt has collected on the stylus tip.	Clean the stylus tip with a soft brush.
	Tracking force is not correct.	Refer to tracking force adjustment on page 3.
	Stylus is worn.	Replace with new stylus.
	Amplifier's tone controls are set too high.	Set tone controls to lower position.
Tonearm does not descend.	Cueing Lever is set to UP position.	Set to DOWN position.
	Tracking force is not correct.	Refer to tracking force adjustment on page 3.
Intermittent sound.	Tracking force is not correct.	Refer to tracking force adjustment on page 3.
	Stylus is worn.	Replace with new stylus.
	Record is scratched or warped.	Replace record.