

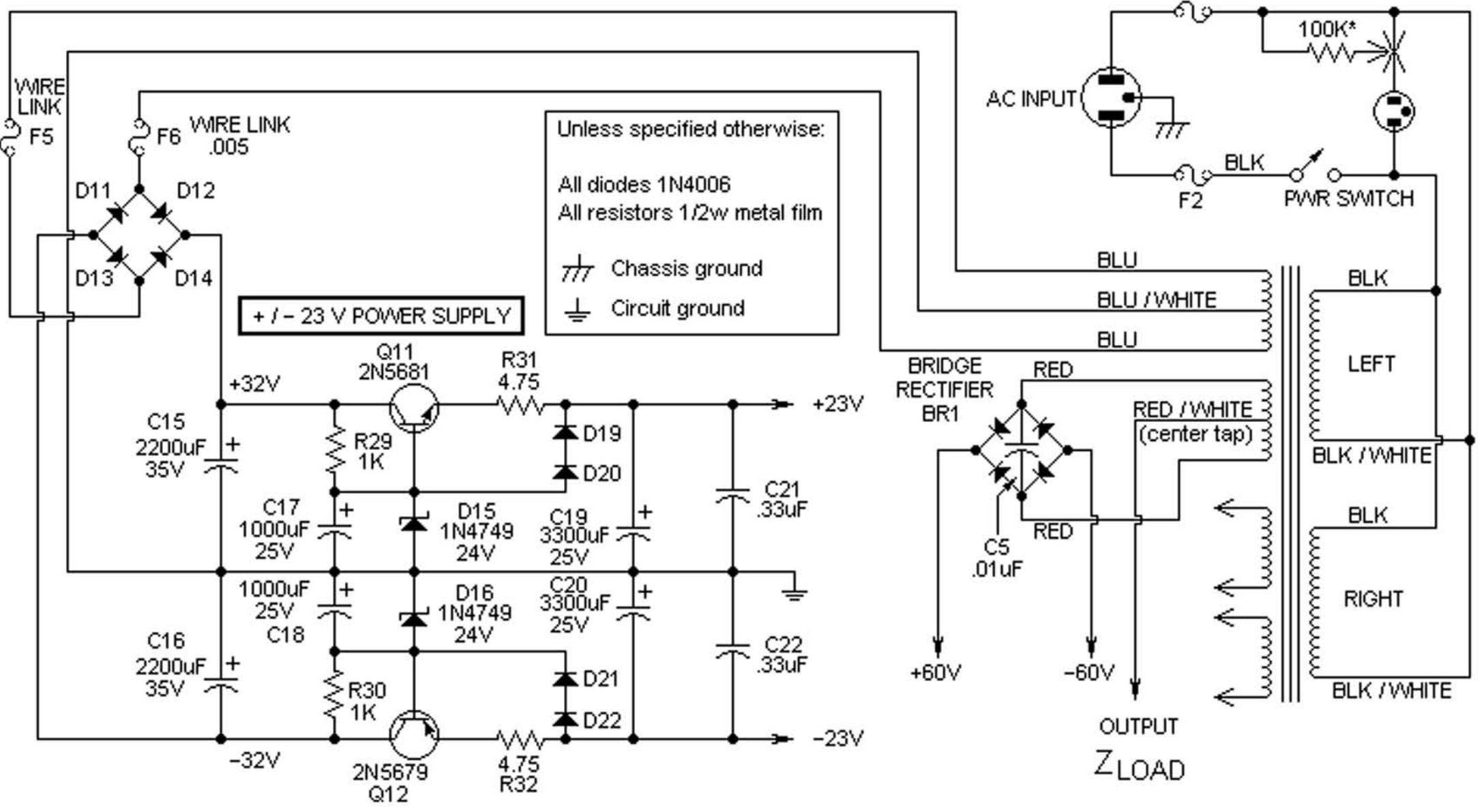


ACOUSTAT

TRANS - NOVA TWIN 120 page 1

Unless specified otherwise:  
 All diodes 1N4006  
 All resistors 1/2w metal film  
 Chassis ground  
 Circuit ground

\* for 220-240 VAC only



ACOUSTAT

TRANS - NOVA TWIN 120 page 2