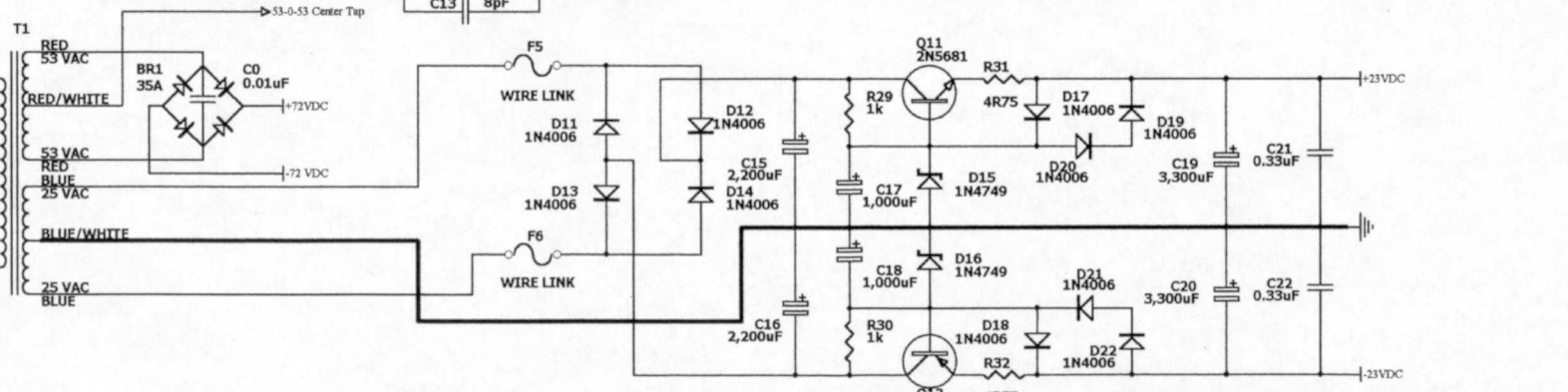
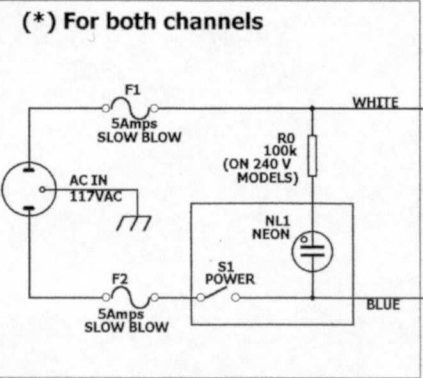


FEEDBACK BRIDGE ELEMENTS

- A = anisotropic
- B = black
- C = complementary



Title		
Size	Number	Revision
A3		
Date:	15-Feb-2002	Sheet of
File:	D:\EJ\ACOUT200\ATWIN200.SCH	Drawn By:

ALL RESISTORS: 1%, 1/2 WATT, METAL FILM
Unless otherwise noted

Designator	Value	Tolerance	V rated	Material	Manufacturer	Remarks
Copt	200pF	10%		POLYPROPYLENE		Optional capacitor to avoid HF input
C0	0.01uF	10%	250VAC			
C1	0.1uF			CERAMIC DISC		
C2	47uF		35VDC	ELECTROLYTIC		
C3	0.33uF	10%	250VAC	POLYPROPYLENE		
C4	22pF			SILVER MICA		
C5	???					missing in the original schematic or maybe it was C0, but unreadable
C6	4uF	5%	250VAC	POLYPROPYLENE		
C7	4uF	5%	250VAC	POLYPROPYLENE		
C8	20,000uF		75VDC	ELECTROLYTIC		
C9	20,000uF		75VDC	ELECTROLYTIC		
C10	0.33uF	10%	250VAC	POLYPROPYLENE		
C11	0.33uF	10%	250VAC	POLYPROPYLENE		
C12	220uF		35VDC	NON-POLARIZED		
C13	8pF	+/-1pF	x	SILVER MICA		
C14	620pF	2%	x	POLYSTYRENE		
C15	2,200uF		35VDC	ELECTROLYTIC		
C16	2,200uF		35VDC	ELECTROLYTIC		
C17	1,000uF		25VDC	ELECTROLYTIC		
C18	1,000uF		25VDC	ELECTROLYTIC		
C19	3,300uF		25VDC	ELECTROLYTIC		
C20	3,300uF		25VDC	ELECTROLYTIC		
C21	0.33uF	10%	250VAC	POLYPROPYLENE		
C22	0.33uF	10%	250VAC	POLYPROPYLENE		
C23	0.01uF	10%	250VAC	POLYSTYRENE		
C24	0.01uF	10%	250VAC	POLYSTYRENE		
C25	0.1uF	10%		CERAMIC DISC		
C26	0.1uF	10%		CERAMIC DISC		
Diodes						
Designator	Value	Tolerance	V rated	Material	Manufacturer	Remarks
D1	1N4148			GLASS		
D2	1N4148			GLASS		

D3	1N4148			GLASS		
D4	1N4148			GLASS		
D5	1N4751	30V	DO41	GLASS		
D6	1N4006		DO41	PLASTIC		
D7	1N4006		DO41	PLASTIC		
D8	1N4006		DO41	PLASTIC		
D9	1N4006		DO41	PLASTIC		
D10	1N4006		DO41	PLASTIC		
D11	1N4006		DO41	PLASTIC		
D12	1N4006		DO41	PLASTIC		
D13	1N4006		DO41	PLASTIC		
D14	1N4006		DO41	PLASTIC		
D15	1N4749	24V	DO41	GLASS		
D16	1N4749	24V	DO41	GLASS		
D17	1N4006		DO41	PLASTIC		
D18	1N4006		DO41	PLASTIC		
D19	1N4006		DO41	PLASTIC		
D20	1N4006		DO41	PLASTIC		
D21	1N4006		DO41	PLASTIC		
D22	1N4006		DO41	PLASTIC		
BR1	x	35 A		Diode Bridge		

Transistors

Designator	Value	Tolerance	V rated	Material	Manufacturer	Remarks
Q1	VN0106		TO39	with heatsink	Supertex	TO39-SUPERSEDED
Q2	VN0106		TO39	with heatsink	Supertex	TO39-SUPERSEDED
Q3	VP0106		TO39	with heatsink	Supertex	TO39-SUPERSEDED
Q4	VN1306		TO39	with heatsink	Supertex	TO39-still available
Q5	2SK135		TO3	on heatsink	Hitachi	Available c/o SEMELAB
Q6	2SJ50		TO3	on heatsink	Hitachi	Available c/o SEMELAB
Q7	2SK135		TO3	on heatsink	Hitachi	Available c/o SEMELAB
Q8	2SJ50		TO3	on heatsink	Hitachi	Available c/o SEMELAB
Q9	2SK135		TO3	on heatsink	Hitachi	Available c/o SEMELAB
Q10	2SJ50		TO3	on heatsink	Hitachi	Available c/o SEMELAB
Q11	2N5681		TO39	with heatsink	Semelab	
Q12	2N5679		TO39	with heatsink	Semelab	

Resistors

Designator	Value	Tolerance	V rated	Material	Manufacturer	Remarks
R0	100k	5%	RN55	1/2W, Metal film		ON 240 V

						MODELS
R1	4R75	5%	RN55	1/2W, Metal film		
R2	47k5	1%	RN55	1/2W, Metal film		
R3	1k	1%	RN55	1/2W, Metal film		
R4	1k	1%	RN55	1/2W, Metal film		
R5	1k	1%	RN55	1/2W, Metal film		
R6	68R1	1%	RN55	1/2W, Metal film		
R7	68R1	1%	RN55	1/2W, Metal film		
R8	1k27	1%	RN55	1/2W, Metal film		
R9	1k	1%	RN55	1/2W, Metal film		
R10	1k	1%	RN55	1/2W, Metal film		
R11	1k	1%	RN55	1/2W, Metal film		
R12	100	1%	RN55	1/2W, Metal film		
R13	10k	1%	RN55	1/2W, Metal film		
R14	1k	1%	RN55	1/2W, Metal film		
R15	100	1%	RN55	1/2W, Metal film		
R16	200	10%		BIAS TRIMMER		
R17	475	1%	RN55	1/2W, Metal film		
R18	475	1%	RN55	1/2W, Metal film		
R19	475	1%	RN55	1/2W, Metal film		
R20	221	1%	RN55	1/2W, Metal film		
R21	221	1%	RN55	1/2W, Metal film		
R22	221	1%	RN55	1/2W, Metal film		
R23	100k	10%		OFFSET TRIMMER		
R24	332k	1%	RN55	1/2W, Metal film		
R25	1k	1%	RN55	1/2W, Metal film		
R26	316k	1%	RN55	1/2W, Metal film		
R27	33k2	1%	RN55	1/2W, Metal film		
R28	4k7	5%		5W, Metal Oxide Film		
R29	1k	1%	RN55	1/2W, Metal film		
R30	1k	1%	RN55	1/2W, Metal film		
R31	4R75	1%	RN55	1/2W, Metal film		
R32	4R75	1%	RN55	1/2W, Metal film		
Load 2-8 Ohm				SPEAKER		
Fuses						
Designator	Value	Tolerance	V rated	Material	Manufacturer	Remarks
F1	5 Amps			SLOW BLOW		
F2	5 Amps			SLOW BLOW		
F3	5 Amps			SLOW BLOW		
F4	5 Amps			SLOW BLOW		
F5	0.005" diam			WIRE LINK		

F6	0.005" diam			WIRE LINK		
Miscellaneous						
Designator	Value	Tolerance	V rated	Material	Manufacturer	Remarks
T1				Transformer		1 Prim 117VAC, 4 dual Secs
J1				Connector		INPUT
NL1				Neon Lamp		
S1				Power Switch		
AC IN				SOCKET		117VAC AC LINE