



# ADC 220X ADC 220XE

STEREO  
CARTRIDGES

**AUDIO DYNAMICS CORPORATION**

## SPECIFICATIONS

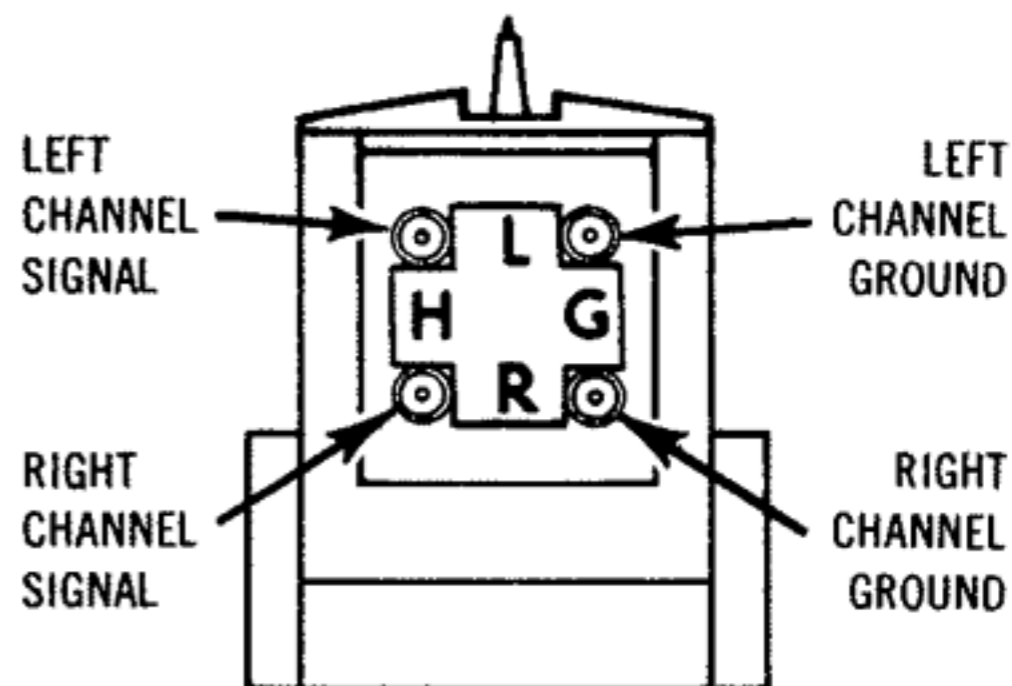
	ADC 220X	ADC 220XE ELLIPTICAL STYLUS
<b>Type</b>	Induced magnet *	Induced magnet *
<b>Output</b>	6 mv at 5.5 cms/sec recorded velocity	6 mv at 5.5 cms/sec recorded velocity
<b>Tracking Force</b>	1.2 grams	1.2 grams
<b>Frequency Response</b>	10 Hz to 18 KHz $\pm$ 3 db	10 Hz to 18 KHz $\pm$ 3 db
<b>Channel Separation</b>	20 db from 50 Hz to 10 KHz	20 db from 50 Hz to 10 KHz
<b>Compliance</b>	$20 \times 10^{-6}$ cms dyne	$20 \times 10^{-6}$ cms dyne
<b>Stylus Tip</b>	Spherical .0007" radius	Elliptical Stylus Contact radius: .0003" Lateral radius: .0007"
<b>Vertical Tracking Angle</b>	15 degrees	15 degrees
<b>Recommended Load Impedance</b>	47,000 ohms nominal not critical	47,000 ohms nominal not critical

ADC also manufactures other high quality Audio Components including Loudspeaker Systems, Solid State Receivers and Amplifiers.

## INSTALLATION

The cartridge is mounted in the tone arm by means of the two #3-48 screws that are supplied. Tone arm mounting centers of either 1/2" or 7/16" are compatible with this cartridge.

**CAUTION:** Do not solder leads to push on terminals while they are mounted on the cartridge terminal pins. The heat may cause permanent damage to the cartridge.



## GROUNDING

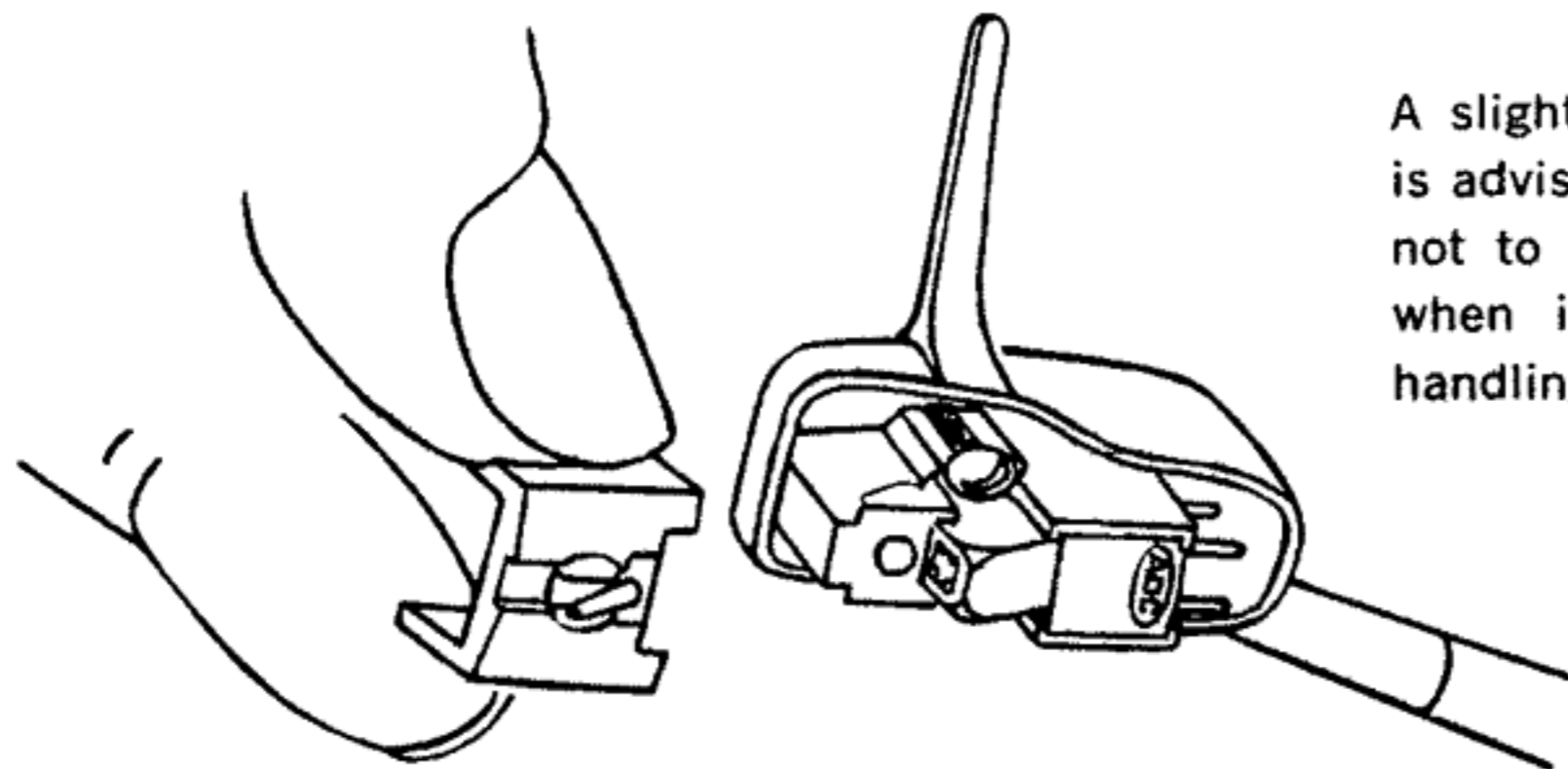
This ADC stereo cartridge is fully mu-metal shielded against stray hum fields. However, hum can still be introduced in the system by incorrect grounding of the tone arm and turntable. The tone arm body and turntable should be individually connected to the amplifier ground terminal or chassis. This ground point should preferably be close to the pickup input ground.

## PICKUP CABLES TO AMPLIFIER

The insulated shielded cables that connect the tone arm and amplifier should be no longer than 5 feet, otherwise the capacitance of the cable will start to attenuate the high frequency response of the cartridge.

## STYLUS REPLACEMENT

The Replacement Stylus Assemblies for the ADC 220X and the ADC 220XE Cartridges are, respectively, the R-20X and the R-20XE.



A slight push to assure seating is advisable. Care must be taken not to harm the delicate stylus when installing or otherwise handling.

**Only an ADC stylus manufactured by Audio Dynamics Corporation will provide you with the finest quality performance from your cartridge, while preserving your valuable record collection from wear.**

## WARRANTY

We warrant this ADC cartridge to be free of manufacturing defects for a one year period from the date of factory shipment. During that time, should a defect occur, the unit will be repaired or replaced without cost. The enclosed warranty card should be filled out and returned to us within 10 days of purchase, otherwise the warranty will not apply. This warranty covers neither stylus wear, nor damage caused by accident or mishandling.

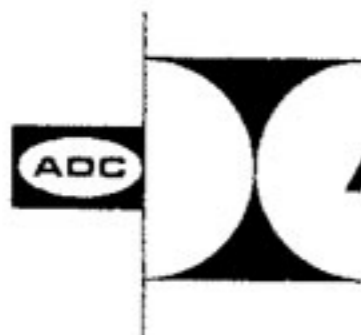
## ADC SERVICE OFFER

There are times when a stylus may be accidentally damaged, and a nominal charge will be made for any such damage which is not covered by the terms of our warranty. Provided the diamond stylus is in good condition, the defective unit will be repaired upon receipt of both the defective stylus and a check to cover the service cost. The check and defective stylus should be sent to the CUSTOMER SERVICE department of Audio Dynamics at the address shown below.

The charge for servicing the R-20X stylus is \$6.00\* (ADC-220X)

The charge for servicing the R-20XE stylus is \$8.00\* (ADC-220XE)

\* Plus 50c for postage and handling. Offer good only in the Continental United States.



# AUDIO DYNAMICS CORPORATION

PICKETT DISTRICT ROAD, NEW MILFORD, CONNECTICUT 06776

Audio Dynamics Corporation reserves the right to change the design or specification and/or to make any improvements or additions in any of its products without being obligated to incorporate such changes in its products previously manufactured.