

- NOTES: UNLESS OTHERWISE SPECIFIED
- 1 COMPONENT REQUIRES HEATSHIUK (MS6791B-PZ).
  2. R108 AND R109 INSTALLED FOR 115VAC INPUT.
  3. R101 NOT INSTALLED.
  4. R102 INSTALLED FOR 230VAC INPUT. R108 AND R109 NOT INSTALLED.
  5. OPTIONAL COMPONENTS INSTALLED FOR DEEMPHASIS.

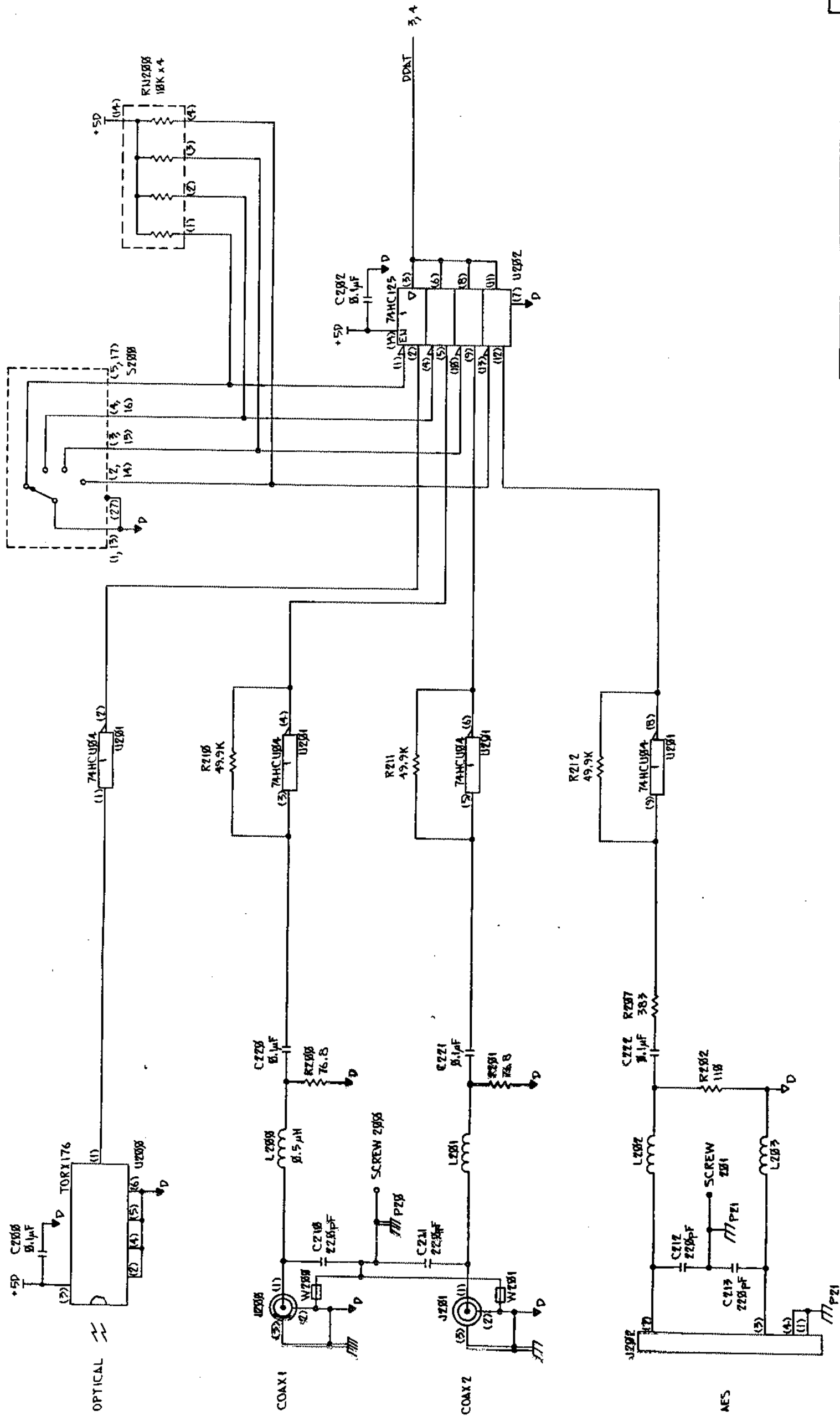
GDA - 600

ECO. NO.	REV.	DATE	DRAWN	CHECKED	RELEASED	USED ON
1		7/24/77	AKTEK			
2		7/27/77				
3		7/27/77				
4		7/27/77				
5		7/27/77				
6		7/27/77				
7		7/27/77				

ULTRAANALOG, INC.  
Administering the Analog Art.

OMICRON I POWER SUPPLY

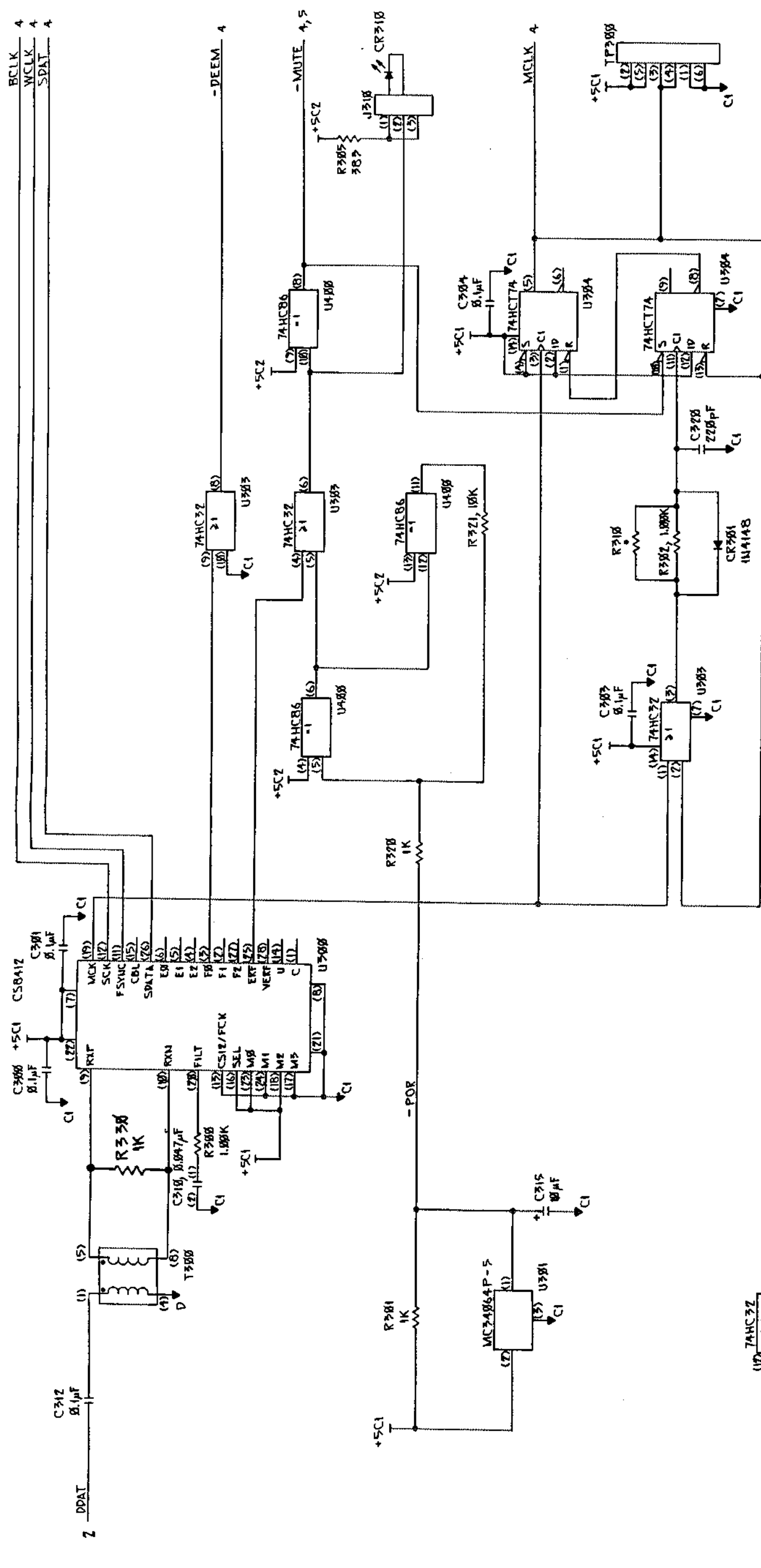
DRAWING NO. OMICRON I/DSCH SHEET 1 OF 5



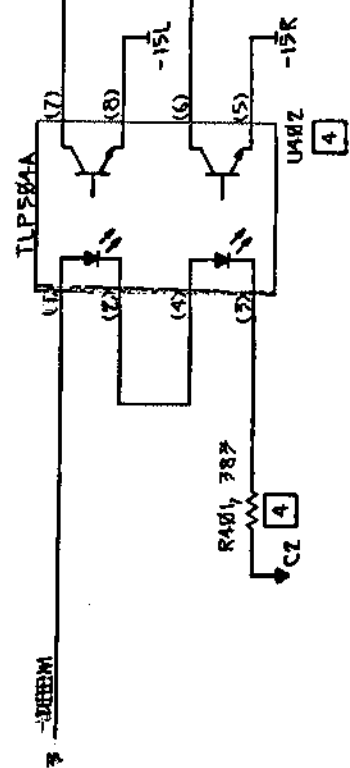
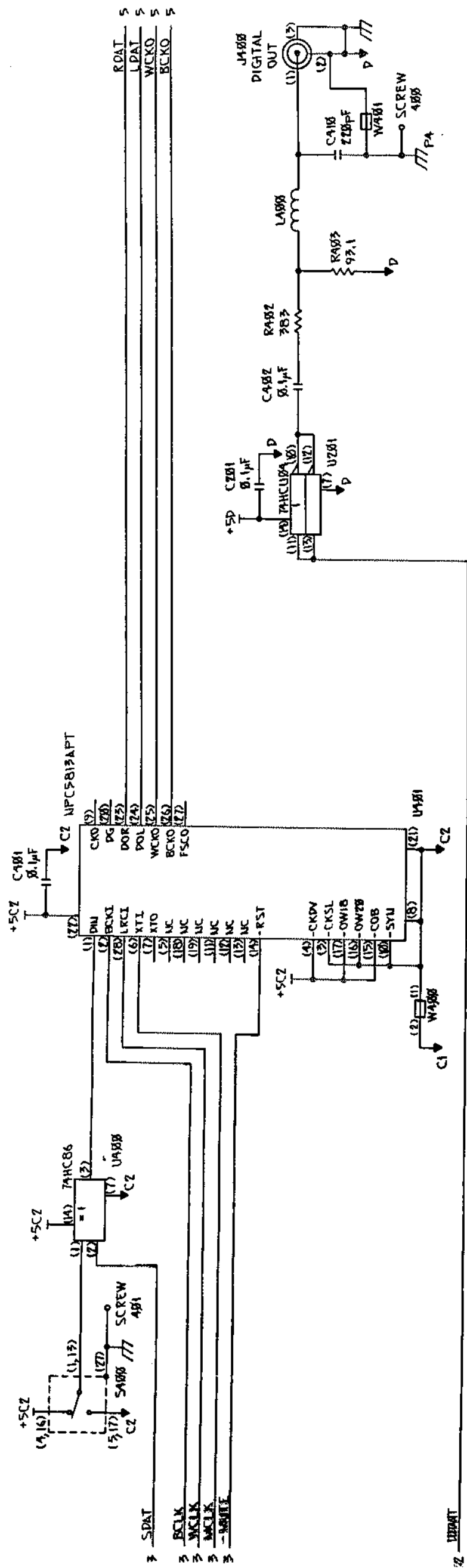
ECO NO.	REV	DATE	DRAWN	CHECKED	RELEASED:	USED ON
1	1	5/28/99	AKTER			
2	2	7/21/99				
3	3	7/15/99				
4	4	5/10/99				
5	5	6/10/99				
6	6	6/10/99				
7	7	7/1/99				

TITLE: OMICRON1 INPUT MULTIPLEXING  
 DRAWING NO.: OMICRON1/D5CH  
 SHEET 2 OF 5

ULTRAAANALOG, INC.  
 Advancing the Analog Art.



USED ON			
ECD NO.	REV	DATE	DRAWN
	1	7/28/99	AKTEK
	2	7/21/99	
	3	9/15/99	
	4	9/15/99	
	5	10/9/99	
	6	10/9/99	
	7	11/5/99	
RELEASED:			
ULTRANALOG, INC.			
Addressing the Analog Era.			
TITLE			
OMICRON1			
DATA DECODING AND			
DUTY CYCLE RECOVERY			
DRAWING NO.			
OMICRON1/P5SCH			
SHEET 3 OF 5			



DEMIL 5

DEMIL 5

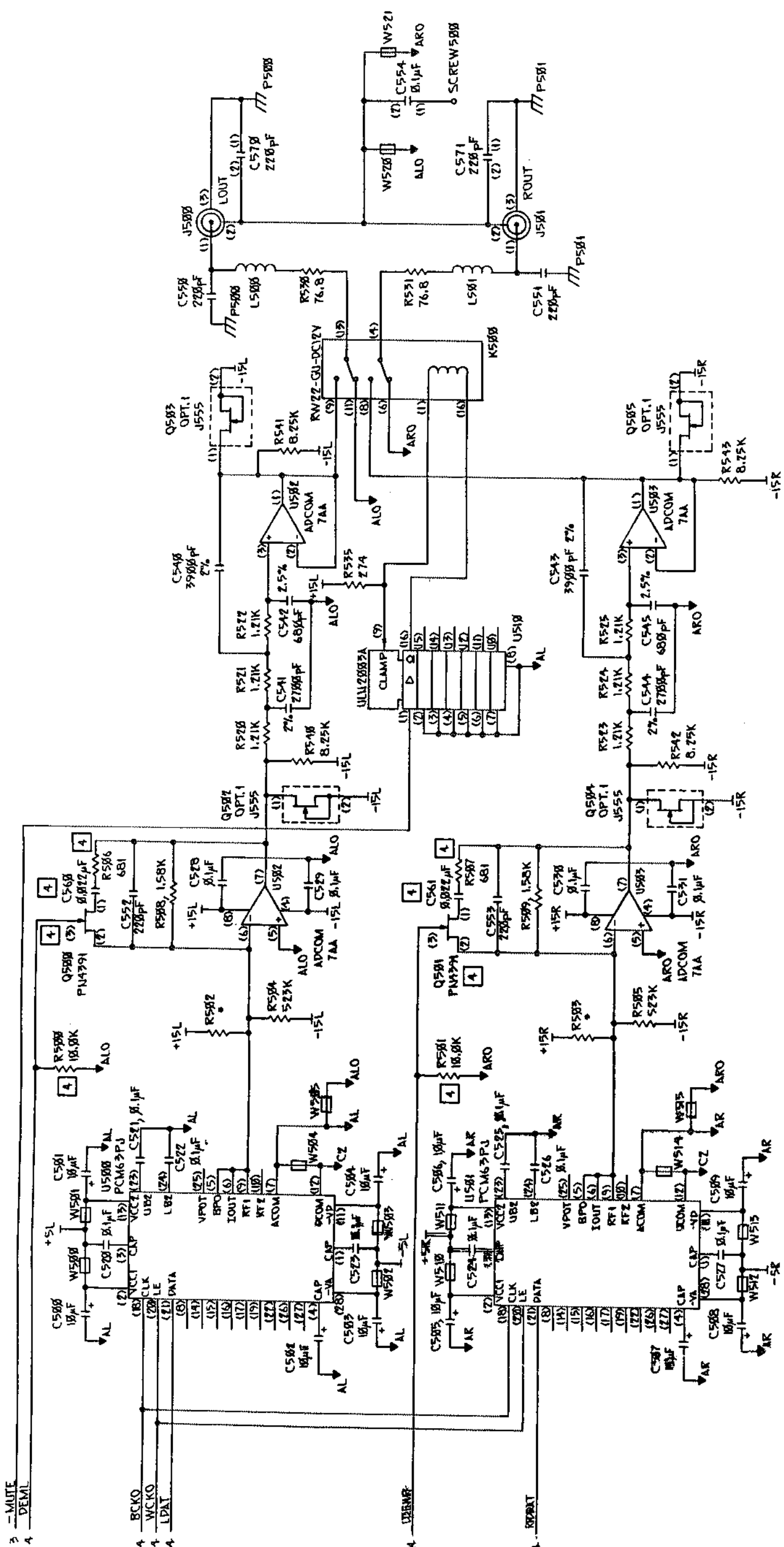
ECO NO.	REV	DATE	DRAWN	CHECKED	RELEASED:	USED ON
1	1	5/21/77	AKTER			
2	2	7/21/77				
3	3	7/21/77				
4	4	7/21/77				
5	5	6/10/78				
6	6	6/10/78				
7	7	6/10/78				

RELEASED: ULTRASONALOG, INC. *Manufacturing the Analog A/D*

TITLE: OMICRON I OVERSAMPLING FILTER AND DIGITAL OUTPUT

DRAWING NO: OMICRON I/P 584

SHEET 4 OF 5



3 - MUTE  
4 - DEMUL

4 - BCKO  
4 - WCKO  
4 - LPAT

4 - 128MAR

4 - 128RMT

ECO NO.	REV	DATE	DRAWN	CHECKED	RELEASED	USED ON
	1	9/26/79	AKTER			
	3	7/21/99				
	4	7/15/99				
49	5	10/98				
63	6	8/98				
	7	11/98				

ULTRANALOG, INC  
Address: 10000 Ave. 100, San Jose, CA 95131

TITLE  
OMICRON ANALOG OUTPUT

DRAWING NO. OMCRON1/D5CH  
SHEET 5 OF 5