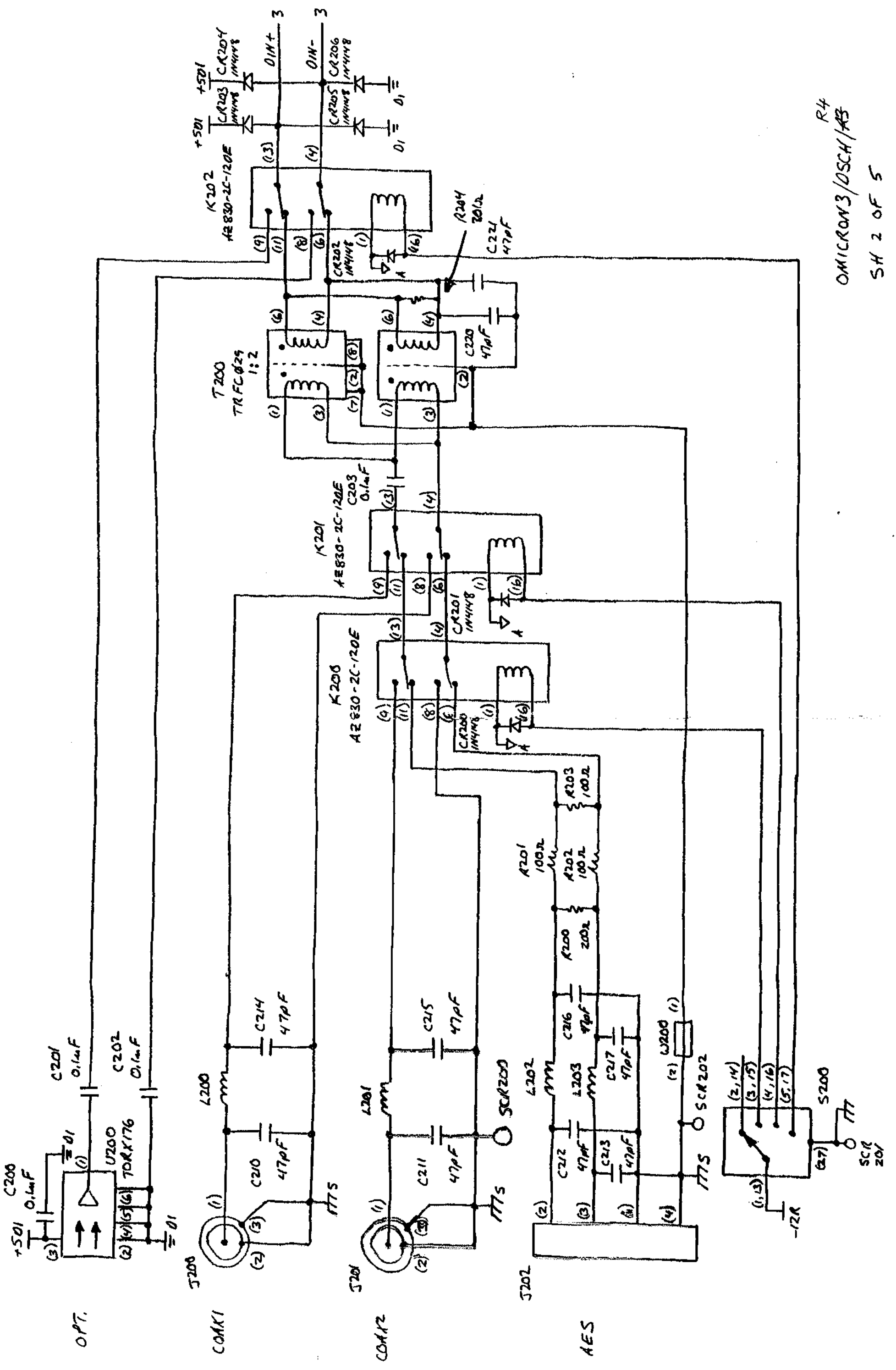


REQUIRES HS63916-P2

OMICRON3/OSCH/A3

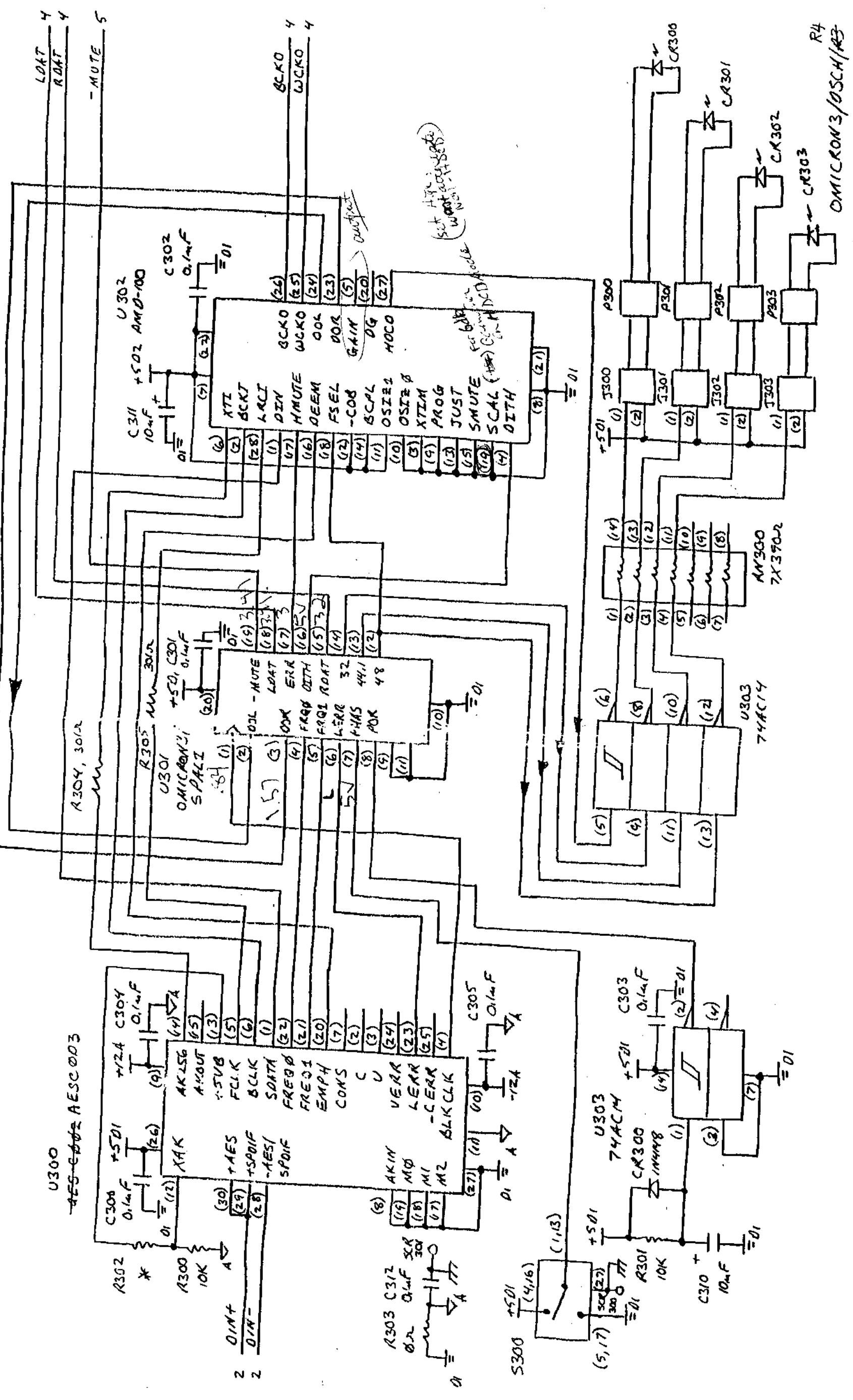
SH 1 OF 5

S. Schwabach



R4
 OMICRON3/DSCCH/AB
 SH 2 OF 5

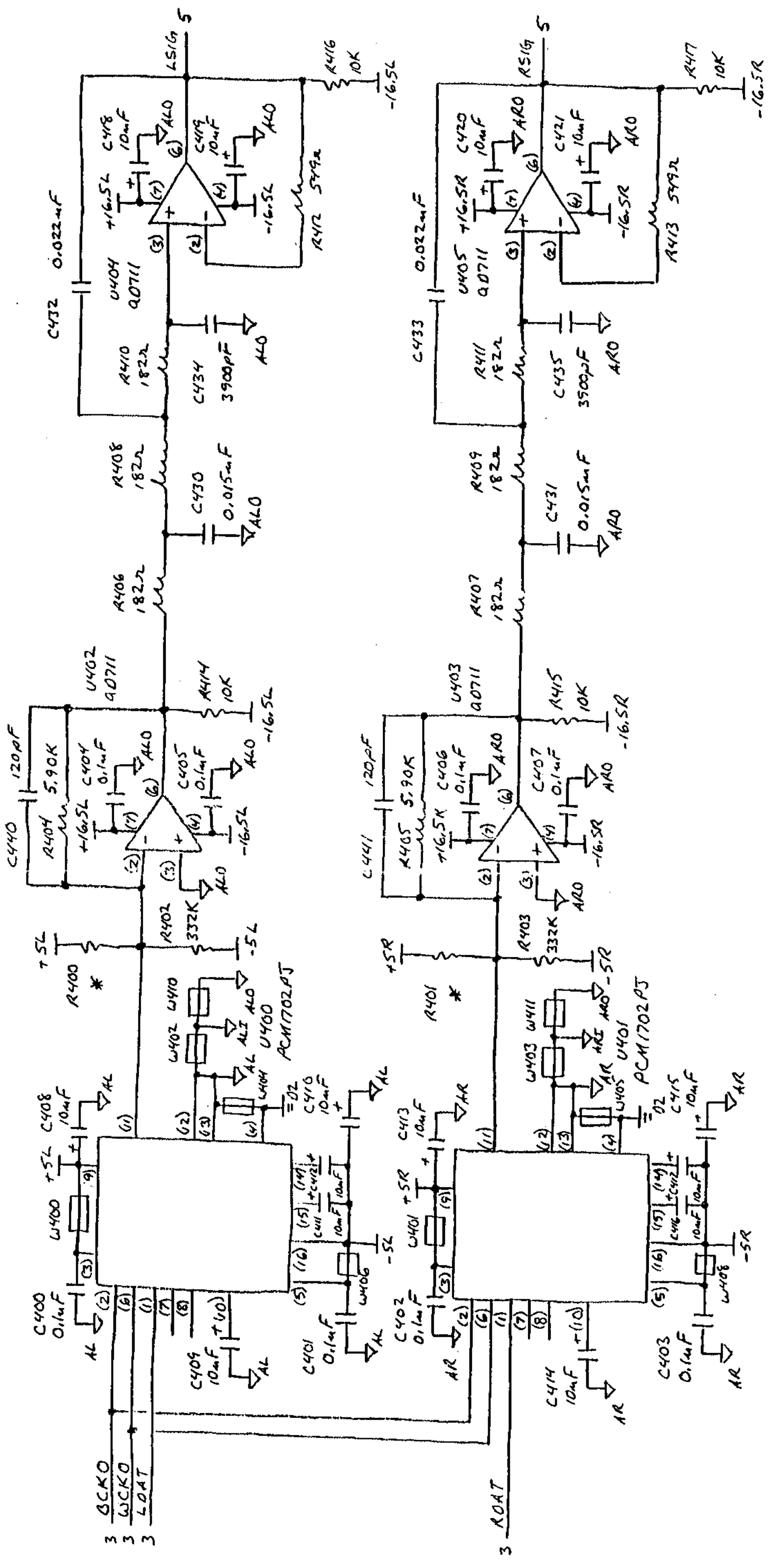
PT 1.5 peak on scope



OMICRON3/OSCH/R3 R4 SH 3 OF 5

GDA-700

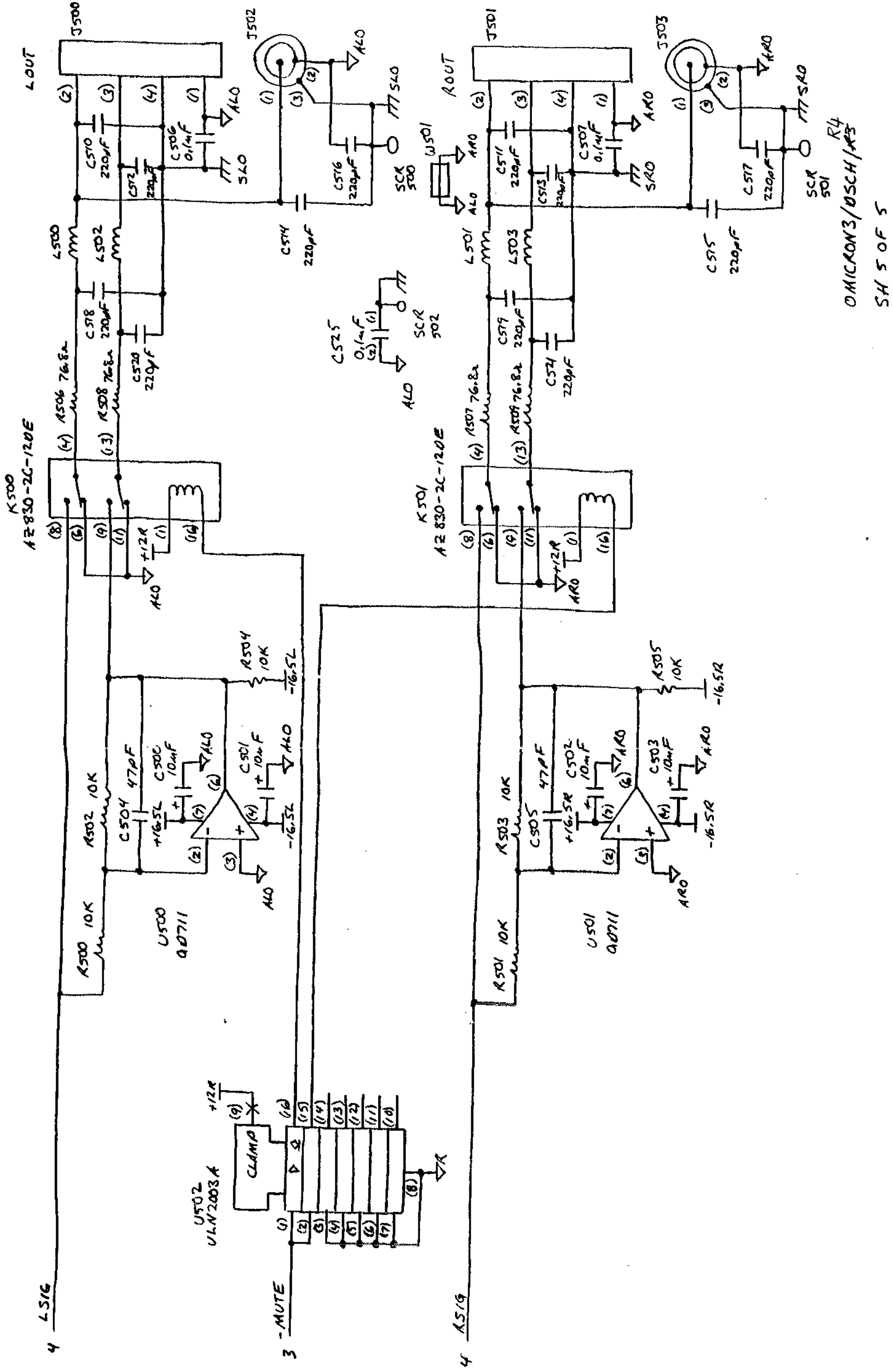
SA
K
2/10



R4
OMICKON3/DOSCH/R3

SH 40F 5

GDA-700



OMICRON3/OSCH/R4
SH 5 OF 5