

SERVICE MANUAL

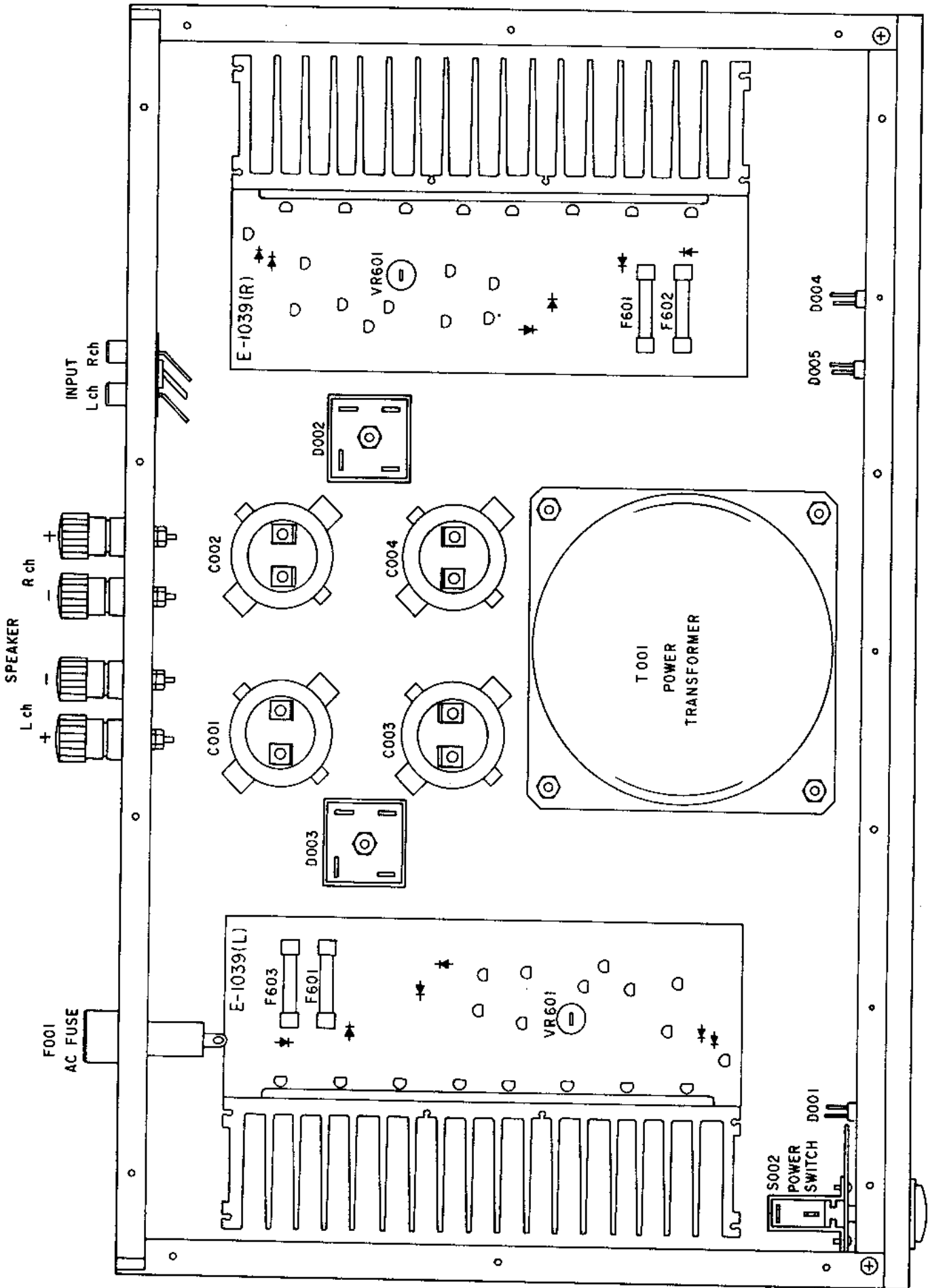
ADCOM[®] POWER AMP GFA-545

TABLE OF CONTENTS

Chassis Layout	1
Schematic Diagram	2
Wiring Diagram	3
Repair Parts List	4

**ADCOM TECHNICAL
SERVICE DEPARTMENT**
11 Elkins Road
East Brunswick, NJ 08816
Telephone (201) 390-1130

Chassis Layout Model GFA-545



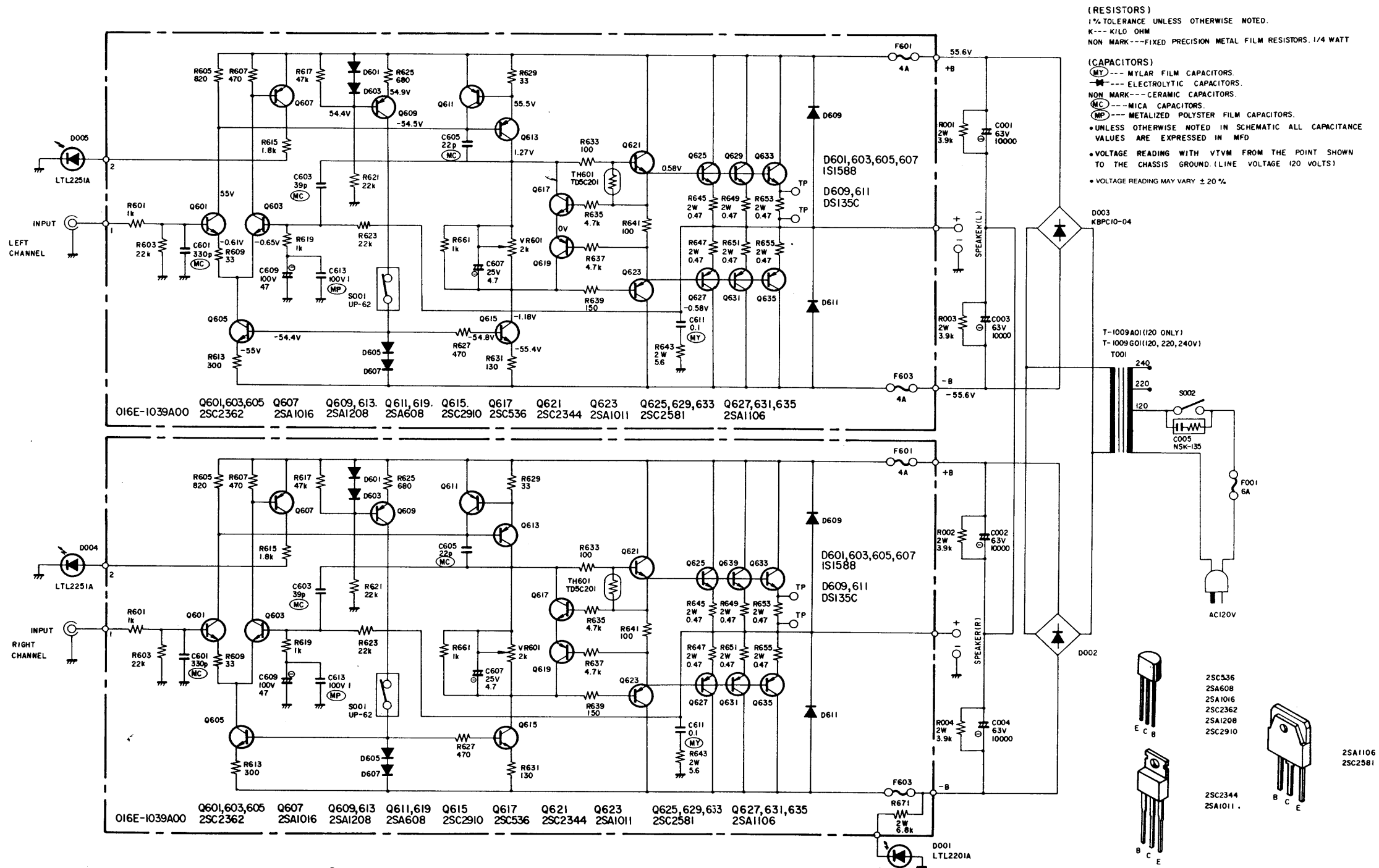
Power Amplifier Bias Adjustment

Instruments: DC milli-voltmeter

Notes: Prior to Bias Adjustment, run about 5 minutes with no input and warm up Power Transistors and Heat Sinks. Set Volume Control or input to Minimum.

Step	Coupling		Adjust	Adjust for
	Plus Lead	Minus Lead		
1	TP1	TP2	VR601 (L)	DC milli-voltmeter reads $6.5m \pm 1$
2	TP1	TP2	VR601 (R)	DC milli-voltmeter reads $6.5m \pm 1$

Schematic Diagram Model GFA-545



Repair Parts List Model GFA-545

Schematic Location	Part #	Description
D601	034 1S1588	Diode
D603	034 1S1588	Diode
D605	034 1S1588	Diode
D607	034 1S1588	Diode
D609	034 DS135C	Diode
D611	034 DS135C	Diode
D001	034 LTL2201A	L.E.D. (RED)
D002	034 KBOC10-04	Diode Rectifier
D003	034 KBPC10-04	Diode Rectifier
D004	034 LTL2251A	L.E.D. (YELLOW)
D005	034 LTL2251A	L.E.D. (YELLOW)
Q601	032 2SC2362-FG	Transistor
Q603	032 2SC2362-FG	Transistor
Q605	032 2SC2362-FG	Transistor
Q607	032 2SA1016-FG	Transistor
Q609	032 2SA1208-RST	Transistor
Q611	032 2SA608-FG	Transistor
Q613	033 2SA1208-RST	Transistor Pre-Driver
Q615	033 2SC2910-RST	Transistor Pre-Driver
Q617	032 2SC536-FG	Transistor
Q619	032 2SA608-FG	Transistor
Q621	033 2SC2344-DE	Transistor Driver
Q623	033 2SA1011-DE	Transistor Driver
Q625	033 2SC2581-OY	Transistor Power Driver
Q627	033 2SA1106-OY	Transistor Power Driver
Q629	033 2SC2581-OY	Transistor Power Driver
Q631	033 2SA1106-OY	Transistor Power Driver
Q633	033 2SC2581-OY	Transistor Power Driver
Q635	033 2SA1106-OY	Transistor Power Driver
VR601	051 SF687A-2K	Semi-Fixed Variable Resistor Bias Adj.
S001	063 C-4270A01	Thermostat UP-62
S002	061 C-4176A02	Power Switch ESB997 TV-8
T001	022 T-1009G01	Power Transformer Multi Voltage
	T-1009A01	Power Transformer 120V Only
C005	044 NSK 135	Spark Killer
TH601	034 TD5C210D	Thermistor
	066C-4282A01	Pin Jack Input
	067 3TR-2045#3	Terminal, Output (RED)
	067 3TR-2045#4	Terminal, Output (BLACK)
	011 PB2-19B00	Front Panel (BLACK)
	011 PB2-19B01	Front Panel (WHITE)
	012 4TR-2212	Push Button (BLACK)
	012 4TR-2212#2	Push Button (WHITE)
	014 PB3-22A00	Upper Cover