

aiwa



AM-F5

MINI DISC RECORDER

• BASIC MD MECHANISM: 7ZG-1 R1

• TYPE: AHE

SIMPLE MANUAL

• Replace this Service Manual with "Revision Publishing" when it is issued.

S/M Code No. 09-985-265-5FE

MANUAL
SERVICE

ELECTRICAL MAIN PARTS LIST - 1/4

NOTE: The characters in the suffix column indicate the part usage.

REF.NO	PARTS NO.	DESCRIPTION	SUFFIX
AHE	XX	KANRI	A
REF.NO	PARTS NO.	DESCRIPTION	SUFFIX
	87-HM1-602-010	PWB,FLEX TACT	A
	87-HM1-603-010	FF-CABLE, 18P 0.5 79MM	A
LCD	0	LCD,7HM-1	A
C	109	CAP, U 0.022-25	A
C	108	CAP, U 0.01-25	A
C	101	C-CAP,TN 22-4SV(A)	A
C	100	C-CAP,TN 22-4SV(A)	A
C	106	C-CAP,TN 22-4SV(A)	A
C	102	C-CAP,TN 22-4SV(A)	A
C	103	C-CAP,TN 22-4SV(A)	A
C	107	C-CAP,U 0.047-16 K B	A
C	105	C-CAP,TN 47U-4.0 M F95V	A
C	104	C-CAP,TN 47U-4.0 M F95V	A
C	119	CAP, U 0.022-25	A
C	116	C-CAP,U 100P-50CH	A
C	113	CAP, U 4700P-50	A
C	111	CAP, U 4700P-50	A
C	118	CAP, U 0.01-25	A
C	117	CAP, U 0.01-25	A
C	115	C-CAP,TN 2.2-10 F95P	A
C	114	C-CAP,U0.22-10KB	A
C	110	C-CAP,U0.22-10KB	A
C	112	C-CAP,S 1.0U-10 K B	A
C	120	CAP, U 6800P-50	A
C	123	CAP, U 0.01-25	A
C	122	CAP, U 0.01-25	A
C	121	C-CAP,U 0.047-16 K B	A
C	215	C-CAP,U 0.1-16 K B	A
C	213	C-CAP,S 1.0U-10 K B	A
D	100	C-DIODE,DAP222	A
IC	100	C-IC,CXA2523AR	A
IC	101	C-IC,S-8110AMP	A
IC	202	IC,TC7S04FU	A
IC	201	IC,TC7S08FU	A
L	102	C-COIL,330H K NLC	A
L	101	C-COIL,330H K NLC	A
L	100	C-COIL,330H K NLC	A
Q	104	C-TR,DTA144EE	A
Q	102	C-TR,2SA1832GR	A
Q	103	C-TR,2SA1832GR	A
Q	101	C-TR,2SC4738GR	A
Q	100	CHIP -TRANSISTER 2SA1588Y	A
Q	206	CAP, U 470P-50	A
C	202	CAP, U 3300P-50	A
C	208	CAP, U 0.01-25	A
C	200	C-CAP,U 0.1-16 K B	A
C	201	C-CAP,U 0.1-16 K B	A
C	203	C-CAP,U 0.1-16 K B	A
C	209	C-CAP,U 0.1-16 K B	A
C	205	C-CAP,U 0.1-16 K B	A
C	207	C-CAP,S 0.47-16 K B	A
C	204	C-CAP,S 0.47-16 K B	A
C	216	C-CAP,U0.015-25BK	A
C	210	C-CAP,U 22P-50 CH	A
C	211	C-CAP,U 22P-50 CH	A
C	218	CHIP CAP,U 1000P-50B	A
C	217	CHIP CAP,U 1000P-50B	A
C	214	C-CAP,U0.22-10KB	A
C	212	C-CAP,TN 47U-4.0 M F95V	A
IC	204	IC,TC4W66FU	A
IC	203	C-IC,HM51W4400BLTT/BTT-7/8	A
IC	200	C-IC,CXD2652AR	A
L	200	C-COIL,10UK NLC25	A
Q	205	C-TR,DTA144EE	A
Q	200	C-TR,2SA1832GR	A
Q	201	C-TR,2SA1832GR	A
Q	202	C-TR,2SA1832GR	A
X	200	C-VIB,XTAL 22.5792MHZ DSX840GA	A
C	404	C-CAP,TN 2.2-10 F95P	A
C	405	C-CAP,TN 2.2-10 F95P	A
C	400	C-CAP,TN 2.2-16 F95Q	A
C	401	C-CAP,S 1.0U-10 K B	A
C	402	C-CAP,S 1.0U-10 K B	A
C	411	C-CAP,U 0.1-16 K B	A
C	410	C-CAP,U 0.1-16 K B	A
D	400	C-DIODE,RB501V-40	A
IC	400	C-IC,MPC17A39	A
L	400	C-COIL,10UK NLC25	A
L	402	C-COIL,10UK NLC25	A
L	401	C-COIL,10UK NLC25	A
L	403	C-COIL,10UK NLC25	A
L	405	C-COIL,22UH NLC25	A
L	404	C-COIL,560UH LQH3C	A
C	500	C-CAP,U 220P-50 B	A
C	504	C-CAP,U 2200P-50 B	A
C	507	CAP, U 0.01-25	A

ELECTRICAL MAIN PARTS LIST - 2/4

C	503	87-012-286-080	CAP, U 0.01-25	A.....
C	501	87-016-296-080	C-CAP, TN 22-4SV(A)	A.....
C	502	87-016-448-080	C-CAP, TN 2.2-10 F95P	A.....
C	506	87-016-564-080	C-CAP, 10-6.3 PSN	A.....
C	505	87-A10-484-080	C-CAP, S 1.0U-10 K B	A.....
C	508	87-A10-504-080	C-CAP, U 0.047-16 K B	A.....
C	509	87-A10-504-080	C-CAP, U 0.047-16 K B	A.....
C	510	87-012-270-080	CAP, U 470P-50	A.....
C	511	87-A10-260-080	C-CAP, U 0.1-16 K B	A.....
C	520	87-A10-260-080	C-CAP, U 0.1-16 K B	A.....
D	502	87-A40-124-080	C-DIODE, RB501V-40	A.....
D	501	87-A40-412-040	C-DIODE, SB05-05CP	A.....
D	500	87-A40-412-040	C-DIODE, SB05-05CP	A.....
IC	500	87-A20-719-040	C-IC, MPC18A20VM	A.....
L	501	87-A50-011-080	C-COIL, 47UH LQH3C	A.....
L	500	87-A50-194-080	C-COIL, 100UH J NL252018	A.....
Q	504	87-026-645-080	C-TR, DTC144EE	A.....
Q	500	87-A30-150-080	C-FET, XTDF2N06HD	A.....
Q	501	87-A30-150-080	C-FET, XTDF2N06HD	A.....
R	506	87-022-217-080	C-RES, U 1.2K-1/16W F	A.....
R	502	87-022-227-080	C-RES, U 3.3K-1/16W F	A.....
R	507	87-022-237-080	C-RES, U 8.2K-1/16W F	A.....
R	508	87-022-243-080	CHIP RES, U 15K-1/16W F	A.....
R	509	87-022-245-080	C-RES U 18K-1/16WF	A.....
		87-600-021-210	WIRE, P0-2-1	A.....
C	708	87-012-286-080	CAP, U 0.01-25	A.....
C	704	87-016-296-080	C-CAP, TN 22-4SV(A)	A.....
C	702	87-016-296-080	C-CAP, TN 22-4SV(A)	A.....
C	706	87-016-296-080	C-CAP, TN 22-4SV(A)	A.....
C	701	87-016-296-080	C-CAP, TN 22-4SV(A)	A.....
C	700	87-016-296-080	C-CAP, TN 22-4SV(A)	A.....
C	705	87-016-296-080	C-CAP, TN 22-4SV(A)	A.....
C	703	87-016-449-080	C-CAP, TN 10-4 F95 P	A.....
C	707	87-A10-260-080	C-CAP, U 0.1-16 K B	A.....
C	709	87-A10-463-080	C-CAP, U 0.47-10 Z F	A.....
C	710	87-012-274-080	CHIP CAP, U 1000P-50B	A.....
C	713	87-012-274-080	CHIP CAP, U 1000P-50B	A.....
C	712	87-016-449-080	C-CAP, TN 10-4 F95 P	A.....
C	711	87-016-449-080	C-CAP, TN 10-4 F95 P	A.....
C	714	87-A10-463-080	C-CAP, U 0.47-10 Z F	A.....
C	716	87-A10-484-080	C-CAP, S 1.0U-10 K B	A.....
C	737	87-012-186-080	C-CAP, U 39P-50 CH	A.....
C	736	87-012-186-080	C-CAP, U 39P-50 CH	A.....
C	738	87-012-191-080	CHIP CAP 68 PF	A.....
C	739	87-016-296-080	C-CAP, TN 22-4SV(A)	A.....
C	732	87-A10-047-080	C-CAP, U 1-10 Z F	A.....
C	734	87-A10-047-080	C-CAP, U 1-10 Z F	A.....
C	731	87-A10-057-080	C-CAP, TN 100-4 F95 E	A.....
C	730	87-A10-484-080	C-CAP, S 1.0U-10 K B	A.....
C	748	87-012-188-080	C-CAP, U 47P-50 CH	A.....
C	741	87-012-191-080	CHIP CAP 68 PF	A.....
C	749	87-012-337-080	C-CAP, U 56P-50 CH	A.....
C	746	87-A10-047-080	C-CAP, U 1-10 Z F	A.....
C	742	87-A10-047-080	C-CAP, U 1-10 Z F	A.....
C	747	87-A10-047-080	C-CAP, U 1-10 Z F	A.....
C	743	87-A10-047-080	C-CAP, U 1-10 Z F	A.....
C	744	87-A10-047-080	C-CAP, U 1-10 Z F	A.....
C	745	87-A10-047-080	C-CAP, U 1-10 Z F	A.....
C	740	87-A10-048-080	C-CAP, TN 22-4 F95 S	A.....
C	750	87-012-188-080	C-CAP, U 47P-50 CH	A.....
C	751	87-012-337-080	C-CAP, U 56P-50 CH	A.....
C	756	87-016-081-080	C-CAP, S 0.1-16 RK	A.....
C	752	87-016-449-080	C-CAP, TN 10-4 F95 P	A.....
C	755	87-A10-260-080	C-CAP, U 0.1-16 K B	A.....
C	773	87-012-195-080	C-CAP, U 100P-50CH	A.....
C	772	87-012-195-080	C-CAP, U 100P-50CH	A.....
C	777	87-016-296-080	C-CAP, TN 22-4SV(A)	A.....
C	778	87-016-446-080	C-CAP, TN 220-4 F95 G	A.....
C	779	87-016-446-080	C-CAP, TN 220-4 F95 G	A.....
C	776	87-016-449-080	C-CAP, TN 10-4 F95 P	A.....
C	771	87-A10-484-080	C-CAP, S 1.0U-10 K B	A.....
C	770	87-A10-484-080	C-CAP, S 1.0U-10 K B	A.....
C	786	87-012-199-080	CAP 220P	A.....
C	785	87-012-199-080	CAP 220P	A.....
C	782	87-016-296-080	C-CAP, TN 22-4SV(A)	A.....
C	787	87-A10-260-080	C-CAP, U 0.1-16 K B	A.....
C	791	87-A10-260-080	C-CAP, U 0.1-16 K B	A.....
C	790	87-A10-504-080	C-CAP, U 0.047-16 K B	A.....
IC	702	87-017-596-080	IC, NJM2107F	A.....
IC	700	87-A20-721-010	C-IC, AK4515	A.....
IC	701	87-A20-858-040	C-IC, NJM2370U26	A.....
IC	730	87-017-853-040	IC, NJM2100V	A.....
IC	770	87-A20-722-040	C-IC, NJU7082B	A.....
J	730	87-A60-475-010	JACK, GP1F562R	A.....
J	780	87-A60-273-010	JACK, 3.5 ST 5P	A.....
L	701	87-003-245-080	C-COIL, 22UH	A.....
L	700	87-003-245-080	C-COIL, 22UH	A.....
L	730	87-A50-233-080	C-COIL, ACM4532-102-3P	A.....
L	770	87-A50-233-080	C-COIL, ACM4532-102-3P	A.....
Q	701	87-026-644-080	C-TR, DTA144EE	A.....
Q	702	87-A30-194-080	C-TR, RN4904	A.....
Q	734	87-026-527-080	C-TR, HN1A01FU(G)	A.....

ELECTRICAL MAIN PARTS LIST - 3/4

Q	731	87-026-645-080	C-TR,DTC144EE	A.....
Q	730	87-026-647-080	C-TR,DTA123JE	A.....
Q	732	87-A30-030-080	C-TR,RN2911	A.....
Q	735	87-A30-033-080	C-FET,2SK2035	A.....
Q	736	87-A30-033-080	C-FET,2SK2035	A.....
Q	733	87-A30-033-080	C-FET,2SK2035	A.....
Q	770	87-026-645-080	C-TR,DTC144EE	A.....
Q	771	87-A30-030-080	C-TR,RN2911	A.....
Q	773	87-A30-187-080	C-FET,MTDF1N02HD	A.....
Q	772	87-A30-187-080	C-FET,MTDF1N02HD	A.....
R	712	87-A90-857-080	C-F-BEAD, BK1608HM601	A.....
R	711	87-A90-857-080	C-F-BEAD, BK1608HM601	A.....
S	730	87-A90-703-080	C-SW,SL 1-1-3 SSSS813-B-2B	A.....
C	301	87-012-169-080	C-CAP,U 7P-50 CH	A.....
C	300	87-012-170-080	C-CAP,U 8P-50 CH	A.....
C	306	87-012-286-080	CAP, U 0.01-25	A.....
C	303	87-012-286-080	CAP, U 0.01-25	A.....
C	305	87-012-286-080	CAP, U 0.01-25	A.....
C	307	87-012-286-080	CAP, U 0.01-25	A.....
C	308	87-012-286-080	CAP, U 0.01-25	A.....
C	304	87-012-286-080	CAP, U 0.01-25	A.....
C	309	87-A10-260-080	C-CAP,U 0.1-16 K B	A.....
C	302	87-A10-260-080	C-CAP,U 0.1-16 K B	A.....
C	312	87-012-286-080	CAP, U 0.01-25	A.....
C	314	87-012-286-080	CAP, U 0.01-25	A.....
C	313	87-012-286-080	CAP, U 0.01-25	A.....
C	315	87-012-286-080	CAP, U 0.01-25	A.....
C	311	87-A10-260-080	C-CAP,U 0.1-16 K B	A.....
C	310	87-A10-260-080	C-CAP,U 0.1-16 K B	A.....
D	301	87-070-398-080	C-LED,CL220HR	A.....
IC	301	87-A20-718-040	C-IC,TC7S66FU	A.....
IC	302	87-A20-850-040	C-IC,AK93C45AV	A.....
IC	300	87-HM1-600-110	C-IC,CXP81840	A.....
Q	204	87-A30-033-080	C-FET,2SK2035	A.....
Q	203	87-A30-149-080	C-FET,2SJ347	A.....
Q	302	87-026-644-080	C-TR,DTA144EE	A.....
Q	303	87-A30-148-080	C-TR,2SC4738GR	A.....
Q	301	87-A30-148-080	C-TR,2SC4738GR	A.....
Q	300	87-A30-149-080	C-FET,2SJ347	A.....
R	304	87-022-251-080	C-RES,U 33K-1/16W F	A.....
R	303	87-022-257-080	C-RES U 56K-F	A.....
S	304	87-036-269-080	SW,PUSH ESE102MH1	A.....
S	303	87-036-312-080	C-SW,PUSH 102MH4	A.....
S	305	87-A90-232-080	C-SW,TACT SKORAA	A.....
S	300	87-A90-330-080	C-SW,SL 1-1-2 SSSS81	A.....
S	301	87-A90-330-080	C-SW,SL 1-1-2 SSSS81	A.....
X	300	87-030-358-080	C-VIB,XTAL 32.768KHZ	A.....
X	301	87-030-369-080	C-VIB,CER PBRC12.00B	A.....
BAT	600	87-B30-112-010	BAT,ML621	A.....
C	606	87-012-195-080	C-CAP,U 100P-50CH	A.....
C	605	87-016-444-080	C-CAP,TN 47-10 F95E	A.....
C	602	87-016-448-080	C-CAP,TN 2.2-10 F95P	A.....
C	609	87-A10-057-080	C-CAP,TN 100-4 F95 E	A.....
C	601	87-A10-260-080	C-CAP,U 0.1-16 K B	A.....
C	608	87-A10-260-080	C-CAP,U 0.1-16 K B	A.....
C	600	87-A10-260-080	C-CAP,U 0.1-16 K B	A.....
C	615	87-012-274-080	CHIP CAP,U 1000P-50B	A.....
C	614	87-012-274-080	CHIP CAP,U 1000P-50B	A.....
C	613	87-016-296-080	C-CAP,TN 22-4SV(A)	A.....
C	610	87-016-444-080	C-CAP,TN 47-10 F95E	A.....
C	612	87-016-564-080	C-CAP,10-6.3 PSN	A.....
C	611	87-A10-260-080	C-CAP,U 0.1-16 K B	A.....
C	620	87-A10-260-080	C-CAP,U 0.1-16 K B	A.....
C	622	87-A10-260-080	C-CAP,U 0.1-16 K B	A.....
C	621	87-A10-260-080	C-CAP,U 0.1-16 K B	A.....
C	625	87-A10-484-080	C-CAP,S 1.0U-10 K B	A.....
D	604	87-017-850-080	C-DIODE,DAP222	A.....
D	601	87-017-852-080	C-DIODE,HRW0502A	A.....
D	608	87-017-852-080	C-DIODE,HRW0502A	A.....
D	609	87-A40-124-080	C-DIODE,RB501V-40	A.....
D	602	87-A40-124-080	C-DIODE,RB501V-40	A.....
D	606	87-A40-124-080	C-DIODE,RB501V-40	A.....
D	600	87-A40-124-080	C-DIODE,RB501V-40	A.....
D	603	87-A40-124-080	C-DIODE,RB501V-40	A.....
D	605	87-A40-124-080	C-DIODE,RB501V-40	A.....
D	610	87-A40-124-080	C-DIODE,RB501V-40	A.....
F	600	87-A90-745-080	C-FUSE,750MA 13.2V MINISMDC075	A.....
F	601	87-A90-745-080	C-FUSE,750MA 13.2V MINISMDC075	A.....
IC	603	87-017-856-040	IC,TC4W53FU	A.....
IC	604	87-017-857-080	IC,TC7S04FU	A.....
IC	602	87-070-296-080	IC,RS5RM3027A	A.....
IC	601	87-A20-602-040	C-IC,M5291FP	A.....
IC	600	87-A20-807-040	C-IC,NJM022V	A.....
IC	605	87-A20-859-080	C-IC,PST9323UR	A.....
J	600	87-A60-544-010	JACK,DC 4.0 Y 6.3	A.....
L	601	87-A50-012-080	C-COIL,100UH LQH3C	A.....
L	602	87-A50-271-080	C-COIL,ACM4532-801-2P	A.....
L	600	87-A50-290-080	C-COIL,56UHC5-Q3L	A.....
Q	607	87-026-644-080	C-TR,DTA144EE	A.....
Q	608	87-026-645-080	C-TR,DTC144EE	A.....
Q	603	87-026-654-080	C-TR,DTC114TE	A.....
Q	600	87-A30-187-080	C-FET,MTDF1N02HD	A.....

ELECTRICAL MAIN PARTS LIST - 4/4

Q	601	87-A30-195-080	C-FET,MTDF1N03HD	A.....
Q	602	87-A30-222-040	C-TR,DTC143TE	A.....
Q	609	89-113-625-080	TR,2SA1362GR(120MHZ,0.	A.....
R	606	87-022-284-080	C-RES,U 68K 1-16W F	A.....
R	607	87-022-284-080	C-RES,U 68K 1-16W F	A.....
R	605	87-022-284-080	C-RES,U 68K 1-16W F	A.....
R	600	87-022-287-080	C-RES,U 120K-1/16W F	A.....
R	601	87-022-288-080	C-RES,U 150K-1/16WF	A.....
R	601	87-A00-409-080	C-RES,U 160K-1/16W F	A.....
R	625	87-022-247-080	C-RES,U 22K-1/16W F	A.....
R	624	87-022-249-080	C-RES U27K 1/16WF	A.....
C	53	87-010-787-080	CAP, U 0.022-25	A.....
C	54	87-010-787-080	CAP, U 0.022-25	A.....
C	59	87-012-274-080	CHIP CAP,U 1000P-50B	A.....
C	58	87-012-274-080	CHIP CAP,U 1000P-50B	A.....
C	57	87-012-274-080	CHIP CAP,U 1000P-50B	A.....
C	52	87-016-449-080	C-CAP,TN 10-4 F95 P	A.....
C	51	87-A10-057-080	C-CAP,TN 100-4 F95 E	A.....
C	56	87-A10-260-080	C-CAP,U 0.1-16 K B	A.....
C	55	87-A10-504-080	C-CAP,U 0.047-16 K B	A.....
C	61	87-012-280-080	CAP, U 3300P-50	A.....
C	60	87-A10-260-080	C-CAP,U 0.1-16 K B	A.....
C	63	87-A10-260-080	C-CAP,U 0.1-16 K B	A.....
C	62	87-A10-484-080	C-CAP,S 1.0U-10 K B	A.....
D	50	87-017-852-080	C-DIODE,HRW0502A	A.....
IC	51	87-017-857-080	IC,TC7S04FU	A.....
IC	50	87-A20-813-040	C-IC,CXA8048N	A.....
L	50	87-A50-108-080	C-COIL,330H K NLC	A.....
Q	51	87-026-521-080	CHIP TR HNI1COLF U(GR)	A.....
Q	50	89-113-625-080	TR,2SA1362GR(120MHZ,0.	A.....
S	52	87-036-269-080	SW,PUCH ESE102MH1	A.....
S	51	87-036-269-080	SW,PUCH ESE102MH1	A.....
S	50	87-036-312-080	C-SW,PUSH 102MH4	A.....
S	55	87-A90-619-080	C-SW,PUSH 2-1-1 ABP8112P4.9	A.....
S	53	87-A90-619-080	C-SW,PUSH 2-1-1 ABP8112P4.9	A.....
S	54	87-A90-746-010	C-SW,PUSH 2-1-1 ABP8112P5.8	A.....

ACCESSORIES/PACKAGE LIST - 1/1

NOTE: The characters in the suffix column indicate the part usage.

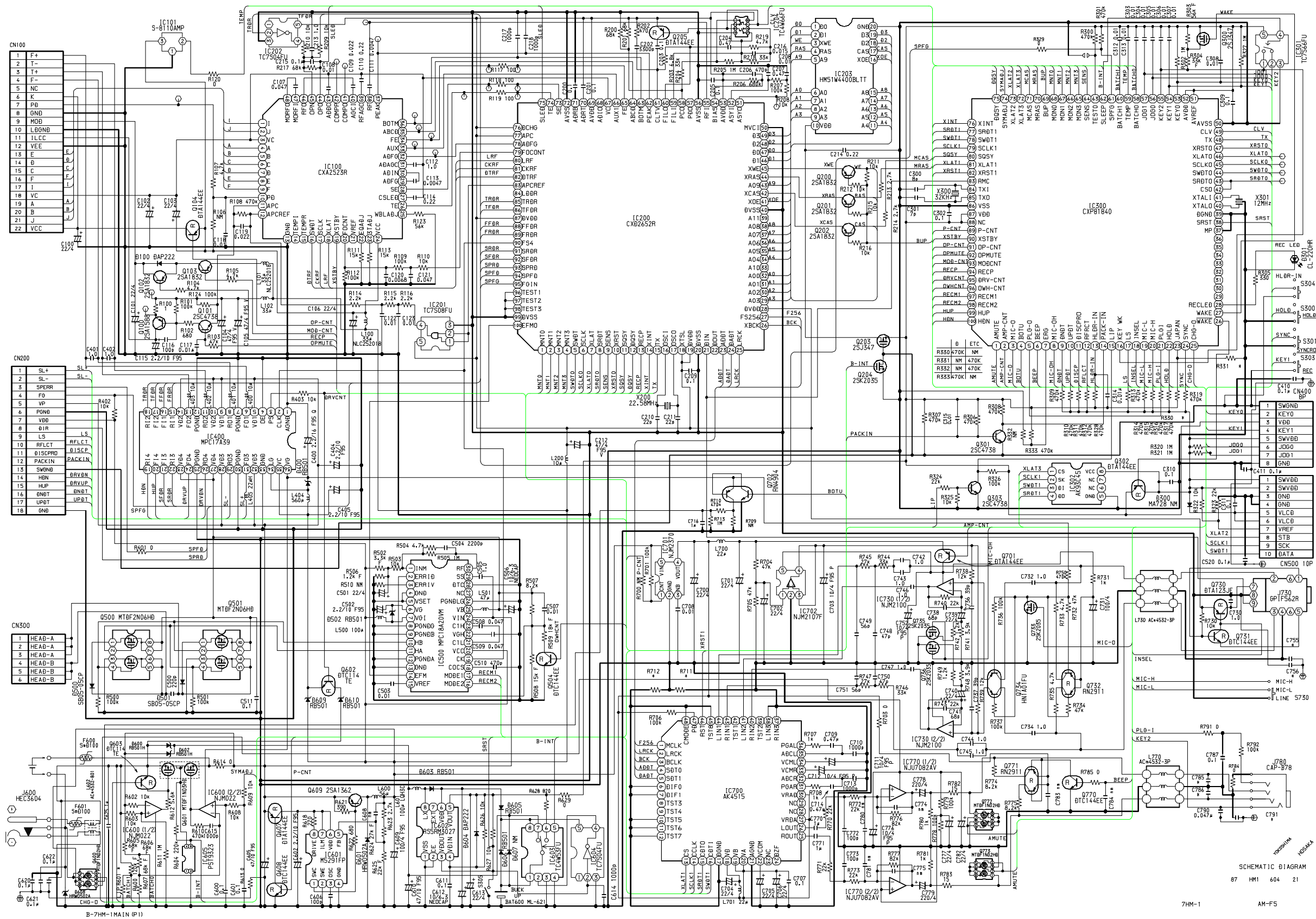
REF.NO	PARTS NO.	KANRI NO.	DESCRIPTION	SUFFIX
AHE	XX	A.....
87-056-074-010			POLY VINYL	A.....
87-056-876-010			LBL,AK1
87-056-177-010			LIST,FACILITY-A3
87-B50-036-010			LIST,SERVICE-JP
87-B50-043-010			LIST,FACILITY-A5	A.....
87-HM1-901-010			IB,D(J)-I
87-HM1-904-010			IB,EX(ESFGIN) -I
87-HM1-905-010			IB,H(ESC) -I	A.....
87-041-064-010			MIC,CM-S20 A	A.....
87-A90-312-010			PLUG,CONVERSION WTN-1157R1	A.....
87-B30-047-010			AC ADAPTOR,AC-D401 NC
87-B30-111-010			BAT,LIB-902	A.....
87-B30-122-010			HEADPHONE,HP-M023	A.....
87-B30-142-010			AC ADAPTOR,AC-D401U NC
87-B30-143-010			AC ADAPTOR,AC-D401E NC
87-B30-144-010			AC ADAPTOR,AC-D401K NC
87-B30-158-010			AC ADAPTOR,AC-D401HE	A.....
87-B30-159-010			AC ADAPTOR,AC-D401HR
87-HM1-016-110			CABI,B-BOX TOP	A.....
87-HM1-017-110			FRAME,B-BOX	A.....
87-HM1-018-110			CABI,B-BOX BOT	A.....
87-HM1-236-010			BAT-CONTACT,A	A.....
87-HM1-237-010			BAT-CONTACT,B	A.....
87-HM1-238-010			BAT-CONTACT,C	A.....
87-HM1-239-010			BAT-CONTACT,D	A.....
87-HM1-951-110			BOX ASSY,BAT 7HM-1	A.....
87-HM1-952-010			RC UNIT,RCF5 WIRE	A.....
87-HM1-953-010			BAG,CARRING	A.....

MECHANICAL PARTS LIST - 1

NOTE: The characters in the suffix column indicate the part usage.

REF.NO	PARTS NO.	XX KANRI NO.	DESCRIPTION	SUFFIX
AHE				A.....
87-HM1-001-010			PANEL, TOP	A.....
87-HM1-003-210			FRAME, CENTER	A.....
87-HM1-005-010			LID, BAT	A.....
87-HM1-013-010			PANEL ASSY, TOP	A.....
87-HM1-222-010			HLDR, CASSTE	A.....
87-HM1-008-110			KEY, MAIN	A.....
87-HM1-009-110			KEY, ENTER	A.....
87-HM1-015-010			KNOB, RTRY DIAL	A.....
87-HM1-004-010			WINDOW, DISP	A.....
87-HM1-002-010			PANEL, BOT
87-HM1-020-010			PANEL, BOT EZ
87-HM1-021-010			PANEL, BOT U
87-HM1-022-010			PANEL, BOT HR	A.....
87-HM1-006-010			KNOB, SL EJECT	A.....
87-HM1-007-010			KNOB, SL REC	A.....
87-HM1-010-010			KNOB, SL HOLD	A.....
87-HM1-011-010			KNOB, SL SLSS	A.....
87-HM1-014-010			KNOB, LEVER REC	A.....
87-HM1-012-010			LENS, LED	A.....
87-HM1-019-010			SPACER, JACK	A.....
87-078-053-010			PW 2.5-0.7-0.25 SLT	A.....
87-HM1-201-010			CHAS ASSY, BAT	A.....
87-HM1-205-310			FRAME ASSY, SIDE	A.....
87-HM1-208-110			FRAME ASSY, FRONT	A.....
87-HM1-209-110			FRAME, FRONT	A.....
87-HM1-217-110			HINGE, BAT	A.....
87-HM1-218-010			COVER, BAT	A.....
87-HM1-220-010			BAT-CONTACT, -	A.....
87-HM1-221-010			DMPR, G	A.....
87-HM1-223-010			SPR-C, REC	A.....
87-HM1-224-010			SPR-P, TOP	A.....
87-HM1-225-110			SHAFT, HINGE	A.....
87-HM1-231-010			FRAME ASSY, REAR	A.....
87-HM1-240-010			HLDR, JACK	A.....
87-HM1-241-010			BAT-CONTACT, +	A.....
87-HM1-244-010			SPR-C, EJECT A	A.....
87-HM1-245-010			SPR-C, EJECT B	A.....
87-HM1-256-010			SHAFT, CALKING C	A.....
87-HM1-268-010			W-PVC, 4-1.8-0.2	A.....
89-932-034-110			WIRE UB2-3-3 PLAY-FF	A.....
87-067-746-010			SCREW, M 1.4-2 (H0.5)	A.....
87-261-504-310			SCREW V+1.4-2.2	A.....
87-261-508-310			V+1.4-3.5	A.....
87-HM1-226-010			S-SCREW, DAMPER	A.....
87-HM1-242-010			S-SCREW, 1.4-2.0CR	A.....
87-HM1-243-010			S-SCREW, 1.4-1.4CRNL	A.....
87-HM1-254-010			S-SCREW, 1.4-1.4CR	A.....
87-HM1-602-010			PWB, FLEX TACT	A.....
87-HM1-603-010			FF-CABLE, 18P 0.5 79MM	A.....

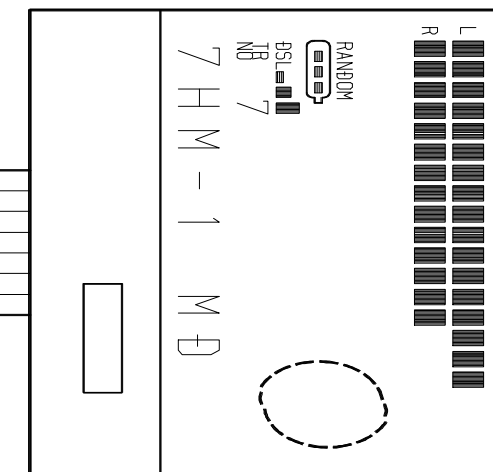
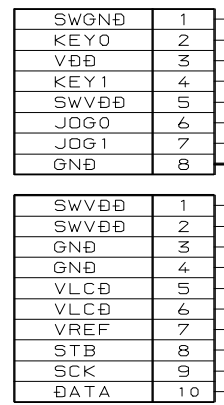
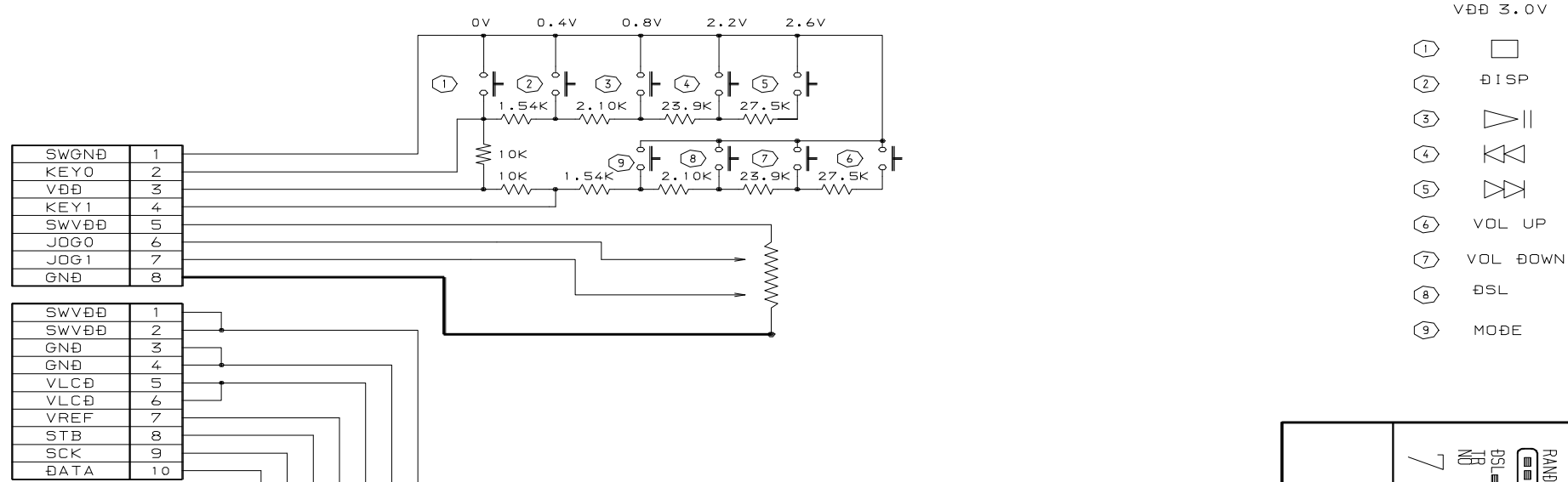
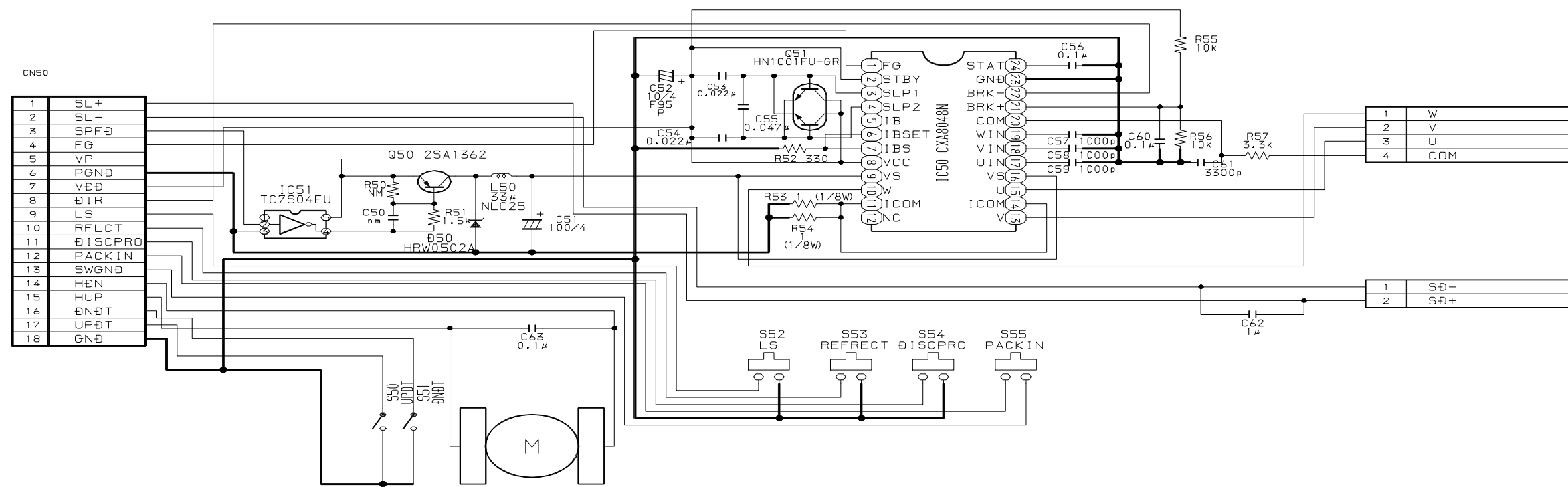
SCHEMATIC DIAGRAM



SCHEMATIC DIAGRAM
87 HM1 604 21

7HM-1 AM-F5

SCHEMATIC DIAGRAM



サービス技術ニュース	
番号	連絡内容
G- -	
G- -	
G- -	

アイワ株式会社
AIWA CO.,LTD.

9301946

Tokyo Japan