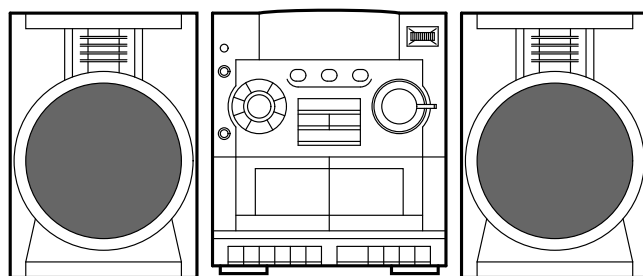




CA-DW235 CA-DW245

U

LH,HA,K,HR



SERVICE MANUAL

CD CARRY COMPONENT SYSTEM

BASIC TAPE MECHANISM : TN-21ZSW-1694
BASIC CD MECHANISM : DA11T3C

- This Service Manual contains information about the difference between the CD MECHANISM "DA11T3C" and "KSM-213 CDM" for the MODEL CA-DW235(U)/245(LH,HA,K,HR).

If requiring other information, see Service Manual of
CA-DW235(U)/245(LH,HA,K), (S/M Code No. 09-995-410-3R1),
CA-DW245(HR)/XG-E15/E16(D), (S/M Code No. 09-998-410-3R2).

aiwa

S/M Code No. 09-011-410-3S3

SUPPLEMENT
DATA

PROTECTION OF EYES FROM LASER BEAM DURING SERVICING

This set employs laser. Therefore, be sure to follow carefully the instructions below when servicing.

WARNING!!

WHEN SERVICING, DO NOT APPROACH THE LASER EXIT WITH THE EYE TOO CLOSELY. IN CASE IT IS NECESSARY TO CONFIRM LASER BEAM EMISSION. BE SURE TO OBSERVE FROM A DISTANCE OF MORE THAN 30cm FROM THE SURFACE OF THE OBJECTIVE LENS ON THE OPTICAL PICK UP BLOCK.



- Caution: Invisible laser radiation when open and interlocks defeated avoid exposure to beam.
- Advarsel: Usynlig laserstråling ved åbning, når sikkerhedsafbrydere er ude af funktion. Undgå udsættelse for stråling.

VAROITUS!

Laiteen Käyttäminen muulla kuin tässä käyttöohjeessa mainitulla tavalla saattaa altistaa käytäjän turvallisuusluokan 1 ylittävälle näkymättömälle lasersäteilylle.

WARNING!

Om apparaten används på annat sätt än vad som specificeras i denna bruksanvisning, kan användaren utsättas för osynlig laserstrålning, som överskrider gränsen för laserklass 1.

Precaution to replace Optical block (SF-P101NR)

Body or clothes electrostatic potential could ruin laser diode in the optical block. Be sure ground body and workbench, and use care the clothes do not touch the diode.

- 1) After the connection, remove solder shown in right figure.

CAUTION

Use of controls or adjustments or performance of procedures other than those specified herein may result in hazardous radiation exposure.

ATTENTION

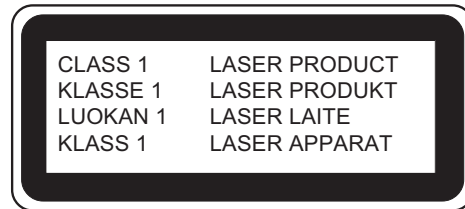
L'utilisation de commandes, réglages ou procédures autres que ceux spécifiés peut entraîner une dangereuse exposition aux radiations.

ADVARSEL

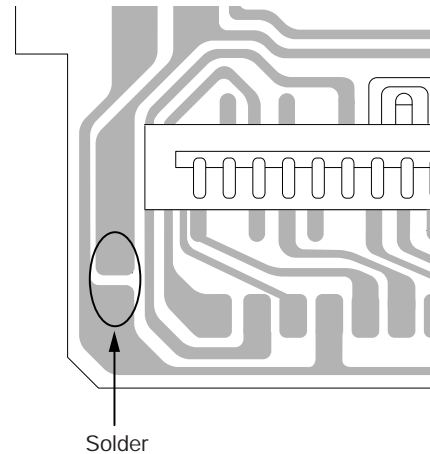
Usynlig laserstråling ved åbning, når sikkerhedsafbrydere er ude af funktion. Undgå udsættelse for stråling.

This Compact Disc player is classified as a CLASS 1 LASER product.

The CLASS 1 LASER PRODUCT label is located on the rear exterior.



CD PICK-UP ASSY. PWB



ELECTRICAL MAIN PARTS LIST

| REF. NO. | PART NO. | KANRI NO. | DESCRIPTION |
|--------------|----------------|-----------|-----------------|
| CD MOTOR C.B | | | |
| M1 | S0-M10-A09-700 | | MOTOR SLED ASSY |
| PIN3 | S2-369-750-000 | | PLUG, 6P |
| SW1 | S4-S13-A01-600 | | SW, LEAF |

| REF NO. | CD MECHANISIM | |
|---------|---------------|----------|
| | KSM-213CDM | DA11T3C |
| C422 | 2700P | 3300P |
| C423 | 0.068M | 0.047M |
| C424 | 0.018M | 0.22M |
| C439 | NO MOUNT | 1000P |
| R412 | 68K | 220K |
| R413 | 39K | 15K |
| R420 | 47K | 15K |
| R431 | 560K | 270K |
| R432 | 560K | 270K |
| R434 | JUMPER | 47K |
| R445 | 3.9K | 18K |
| R447 | 10K | 15K |
| R448 | 56K | NO MOUNT |

MECHANICAL PARTS LIST 1 / 1

| REF. NO. | PART NO. | KANRI NO. | DESCRIPTION |
|----------|----------------|-----------|-------------------------------------|
| △ 66 | 87-A91-369-010 | | SW,AC SL 2 2 2 SDKGA41700<*EXP U,K> |
| ADD | 8Z-CT9-064-010 | | PANEL,CD SANYO |
| ADD | 8Z-CT6-214-010 | | RING,CHUCK |
| ADD | 86-CT9-217-010 | | HLD, CHUCK A (S) |
| ADD | 87-651-075-210 | | VT1+2.6-10 |
| ADD | 87-751-094-410 | | VT2+3-6 W/O SLOT |
| ADD | 87-751-095-410 | | VT2+3-8 W/O SLOT |
| ADD | 87-721-095-410 | | QT2+3-8 W/O SLOT |
| ADD | 87-751-097-410 | | VT2+3-12 W/O SLOT |
| ADD | 87-651-100-410 | | VT1+3-16 |
| ADD | 87-651-104-410 | | VT1+3-30 |
| ADD | 87-571-033-410 | | VIT+2-4 |
| ADD | 87-261-072-410 | | V+2.6-5 |

* NOTE :<EXP U,K> = <EXCEPT 235U,245K>

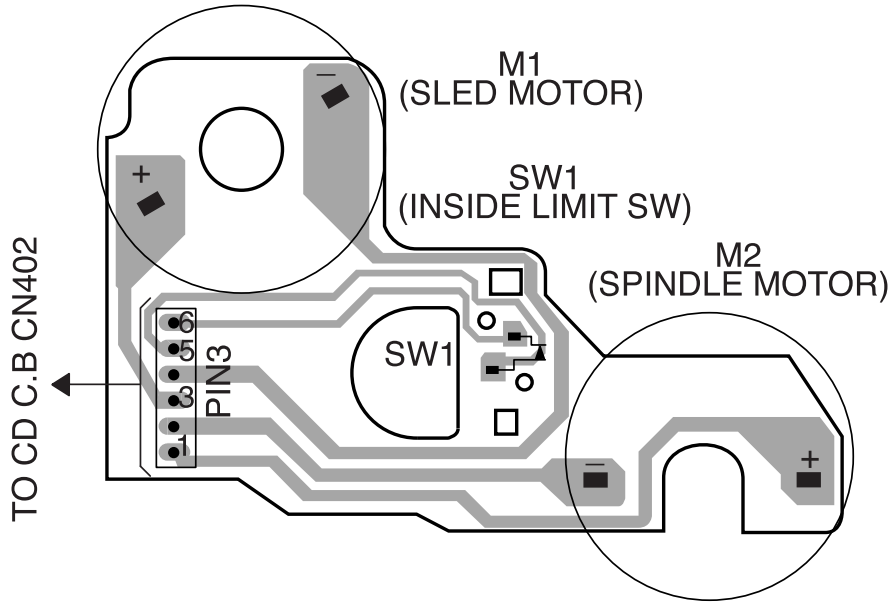
COLOR NAME TABLE

| Basic color symbol | Color | Basic color symbol | Color | Basic color symbol | Color |
|--------------------|-------------------|--------------------|--------------------|--------------------|--------------------|
| B | Black | C | Cream | D | Orange |
| G | Green | H | Gray | L | Blue |
| LT | Transparent Blue | N | Gold | P | Pink |
| R | Red | S | Silver | ST | Titan Silver |
| T | Brown | V | Violet | W | White |
| WT | Transparent White | Y | Yellow | YT | Transparent Yellow |
| LM | Metallic Blue | LL | Light Blue | GT | Transparent Green |
| LD | Dark Blue | DT | Transparent Orange | GM | Metallic Green |
| YM | Metallic Yellow | DM | Metallic Orange | PT | Transparent Pink |
| LA | Aqua Blue | GL | Light Green | | |

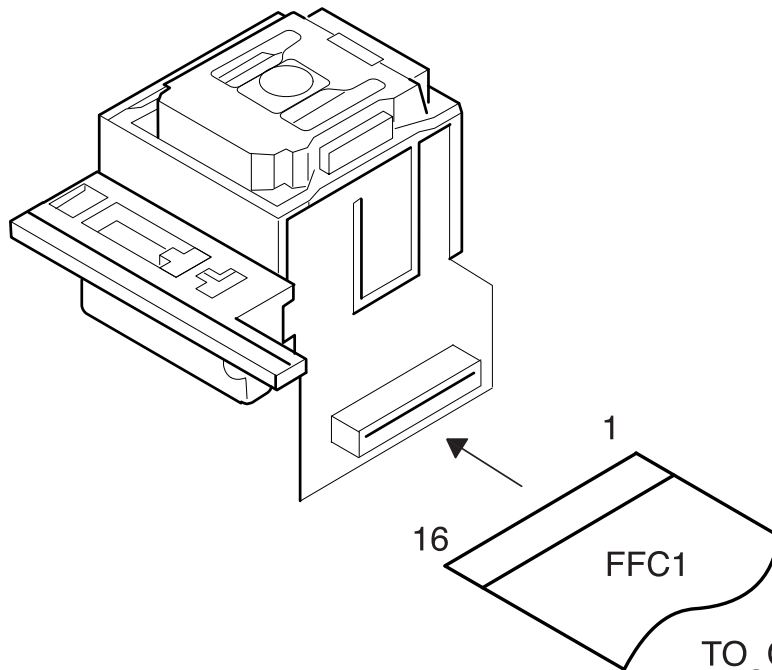
WIRING (CD MOTOR)

| | | | | | | | | | | | | | | |
|----|----|----|----|----|----|---|---|---|---|---|---|---|---|---|
| 15 | 14 | 13 | 12 | 11 | 10 | 9 | 8 | 7 | 6 | 5 | 4 | 3 | 2 | 1 |
|----|----|----|----|----|----|---|---|---|---|---|---|---|---|---|

E CD MOTOR C.B



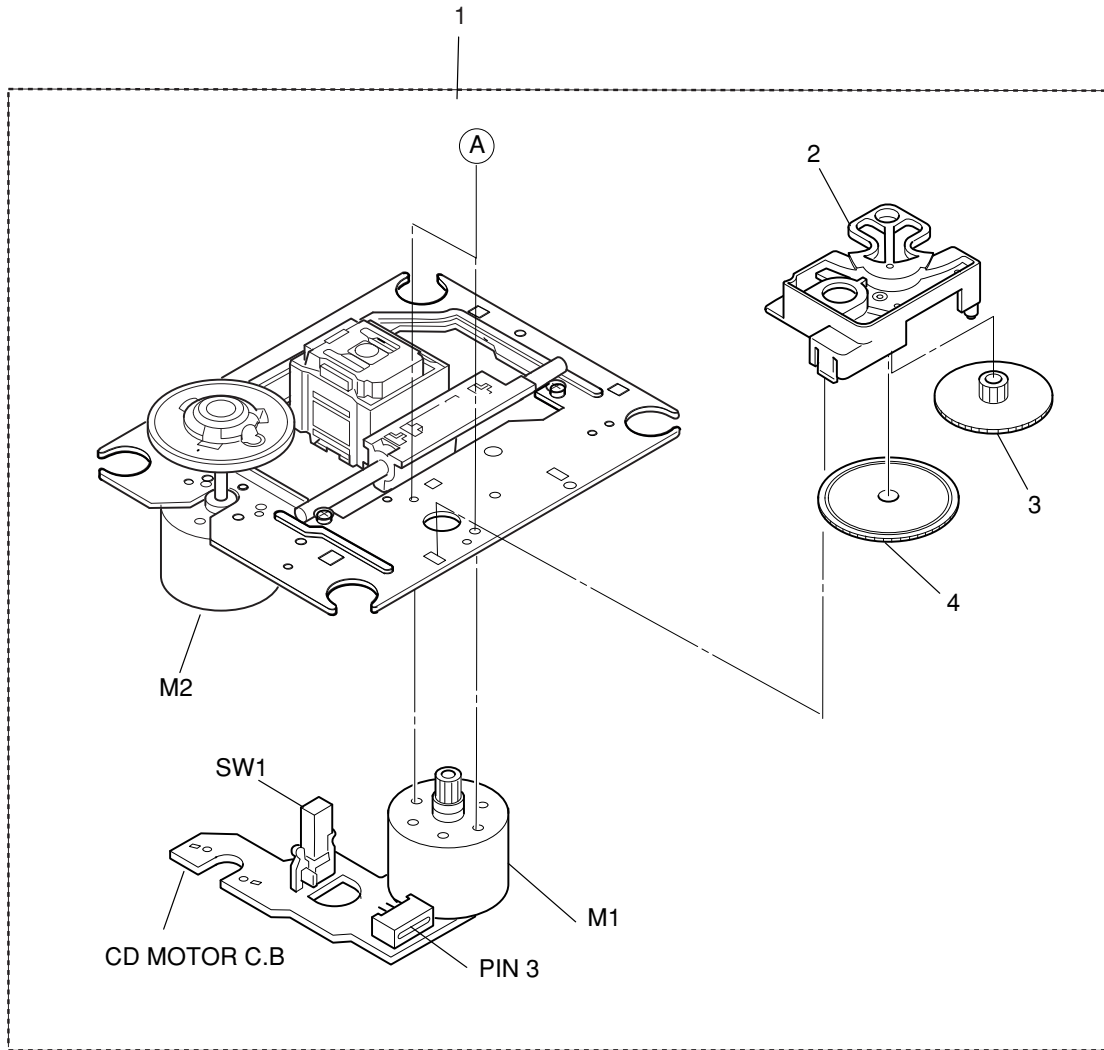
CD PICK UP ASSY
SF-P101NR



TO CD C.B
CN401

A
B
C
D
E
F
G
H
I
J
K
L
M
N
O
P
Q
R
S
T
U

CD MECHANISM EXPLODED VIEW 1 / 1



CD MECHANISM PARTS LIST 1 / 1

| REF. NO. | PART NO. | KANRI NO. | DESCRIPTION |
|----------|----------------|-----------------|-------------|
| 1 | M8-ZZK-E90-070 | DA11T3C | |
| 2 | S2-121-A28-400 | COVER GEAR | |
| 3 | S2-511-A21-000 | GEAR MIDDLE | |
| 4 | S2-511-A21-100 | GEAR,DRIVE | |
| A | S1-PN2-03R-OSE | SCR PAN PCS 2-3 | |

アイワ株式会社 〒110-8710 東京都台東区池之端1-2-11 ☎03(3827)3111 (代表)
AIWA CO.,LTD. 2-11, IKENOHATA 1-CHOME, TAITO-KU, TOKYO 110, JAPAN TEL:03 (3827) 3111

9620450 0251431

Printed in Singapore