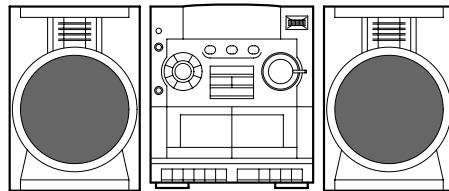




# CA-DW235 U

# CA-DW245 LH,HA,K,HR



# SERVICE MANUAL

CD CARRY COMPONENT SYSTEM

BASIC TAPE MECHANISM : TN-21ZSW-1694  
BASIC CD MECHANISM : KSM-213CDM

This Service Manual is "Supplement" CA-DW235,CA-DW245.

If requiring the other information, see Service Manual of the CA-DW235 U,CA-DW245 LH,HA,K,HR  
(S/M Code No. 09-995-410-3R1 U,LH,HA,K),(S/M Code No. 09-998-410-3R2 HR).

**aiwa**  
S/M Code No. 09-002-410-3S1

SUPPLEMENT  
DATA

## MECHANICAL PARTS LIST 1/1

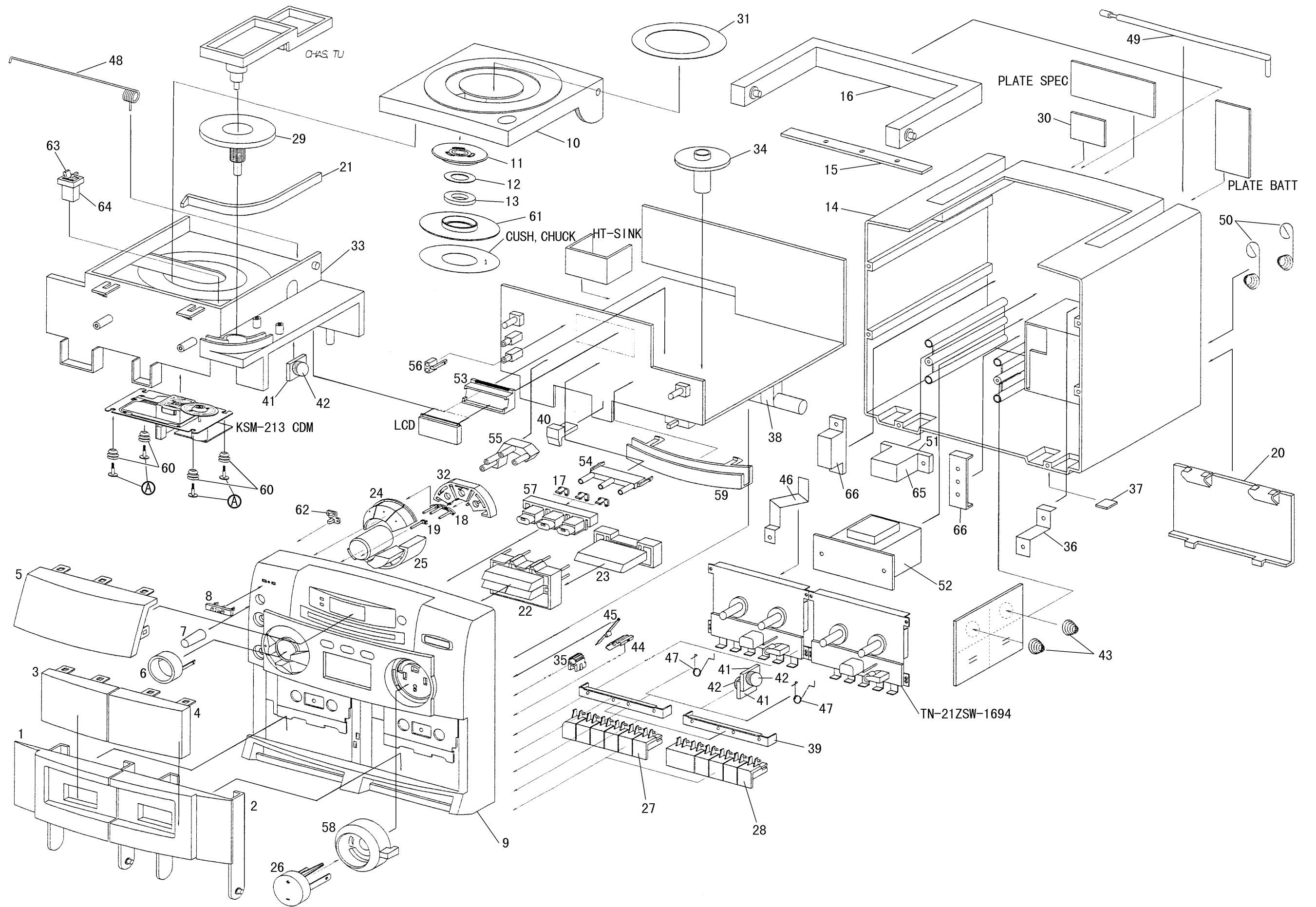
DESCRIPTIONで判断できない物は "REFERENCE NAME LIST" を参照してください。  
If can't understand for Description please kindly refer to "REFERENCE NAME LIST".

| REF. NO | PART NO.       | KANRI NO. | DESCRIPTION              | REF. NO | PART NO.       | KANRI NO.      | DESCRIPTION                                     |
|---------|----------------|-----------|--------------------------|---------|----------------|----------------|---|
| 1       | 8Z-CT9-003-010 |           | BOX,CASS (L)             | 38      | 88-CD6-661-010 |                | HLDR,BAR ANT.                                   |
| 2       | 8Z-CT9-004-010 |           | BOX,CASS (R)             | 39      | 86-CT9-208-010 |                | HLDR,KEY CASS                                   |
| 3       | 8Z-CT9-005-010 |           | WINDOW,CASS (L)          | 40      | 86-CT9-205-110 |                | HLDR,REC  |
| 4       | 8Z-CT9-006-010 |           | WINDOW,CASS (R)          | 41      | 86-CT9-220-110 |                | OIL-DMPR,BRACKET                                |
| 5       | 8Z-CT9-002-010 |           | WINDOW,DISPLAY<235U>     | 42      | 86-CT9-219-110 |                | OIL-DMPR,GEAR                                   |
| 5       | 8Z-CT9-028-010 |           | WINDOW,DISPLAY HR<245HR> | 43      | 86-CT9-213-010 |                | SPR-C,BATT(-)                                   |
| 6       | 8Z-CT9-025-010 |           | RING,GEQ                 | 44      | 8Z-CT9-212-010 |                | SPR-P,BAND(2B)<245LH,235U,245HA>                |
| 7       | 8Z-CT9-015-010 |           | KNOB,RTRY MIC            | 44      | 8Z-CT9-211-010 |                | SPR-P,BAND(3B)<245HR,245K>                      |
| 8       | 86-CT9-039-010 |           | BADGE,AIWA 30N           | 45      | 8Z-CT9-210-010 |                | SPR-P,PLT                                       |
| 9       | 8Z-CT9-045-010 |           | CABI,FR LH<245LH,245HA>  | 46      | 87-CT7-207-010 |                | SPR-P,REC                                       |
| 9       | 8Z-CT9-001-010 |           | CABI,FRONT<235U>         | 47      | 86-CT9-210-010 |                | SPR-T,CASS                                      |
| 9       | 8Z-CT9-031-010 |           | CABI,FRONT HR<245HR>     | 48      | 86-CT9-211-010 |                | SPR-T,CD  |
| 10      | 8Z-CT9-007-010 |           | BOX,CD                   | 49      | 88-CT6-633-010 |                | ANT,ROD   |
| 11      | 86-CD4-225-010 |           | CHUCK(A)                 | 50      | 86-CT9-212-010 |                | SPR-C,BATT LINK                                 |
| 12      | 86-CT9-222-010 |           | PLATE,MAGNET             | △       | 51             | 87-A60-178-010 | JACK,AC E W/SW<EXCEPT 235U>                     |
| 13      | 87-036-368-010 |           | MAGNET                   | △       | 51             | 87-A60-177-010 | JACK,AC U W/SW<235U>                            |
| 14      | 8Z-CT9-044-010 |           | CABI,REAR                | 52      | 88-CT6-631-010 |                | POWER TRANS,EI-57/25<br><EXCEPT 235U,245K>      |
| 15      | 88-CT6-022-010 |           | COVER, HNDL              | △       | 52             | 88-CT6-630-010 | PT,EZ/K<245K>                                   |
| 16      | 86-CT6-036-010 |           | HANDL,RF                 | △       | 52             | 88-CT7-629-010 | PT,U<235U>                                      |
| 17      | 8Z-CT9-021-010 |           | LENS,FUNC                | △       | 53             | 8Z-CT9-202-010 | HLDR,LCD  |
| 18      | 8Z-CT9-023-010 |           | LENS,GEQ                 |         |                |                |   |
| 19      | 8Z-CT9-024-010 |           | LENS,Q-SOUND             | 54      | 8Z-CT9-203-010 |                | HLDR,LED A                                      |
| 20      | 86-CT6-035-010 |           | LID,BATT RF              | 55      | 8Z-CT9-204-010 |                | HLDR,LED B                                      |
| 21      | 8Z-CT9-017-010 |           | POINTER,TUN              | 56      | 8Z-CT9-205-010 |                | HLDR,LED C                                      |
| 22      | 8Z-CT9-013-010 |           | BTN,CD A                 | 57      | 8Z-CT9-016-010 |                | BTN,FUNCTION                                    |
| 23      | 8Z-CT9-014-010 |           | BTN,CD B                 | 58      | 8Z-CT9-026-010 |                | KNOB,RTRY BAND(2B)<br><245LH,235U,245HA>        |
| 24      | 8Z-CT9-020-010 |           | BTN,GEQ                  |         |                |                |   |
| 25      | 8Z-CT9-019-010 |           | BTN,Q-SOUND              | 58      | 8Z-CT9-012-010 |                | KNOB,RTRY BAND(3B)<245HR,245K>                  |
| 26      | 8Z-CT9-018-010 |           | BTN,VOL                  | 59      | 8Z-CT9-201-010 |                | HLDR,POINTER                                    |
| 27      | 8Z-CT9-009-010 |           | KEY,CASS (A)             | 60      | 88-CH6-220-010 |                | CUSHION,CD A                                    |
| 28      | 8Z-CT9-010-010 |           | KEY,CASS (B)             | 61      | 8Z-CT6-213-010 |                | BASE,CHUCK                                      |
| 29      | 8Z-CT9-011-010 |           | KNOB,RTRY TU             | 62      | 8Z-CT9-022-010 |                | LENS,OPE  |
| 30      | 86-CT9-026-010 |           | PLATE,AC<EXCEPT 245HR>   | 63      | 87-036-389-010 |                | SW,PUSH LOCK                                    |
| 31      | 8Z-CT9-008-010 |           | WINDOW,CD                | 64      | 8Z-CT9-206-010 |                | CAP,SW  |
| 32      | 8Z-CT9-208-010 |           | BASE,GEQ                 | 65      | 87-A90-086-010 |                | COVER,AC-SOCKET                                 |
| 33      | 8Z-CT9-209-010 |           | CHAS,CD                  | 66      | 86-CT9-206-010 |                | HLDR,TRANS<235U>                                |
| 34      | 86-CT9-202-010 |           | DRUM,TU                  | 66      | 87-A91-302-010 |                | SW,AC SL 2 2 2 SDKGA40100<br><EXCEPT 235U,245K> |
| 35      | 8Z-CT9-207-010 |           | GEAR,BAND                |         |                |                |   |
| 36      | 86-CT9-207-010 |           | HLDR,ANT                 | A       | 81-CD5-204-010 |                | SCREW CD  |
| 37      | 86-CT9-223-010 |           | CUSH,FOOT                |         |                |                |   |

## SPEAKER PARTS LIST

DESCRIPTIONで判断できない物は "REFERENCE NAME LIST" を参照してください。  
If can't understand for Description please kindly refer to "REFERENCE NAME LIST".

| REF. NO | PART NO.       | KANRI NO. | DESCRIPTION                 |
|---------|----------------|-----------|-----------------------------|
| 1       | 86-CT9-039-010 |           | BADGE,AIWA 30N              |
| 2       | 8Z-CT9-041-010 |           | CABI,SPKR FR A              |
| 3       | 8Z-CT9-042-010 |           | CABI,SPKR FR B              |
| 4       | 86-CT9-117-010 |           | CABI,SPKR-REAR L RF         |
| 5       | 86-CT9-118-010 |           | CABI,SPKR-REAR R RF         |
| 6       | 8Z-CT9-043-010 |           | GRILLE,SPKR                 |
| 7       | 86-CT9-121-010 |           | HLDR,CORD RF                |
| 8       | 86-CT9-108-010 |           | HLDR,WOOD                   |
| 9       | 8Z-CT6-646-010 |           | CORD ASSY,SPEAKER           |
| 10      | 8Z-CT6-647-010 |           | SPKR,12 3.20HM<EXCEPT 235U> |
| 10      | 8Z-CT9-631-010 |           | SPKR,12 7.00HM<235U>        |
| A       | 87-651-100-410 |           | VT1+3-16                    |
| B       | 87-751-096-410 |           | VT2+3-10 GLD                |



| サービス技術ニュース |      |
|------------|------|
| 番号         | 連絡内容 |
| G- -       |      |
| G- -       |      |
| G- -       |      |

**アイワ株式会社** 〒110-8710 東京都台東区池之端1-2-11 ☎03(3827)3111 (代表)  
**AIWA CO.,LTD.** 2-11, IKENOHATA 1-CHOME, TAITO-KU, TOKYO 110, JAPAN TEL:03 (3827) 3111