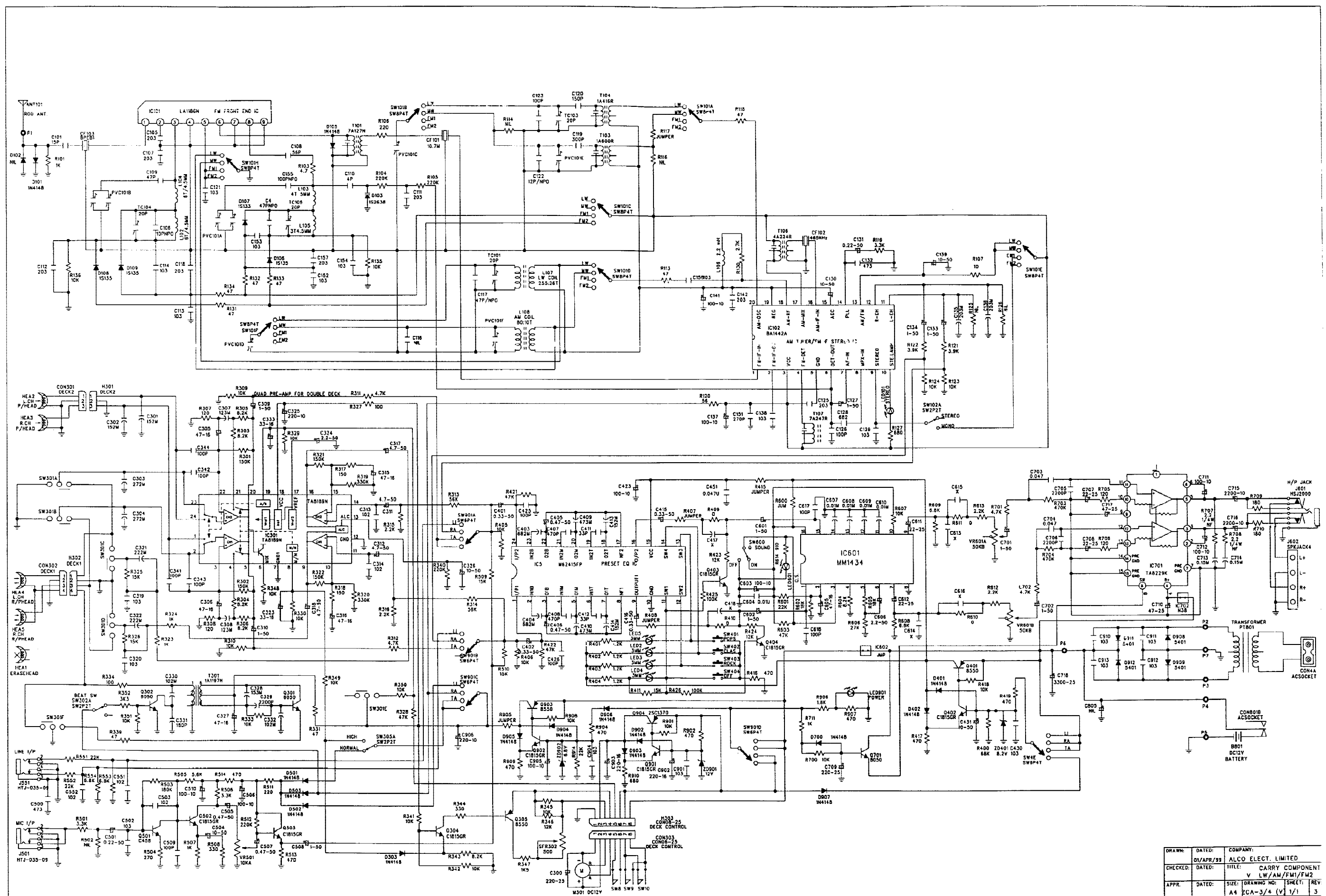


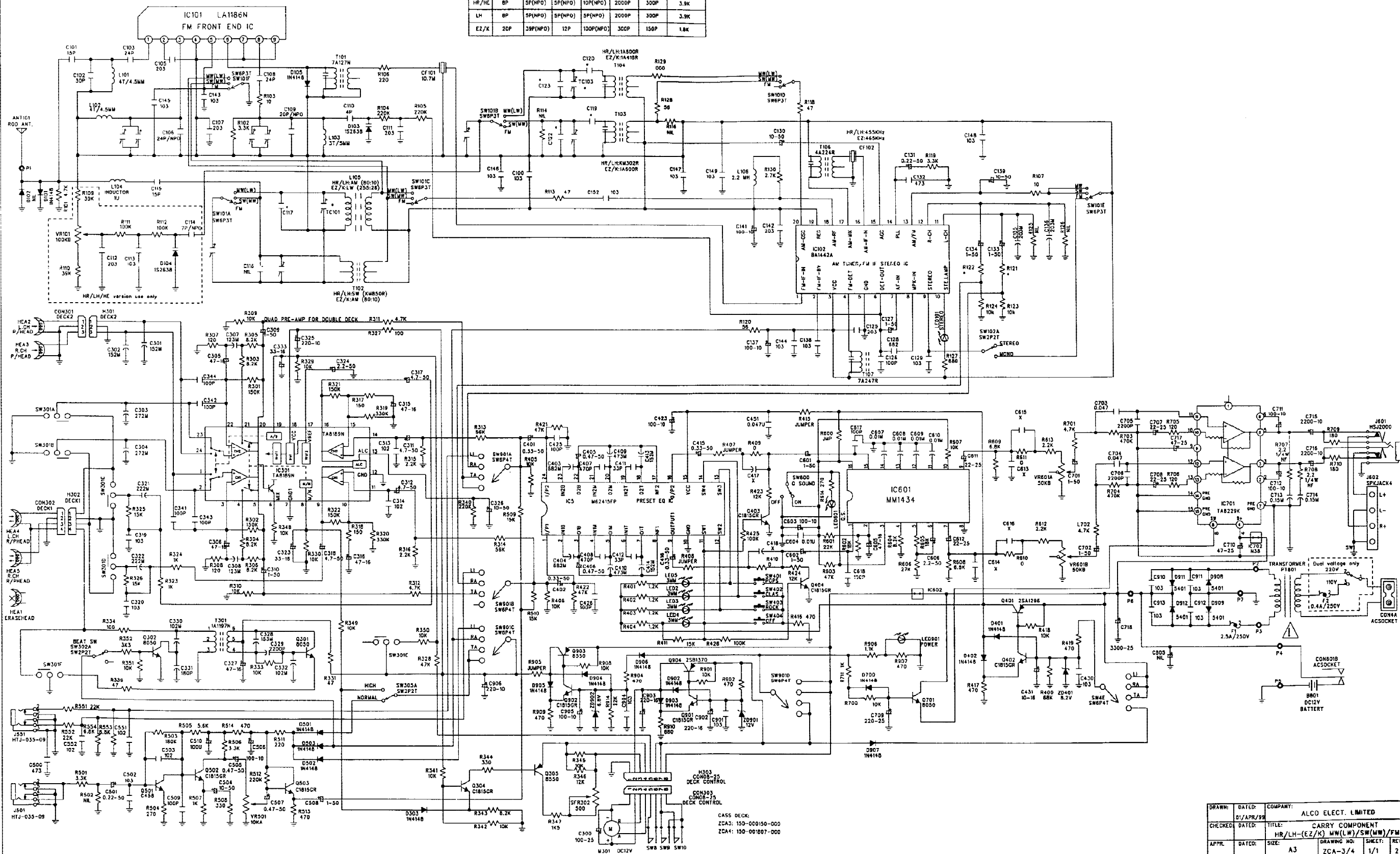
AIWA CA-W54MK2 SCHEMATIC DIAGRAM _ 1(MAIN)<V>



DRAWN:	DATED:	COMPANY:
CHECKED:	DATED:	TITLE:
APPR:	DATED:	SIZE:
		DRAWING NO:
		SHEET:
		REV:

SCHEMATIC DIAGRAM - 2(MAIN)<EZ>

* TC101/TC103	C122	C123	C119	C120	R121/R122	
HR/LH	BP	5P(NP0)	10P(NP0)	2000P	300P	3.9K
LH	BP	5P(NP0)	5P(NP0)	2000P	300P	3.9K
EZ/K	20P	39P(NP0)	12P	100P(NP0)	300P	1.8K



DRAWN:	DATE:	COMPANY:
01/APR/98		ALCO ELECT. LIMITED
CHECKED:	DATE:	TITLE:
		CARRY COMPONENT
APPR:	DATE:	SIZE:
		A3
		DRAWING NO:
		ZCA-3/4
		SHEET:
		1/1
		2