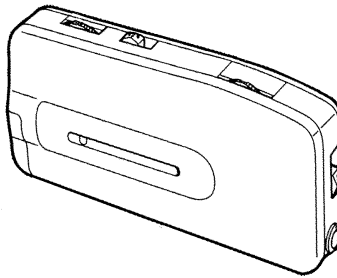




CR-LA10 YZ YH YJ YL



SERVICE MANUAL

STEREO RADIO RECEIVER

aiwa
S/M Code No. 09-994-327-801



SPECIFICATIONS

Frequency range	FM: 87.5 – 108 MHz
Maximum output	7 mW + 7 mW (EIAJ 32 ohms)
Power source	DC 1.5 V using an R03 (size AAA) battery
Output	Headphones jack (Stereo mini jack)
Maximum dimensions	75.6 (W) × 36.2 (H) × 15 (D) mm
Weight	Approx. 26 g (excluding battery)

- Design and specifications are subject to change without notice.

ELECTRICAL MAIN PARTS LIST

DESCRIPTIONで判断できない物は "REFERENCE NAME LIST" を参照してください。
If can't understand for Description please kindly refer to "REFERENCE NAME LIST".

REF. NO	PART NO.	KANRI NO.	DESCRIPTION	REF. NO	PART NO.	KANRI NO.	DESCRIPTION
IC				C38	87-010-587-070		CAP,E 100UF-2V
	87-001-815-080	IC,TA7371AF		C40	87-015-994-810		CAP,E 220UF-4V
	87-A20-076-040	IC,TA2022AFN		CF1	87-008-462-010		CER,FIL SPT10.7MS23H-A
	87-A21-126-040	IC,NJM2096M		CF3	S2-310-010-800		DISCRMINATOR FILTER CDA 10.7
				JK1	S1-210-012-900		JACK,HP ST 3.5MM
TRANSISTOR				L1	S1-110-014-100		COIL,AIR FM 2.5-6.5-0.5
	89-327-143-080	C-TR,2SC27140		L3	87-A50-009-080		C-COIL,22UH
	S0-084-700-030	C-TR,BC847C		L4	87-005-777-080		C-COIL,FIXED 1UH
	S0-085-700-020	C-TR BC857B		L5	87-005-777-080		C-COIL,FIXED 1UH
				L6	87-005-777-080		C-COIL,FIXED 1UH
MAIN C.B				PVC1	S2-010-014-100		FM PVC F28 8.6-8.6-4
BPF1	S4-110-010-402	BPF GFMB5 88-108MHZ		SW1	S3-110-019-800		SW,SLIDE SKY23001-G2-0A
C11	87-010-073-080	CAP,E 3.3UF-50V		SW2	S3-110-019-700		SW,SLIDE 2P2T
C21	87-015-994-810	CAP,E 220UF-4V		T1	S3-010-012-601		FM 5-5-6 MT243-1125A(ORN)
C34	87-010-587-070	CAP,E 100UF-2V		TC1	S4-010-011-800		CERAMIC TRIMER AB110 10PF
C35	87-010-587-070	CAP,E 100UF-2V		TC2	S4-010-011-800		CERAMIC TRIMER AB110 10PF
				VR1	S1-050-340-000		VOL,V0102GPVINI5C50K-9322
				VR2	S4-010-310-000		CHIP TYPE VR TMC3K-B10K-TR

- Regarding connectors, they are not stocked as they are not the initial order items. The connectors are available after they are supplied from connector manufacturers upon the order is received.

チップ抵抗部品コード/CHIP RESISTOR PART CODE

チップ抵抗部品コードの成り立ち

Chip Resistor Part Coding



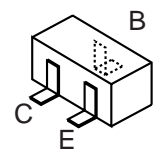
抵抗部品コード
Resistor Code

桁表示
Figure
抵抗値
Value of resistor

チップ抵抗 Chip resistor

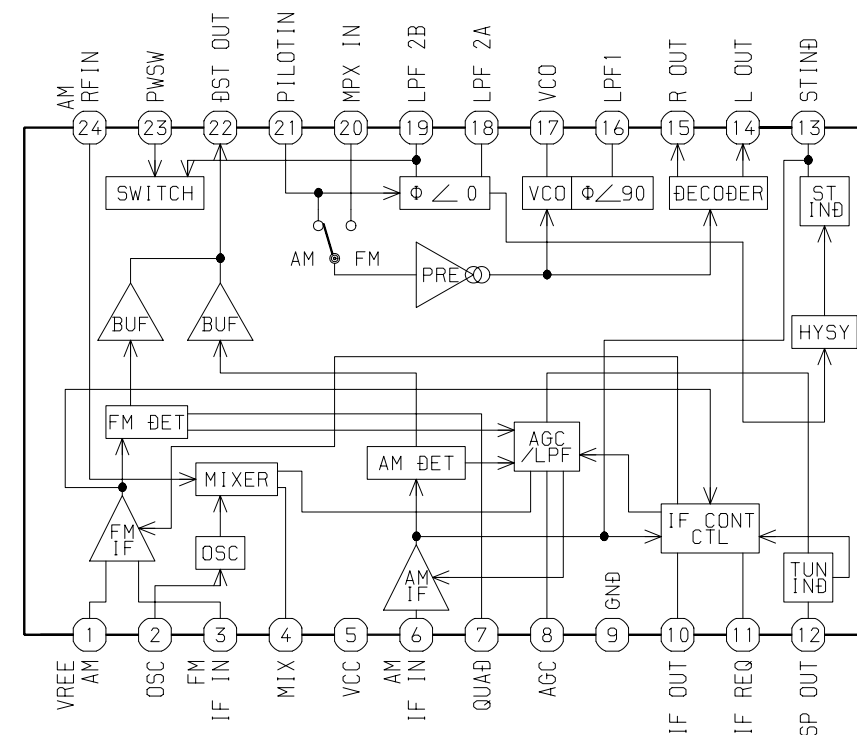
容量 Wattage	種類 Type	許容誤差 Tolerance	記号 Symbol	寸法/Dimensions (mm)			抵抗コード : A Resistor Code : A	
				外形/Form	L	W		t
1/16W	1005	± 5%	CJ		1.0	0.5	0.35	104
1/16W	1608	± 5%	CJ		1.6	0.8	0.45	108
1/10W	2125	± 5%	CJ		2	1.25	0.45	118
1/8W	3216	± 5%	CJ		3.2	1.6	0.55	128

TRANSISTOR ILLUSTRATION

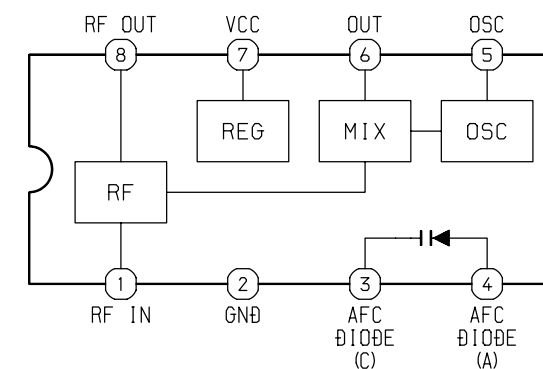


2SC27140
BC847C
BC857B

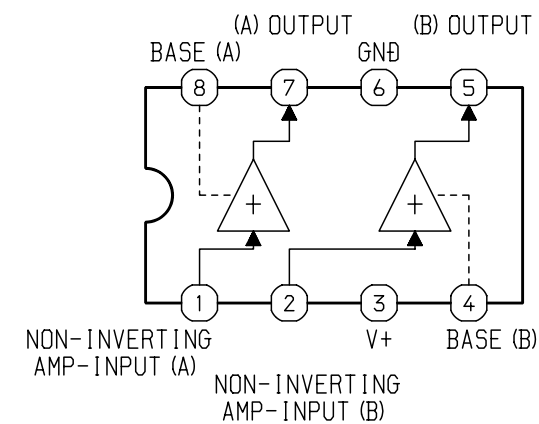
IC BLOCK DIAGRAM IC, TA2022AFN

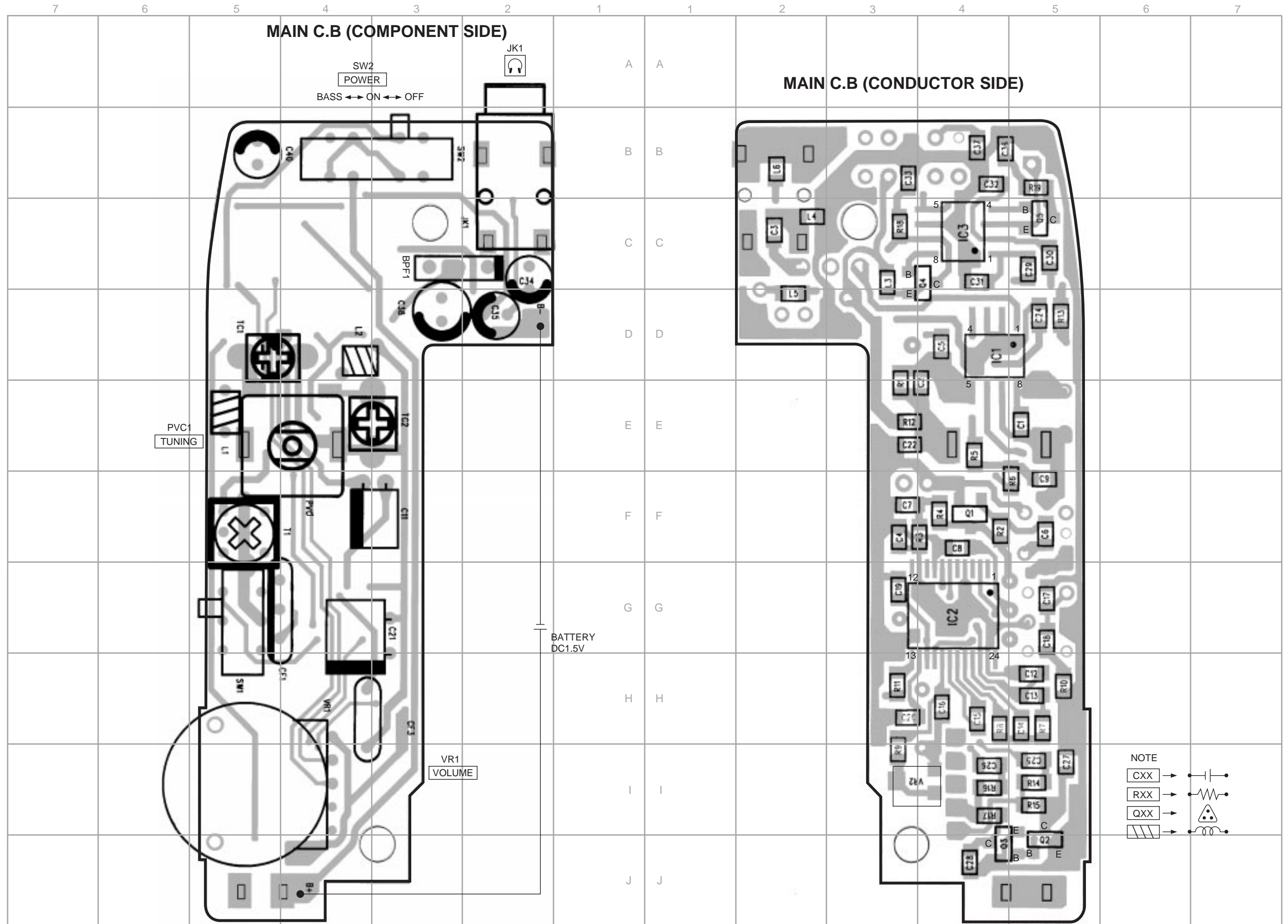


IC, TA7371AF

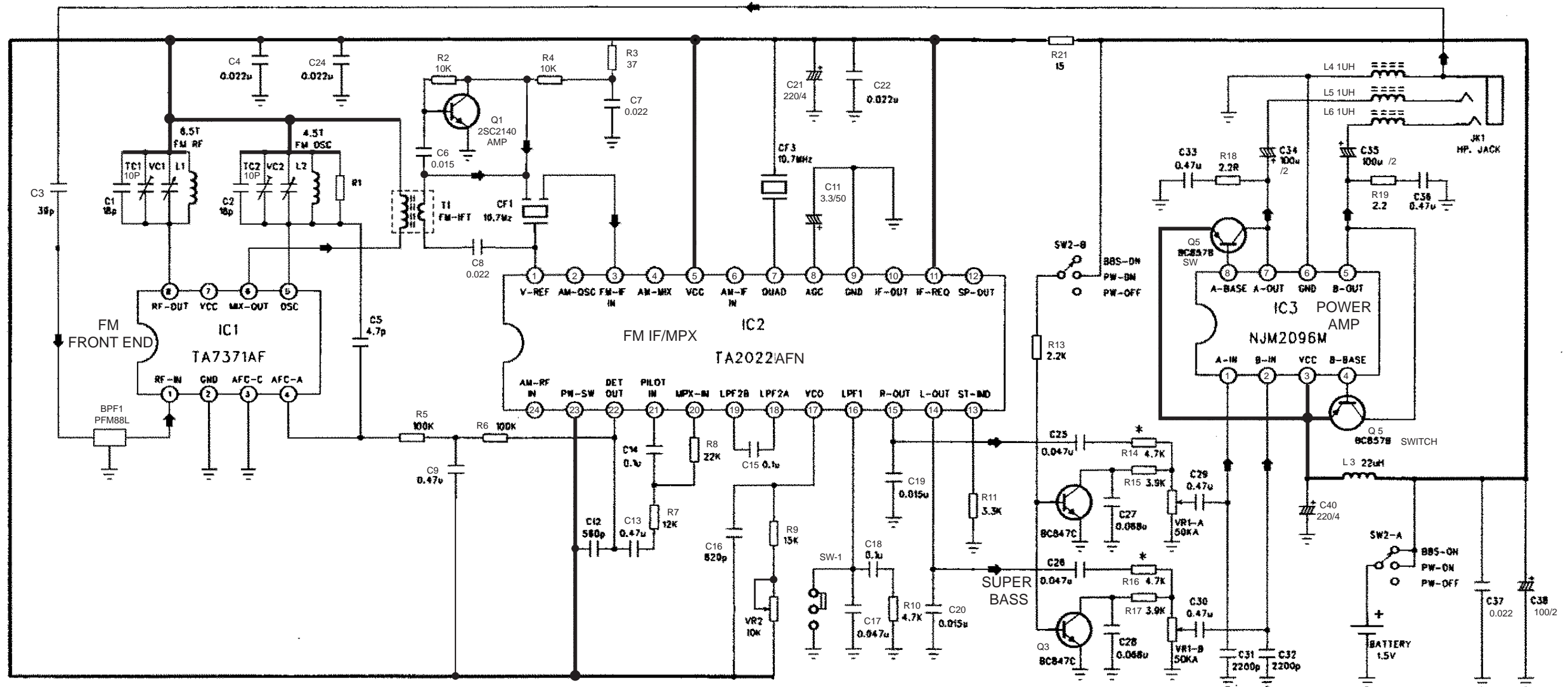


IC, NJM2096M





MAIN C.B

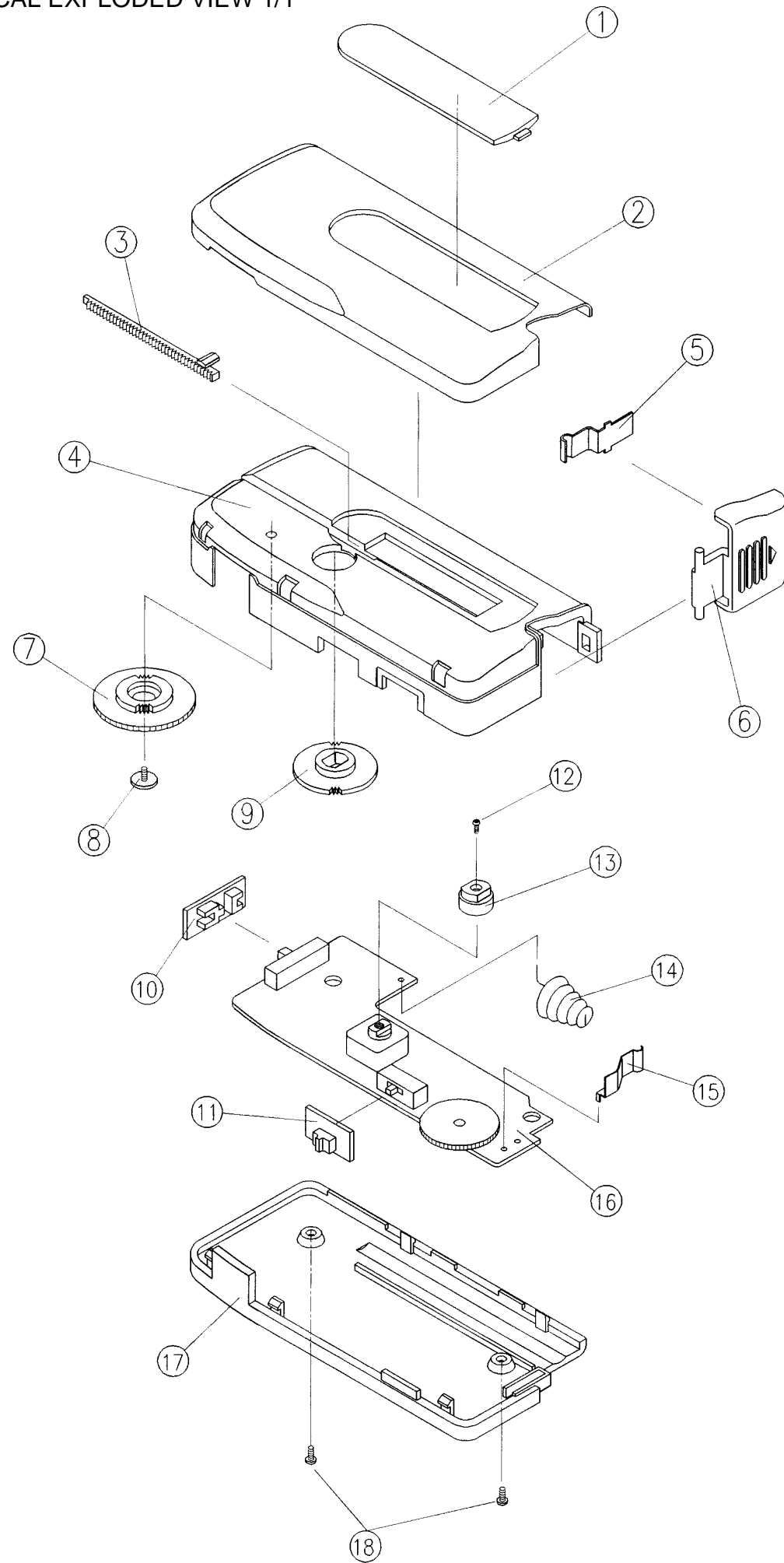


IC1	1	2	3	4	5	6	7	8	Q1,Q2				
ON	0	0	1.48	0.8	0.7	0	0.7	0.85	BASS OFF	0.64	0	0	
									BASS ON	-	0	0	

IC2	1	2	3	4	5	6	7	8	9	10	11	12
FM	0.9	1.36	0.9	-	1.36	1.36	1.36	-	0	-	1.36	-

IC2	13	14	15	16	17	18	19	20	21	22	23	24
FM	-	0.55	0.55	-	1.26	-	-	0.1	0.1	0.9	1.36	0

IC3	1	2	3	4	5	6	7	8	Q3,Q4				
ON	0	0	1.48	0.8	0.7	0	0.7	0.85	ON	1.48	0.7	0.8	



MECHANICAL PARTS LIST 1/1

DESCRIPTIONで判断できない物は "REFERENCE NAME LIST" を参照してください。
If can't understand for Description please kindly refer to "REFERENCE NAME LIST".

REF. NO	PART NO.	KANRI NO.	DESCRIPTION
1	S0-801-140-100		LENS,DIAL<YL>
1	S0-801-140-200		LENS,DIAL YJ/YH<YJ,YH>
1	S0-801-140-000		LENS,DIAL(CRLA10YZ)<YZ>
2	S1-300-010-000		PANEL,FRONT
3	S0-700-390-000		POINTER,TUNING
4	S1-001-013-800		CABI,FRONT
5	S0-401-730-000		BAT-CONTACT DOOR
6	S0-301-360-000		DOOR,BATTERY
7	S0-503-190-000		KNOB,RTRY TUNING
8	87-254-033-410		PAN-WASHER S-SCREW M2-4(T)
9	S1-700-710-000		GEAR,DIAL
10	S0-503-180-000		KNOB,SL POWER
11	S0-503-170-000		KNOB,SL MO/ST
12	87-067-756-010		S-SCREW,1.4-4
13	S1-900-070-000		DRUM,DIAL
14	S0-201-700-000		SPR-C,BATT
15	S0-401-740-000		BAT-CONTACT PCB
17	S0-201-380-300		CABI,REAR<YL>
17	S0-201-380-200		CABI,REAR YJ<YJ>
17	S0-201-490-300		CABI,REAR(CRLA10YH/YL)<YH>
17	S0-201-490-100		CABI,REAR(CRLA10YZ)<YZ>
18	87-266-531-310		S-SCREW 1.7-5

COLOR NAME TABLE

Basic color symbol	Color	Basic color symbol	Color	Basic color symbol	Color
B	Black	C	Cream	D	Orange
G	Green	H	Gray	L	Blue
LT	Transparent Blue	N	Gold	P	Pink
R	Red	S	Silver	ST	Titan Silver
T	Brown	V	Violet	W	White
WT	Transparent White	Y	Yellow	YT	Transparent Yellow
LM	Metallic Blue	LL	Light Blue	GT	Transparent Green
LD	Dark Blue	DT	Transparent Orange		

ACCESSORIES/PACKAGE LIST

DESCRIPTIONで判断できない物は "REFERENCE NAME LIST" を参照してください。
If can't understand for Description please kindly refer to "REFERENCE NAME LIST".

REF. NO	PART NO.	KANRI NO.	DESCRIPTION
1	S1-210-013-800		INNERPHONE 3.5MM ST
2	S0-302-892-000		INSTRUC,BOOK(CRLA10YZ)<YZ>
2	S0-302-893-000		INSTRUC,BOOK(CRLA10YZ,PHC)<YZ>
2	S0-302-890-000		INSTRUCTION BOOK YH/YJ(ECC)<YJ,YH>
2	S0-302-891-000		INSTRUCTION BOOK YL<YL>

サービス技術ニュース	
番号	連絡内容
G- -	
G- -	
G- -	

アイワ株式会社 〒110 東京都台東区池之端1-2-11 ☎03 (3827) 3111 (代表)
AIWA CO.,LTD. 2-11, IKENOHATA 1-CHOME, TAITO-KU, TOKYO 110, JAPAN TEL:03 (3827) 3111