

aiwa



CS-P50

STEREO RADIO CASSETTE
RECORDER

• BASIC TAPE MECHANISM: TN-9ZR-202

• TYPE: HRJ,K,EZ

SIMPLE MANUAL

• Replace this Service Manual with "Revision Publishing" when it is issued.

S/M Code No. 09-986-284-90A

MANUAL
SERVICE

ELECTRICAL MAIN PARTS LIST - 1

NOTE: The characters in the suffix column indicate the part usage.

HRJSXX.....	A
HRJLXX.....	B
KBNCXX.....	C
EZBCXX.....	D
EZSCXX.....	E
EZLCXX.....	F

REF.NO	PARTS NO.	KANRI NO.	DESCRIPTION	SUFFIX
C	208	87-010-263-080	0E CAP, ELECT 100-10V	ABCDEF
C	205	87-010-263-080	0E CAP, ELECT 100-10V	ABCDEF
C	209	87-010-404-080	0E CAP, ELECT 4.7-50V	ABCDEF
C	203	87-010-404-080	0E CAP, ELECT 4.7-50V	ABCDEF
C	204	87-010-404-080	0E CAP, ELECT 4.7-50V	ABCDEF
C	207	87-010-404-080	0E CAP, ELECT 4.7-50V	ABCDEF
C	211	87-010-263-080	0E CAP, ELECT 100-10V	ABCDEF
C	217	87-018-123-080	0E CAP, CER 220P-50V	ABCDEF
C	216	87-018-123-080	0E CAP, CER 220P-50V	ABCDEF
C	223	87-010-248-080	0E CAP, ELECT 220-10V	ABCDEF
C	229	87-010-400-080	0E CAP, ELECT 0.47-50V	ABCDEF
C	228	87-010-400-080	0E CAP, ELECT 0.47-50V	ABCDEF
C	226	87-018-134-080	0E CAPACITOR,TC-U 0.01-16	ABCDEF
C	227	87-018-134-080	0E CAPACITOR,TC-U 0.01-16	ABCDEF
C	230	87-010-221-080	0E CAP, ELECT 470-10V	ABCDEF
C	231	87-010-378-080	0E CAP, ELECT 10-16V	ABCDEF
C	232	87-018-209-080	0E CAP, CER 0.1-50V	ABCDEF
C	303	87-010-263-080	0E CAP, ELECT 100-10V	ABCDEF
C	304	87-010-374-080	0E CAP, ELECT 47-10V	ABCDEF
C	305	87-010-402-080	0E CAP, ELECT 2.2-50V	ABCDEF
C	301	87-010-404-080	0E CAP, ELECT 4.7-50V	ABCDEF
C	302	87-010-404-080	0E CAP, ELECT 4.7-50V	ABCDEF
C	306	87-010-404-080	0E CAP, ELECT 4.7-50V	ABCDEF
C	307	87-010-404-080	0E CAP, ELECT 4.7-50V	ABCDEF
C	308	87-018-134-080	0E CAPACITOR,TC-U 0.01-16	ABCDEF
C	309	87-018-134-080	0E CAPACITOR,TC-U 0.01-16	ABCDEF
C	318	87-010-401-080	0E CAP, ELECT 1-50V	ABCDEF
C	317	87-010-401-080	0E CAP, ELECT 1-50V	ABCDEF
C	319	87-018-131-080	0E CAP, CER 1000P-50V	ABCDEF
C	310	87-018-134-080	0E CAPACITOR,TC-U 0.01-16	ABCDEF
C	311	87-018-134-080	0E CAPACITOR,TC-U 0.01-16	ABCDEF
C	321	87-010-263-080	0E CAP, ELECT 100-10V	ABCDEF
C	322	87-010-263-080	0E CAP, ELECT 100-10V	ABCDEF
C	324	87-010-263-080	0E CAP, ELECT 100-10V	ABCDEF
C	328	87-010-375-080	0E CAP,E 330-10 SME	ABCDEF
C	327	87-010-375-080	0E CAP,E 330-10 SME	ABCDEF
C	320	87-018-131-080	0E CAP, CER 1000P-50V	ABCDEF
C	326	87-018-209-080	0E CAP, CER 0.1-50V	ABCDEF
C	325	87-018-209-080	0E CAP, CER 0.1-50V	ABCDEF
C	335	87-010-236-080	1A CAP,E 1000-10 SME	ABCDEF
C	334	87-010-248-080	0E CAP, ELECT 220-10V	ABCDEF
C	332	87-010-263-080	0E CAP, ELECT 100-10V	ABCDEF
C	331	87-010-374-080	0E CAP, ELECT 47-10V	ABCDEF
C	330	87-010-401-080	0E CAP, ELECT 1-50V	ABCDEF
C	336	87-018-209-080	0E CAP, CER 0.1-50V	ABCDEF
D	205	87-017-074-080	ZENER,HZS3B3	ABCDEF
D	203	87-070-345-080	0E DIODE,IN4148	ABCDEF
D	202	87-070-345-080	0E DIODE,IN4148	ABCDEF
D	201	87-070-345-080	0E DIODE,IN4148	ABCDEF
D	204	87-070-345-080	0E DIODE,IN4148	ABCDEF
D	301	87-A40-162-010	1A LED,L-1154SRD	ABCDEF
IC	201	87-027-761-010	1C IC,AN7310	ABCDEF
IC	202	88-CS7-613-010	IC,KA2402	ABCDEF
IC	301	86-YW2-618-010	IC,KA2209	ABCDEF
IC	302	87-A20-946-040	1D C-IC,MM1434XF	ABCDEF
J	2	88-CL5-608-010	JACK,3.6 S W/SW	ABCDEF
J	1	88-CS7-618-010	JACK,DC 6	ABCDEF
MIC	1	88-CS8-625-010	MIC,ECM	ABCDEF
Q	202	87-CD7-603-080	0E TR,8050C	ABCDEF
Q	201	87-CD7-603-080	0E TR,8050C	ABCDEF
Q	301	87-CD7-603-080	0E TR,8050C	ABCDEF
SW	102	88-CS8-622-010	SW,2P-4T (FUNC)	ABCDEF
SW	202	88-CS8-623-010	SW,2P-1T (BEAT)	ABCDEF
SW	201	88-CS8-624-010	SW,2P-10T (R/P)	ABCDEF
SW	301	88-CS8-621-010	SW,2P-2T (Q-SOUND)	ABCDEF
T	201	87-007-342-010	0E COIL,OSC 85K BIAS	ABCDEF
VR	302	87-A90-309-010	SFR,2K H 6.3	ABCDEF
VR	301	87-A90-661-010	VR,RTRY 50KB H RK14K12C0	ABCDEF
C	104	87-018-100-080	0E CAP, CER 4.7P-50V	ABCDEF
C	107	87-018-105-080	0E CAP,TC-U 12P-50 SL	ABCDEF
C	102	87-018-113-080	0E CAP, CER 33P-50V	ABCDEF
C	108	87-018-132-080	0E CAP, CER 2200P-16V	ABCDEF
C	106	87-018-134-080	0E CAPACITOR,TC-U 0.01-16	ABCDEF
C	109	87-018-134-080	0E CAPACITOR,TC-U 0.01-16	ABCDEF
C	101	87-018-176-080	0E CAP, CERA-SOL SS 22P UJ	ABCDEF
C	103	87-018-176-080	0E CAP, CERA-SOL SS 22P UJ	ABCDEF
C	119	87-010-400-080	0E CAP, ELECT 0.47-50V	ABCDEF
C	117	87-010-545-080	0E CAP, ELECT 0.22-50V	ABCDEF
C	118	87-010-545-080	0E CAP, ELECT 0.22-50V	ABCDEF
C	111	87-018-101-080	0E CAP,TC-U 5.6P-50 SL	ABCDEF
C	112	87-018-113-080	0E CAP, CER 33P-50V	ABCDEF
C	116	87-018-132-080	0E CAP, CER 2200P-16V	ABCDEF

ELECTRICAL MAIN PARTS LIST - 2

C	110	87-018-132-080	0E	CAP, CER 2200P-16V	ABCDEF.....
C	113	87-018-142-080	0E	CAP, TC-U 3.9P-50 CH	ABCDEF.....
C	127	87-010-378-080	0E	CAP, ELECT 10-16V	ABCDEF.....
C	120	87-010-403-080	0E	CAP, ELECT 3.3-50V	ABCDEF.....
C	126	87-010-545-080	0E	CAP, ELECT 0.22-50V	ABCDEF.....
C	125	87-010-545-080	0E	CAP, ELECT 0.22-50V	ABCDEF.....
C	122	87-018-132-080	0E	CAP, CER 2200P-16V	ABCDEF.....
C	128	87-018-208-080	0E	CAP 0.047-50F	ABCDEF.....
C	129	87-018-208-080	0E	CAP 0.047-50F	ABCDEF.....
C	130	87-010-248-080	0E	CAP, ELECT 220-10V	ABCDEF.....
C	131	87-010-379-080	0E	CAP, ELECT 22-16V	ABCDEF.....
C	132	87-018-101-080	0E	CAP, TC-U 5.6P-50 SL	ABCDEF.....
C	136	87-018-205-080	0E	CAP, CERA-SOL 0.022	ABCDEF.....
C	134	87-018-209-080	0E	CAP, CER 0.1-50V	ABCDEF.....
C	135	87-018-209-080	0E	CAP, CER 0.1-50V	ABCDEF.....
CF	102	87-008-261-010	1A	FILTER, SFE10.7MA5-A	ABCDEF.....
CS	101	85-HRL-611-010		FLTR, SFU 455B	ABCDEF.....
D	102	87-070-345-080	0E	DIODE, IN4148	ABCDEF.....
D	101	87-070-345-080	0E	DIODE, IN4148	ABCDEF.....
D	103	87-A40-226-080	0E	VARI-CAP, SVC251SPA	ABCDEF.....
IC	3	87-A20-955-010		IC, LA1828	ABCDEF.....
L	0	88-CS8-610-010		COIL, BAR ANT AM	ABCDEF.....
L	102	88-CS8-611-010		COIL, FM ANT 4.5-4T	ABCDEF.....
L	104	88-CS8-612-010		COIL, FM RF 3.0-7T	ABCDEF.....
L	105	88-CS8-613-010		COIL, FM OSC 2.5-6T	ABCDEF.....
L	106	88-CS8-615-010		COIL, AM OSC 621R	ABCDEF.....
L	107	88-CS8-616-010		COIL, AM IFT 4A625F	ABCDEF.....
L	108	88-CS8-617-010		COIL, FM IFT 7A121N	ABCDEF.....
L	109	88-CS8-618-010		COIL, FM DET 7A161R	ABCDEF.....
Q	101	87-A30-092-080	0E	FET, 2SK439E/F	ABCDEF.....
Q	102	89-319-233-080	0E	TR, 2SC1923 (0.1W)	ABCDEF.....
SW	101	88-CS8-620-010		SW, 3P-2T (BAND)	ABCDEF.....
VC	1	88-CS8-619-010		TUN-CAP, 1633W	ABCDEF.....

MECHANICAL PARTS LIST - 1

NOTE: The characters in the suffix column indicate the part usage.

HRJSXX.....	A.....
HRJLXX.....	B.....
KBNCXX.....	C.....
EZBCXX.....	D.....
EZSCXX.....	E.....
EZLCXX.....	F.....

REF.NO	PARTS NO.	KANRI NO.	DESCRIPTION	SUFFIX	
	88-CS8-002-010		CABI, REAR	..CD.....	
	88-CS8-003-010		BOX, CASS	..CD.....	
	88-CS8-005-010		PANEL, CASS	ABCDEF.....	
	88-CS8-006-010		LID, BATT	..CD.....	
	88-CS8-015-010		GRIP-HANDL,	..CD.....	
	88-CS8-016-010		POINTER, TU	ABCDEF.....	
	88-CS8-018-010		GRILLE, SP L	..CD.....	
	88-CS8-019-010		GRILLE, SP R	..CD.....	
	88-CS8-021-010		CABI, FR EX	..CD.....	
	88-CS8-026-010		WINDOW, CASS EX	ABCDEF.....	
	88-CS8-042-010		CABI, FR EX S	A...E.....	
	88-CS8-043-010		CABI, REAR S	A...E.....	
	88-CS8-045-010		BOX, CASS S	A...E.....	
	88-CS8-046-010		LID, BATT S	A...E.....	
	88-CS8-047-010		GRIP-HANDL, S	A...E.....	
	88-CS8-048-010		GRILLE, SP L S	A...E.....	
	88-CS8-049-010		GRILLE, SP R S	A...E.....	
	88-CS8-052-010		CABI, FR EX L	.B...F.....	
	88-CS8-053-010		CABI, REAR L	.B...F.....	
	88-CS8-055-010		BOX, CASS L	.B...F.....	
	88-CS8-056-010		LID, BATT L	.B...F.....	
	88-CS8-057-010		GRIP-HANDL, L	.B...F.....	
	88-CS8-058-010		GRILLE, SP L L	.B...F.....	
	88-CS8-059-010		GRILLE, SP R L	.B...F.....	
	88-CS8-007-010		KEY, CASS STOP	ABCDEF.....	
	88-CS8-008-010		KEY, CASS FWD	ABCDEF.....	
	88-CS8-009-010		KEY, CASS REW	ABCDEF.....	
	88-CS8-010-010		KEY, CASS PLAY	ABCDEF.....	
	88-CS8-011-010		KEY, CASS REC	ABCDEF.....	
	88-CS8-012-010		KNOB, SL FUN	ABCDEF.....	
	88-CS8-013-010		KNOB, RTRY VOL	ABCDEF.....	
	88-CS8-014-010		KNOB, RTRY TU	ABCDEF.....	
	88-CS8-017-010		BTN, Q SOUND	ABCDEF.....	
	88-CS8-201-010		GEAR, PVC	ABCDEF.....	
	88-CS8-202-010		BOX, BATT L	ABCDEF.....	
	88-CS8-203-010		BOX, BATT R	ABCDEF.....	
	88-CS8-206-010		PLATE, REC	ABCDEF.....	
ANT	0		88-CS7-626-010	ANT, ROD P7 TYPE	ABCDEF.....
SP	0		88-CS7-625-010	SPKR, 55MM 4OHM	ABCDEF.....

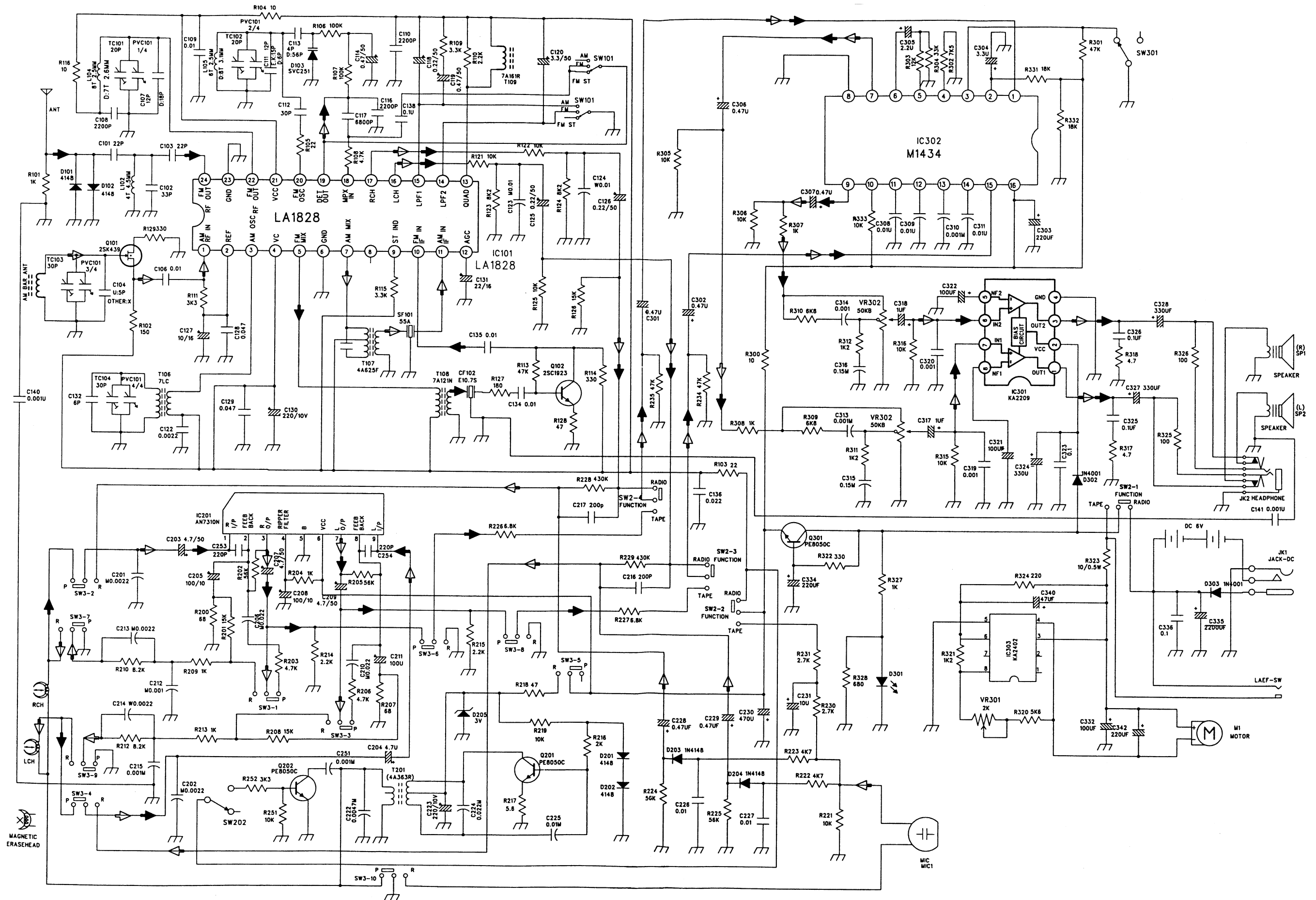
ACCESSORIES LIST - 1

NOTE: The characters in the suffix column indicate the part usage.

HRJSXX.....	A.....
HRJLXX.....	B.....
KBNCXX.....	C.....
EZBCXX.....	D.....
EZSCXX.....	E.....
EZLCXX.....	F.....

REF.NO	PARTS NO.	KANRI NO.	DESCRIPTION	SUFFIX
	88-CS8-907-010	IB,ECA		AB.....
	88-CS8-908-010	IB,9L		..CDEF.....
	87-B30-164-010	AC ADAPTOR,AC-D602E		..DEF.....
	87-B30-165-010	AC ADAPTOR,AC-D602K		..C.....
	87-B30-166-010	AC ADAPTOR,AC-D602H		AB.....

SCHEMATIC DIAGRAM - 1



サービス技術ニュース	
番号	連絡内容
G- -	
G- -	
G- -	

アイワ株式会社
AIWA CO.,LTD.

737004

Tokyo Japan