

# aiwa



## CSD-ES255 CSD-ES355

---

COMPACT DISC STEREO  
RADIO CASSETTE RECORDER

---

- BASIC TAPE MECHANISM: TN-21ZVC-1796
- BASIC CD MECHANISM: KSM-2131BDM

- TYPE: D,HE,K,EZ,LH,U(255)  
LH(355)

**SIMPLE MANUAL**

- Replace this Service Manual with "Revision Publishing" when it is issued.

S/M Code No. 09-986-258-90A

MANUAL  
SERVICE

# ELECTRICAL MAIN PARTS LIST - 1 (CSD-ES255)

NOTE: The characters in the suffix column indicate the part usage.

S	.....	OO	.....	A
L	.....	OO	.....	B
HEJST	.....	XX	.....	C
KST	.....	XX	.....	D
EZL	.....	XX	.....	E
EZST	.....	XX	.....	F
LHST	.....	XX	.....	G
U1L	.....	XX	.....	H
U1ST	.....	XX	.....	I

REF.NO	PARTS NO.	KANRI NO.	DESCRIPTION	SUFFIX
C	408	87-010-112-080	CAP, ELECT 100-16V	ABCDEFGHI
C	401	87-010-374-080	0E CAP, ELECT 47-10V	ABCDEFGHI
C	402	87-010-402-080	0E CAP, ELECT 2.2-50V	ABCDEFGHI
C	409	87-010-405-080	0E CAP, ELECT 10-50V	ABCDEFGHI
C	407	87-018-209-080	0E CAP, CER 0.1-50V	ABCDEFGHI
C	410	87-010-401-080	0E CAP, ELECT 1-50V	ABCDEFGHI
C	415	87-010-401-080	0E CAP, ELECT 1-50V	ABCDEFGHI
C	411	87-010-401-080	0E CAP, ELECT 1-50V	ABCDEFGHI
C	414	87-010-401-080	0E CAP, ELECT 1-50V	ABCDEFGHI
C	412	87-018-202-080	0E CAP,CERAM.6800PF	ABCDEFGHI
C	413	87-018-202-080	0E CAP,CERAM.6800PF	ABCDEFGHI
IC	401	87-A20-946-040	1D C-IC,MM1434XF	ABCDEFGHI
S	401	87-A90-815-010	SW,PUSH 2-2-6 SPUN19-S-501	ABCDEFGHI
C	703	87-010-112-080	CAP, ELECT 100-16V	ABCDEFGHI
C	702	87-010-112-080	CAP, ELECT 100-16V	ABCDEFGHI
C	704	87-010-235-080	0E CAP,E 470-16 SME	ABCDEFGHI
C	705	87-010-235-080	0E CAP,E 470-16 SME	ABCDEFGHI
C	707	87-010-235-080	0E CAP,E 470-16 SME	ABCDEFGHI
C	706	87-010-235-080	0E CAP,E 470-16 SME	ABCDEFGHI
C	701	87-010-384-080	0E CAP, ELECT 100-25V	ABCDEFGHI
C	710	87-010-101-080	0E CAP, ELECT 220-16	ABCDEFGHI
C	712	87-010-380-080	0E CAP, ELECT 47-16V	ABCDEFGHI
C	711	87-010-380-080	0E CAP, ELECT 47-16V	ABCDEFGHI
C	716	87-010-400-080	0E CAP, ELECT 0.47-50V	ABCDEFGHI
C	715	87-010-400-080	0E CAP, ELECT 0.47-50V	ABCDEFGHI
IC	701	87-CD7-602-010	IC,TA8227P	ABCDEFGHI
J	701	87-009-216-010	1A JACK, DIA 3.5	ABCDEFGHI
PN	701	88-CD7-610-010	CONN,3P V	ABCDEFGHI
C	106	87-010-379-080	0E CAP, ELECT 22-16V	ABCDEFGHI
C	105	87-010-379-080	0E CAP, ELECT 22-16V	ABCDEFGHI
C	101	87-010-401-080	0E CAP, ELECT 1-50V	ABCDEFGHI
C	102	87-010-401-080	0E CAP, ELECT 1-50V	ABCDEFGHI
C	109	87-010-405-080	0E CAP, ELECT 10-50V	ABCDEFGHI
C	117	87-010-112-080	CAP, ELECT 100-16V	ABCDEFGHI
C	113	87-010-374-080	0E CAP, ELECT 47-10V	ABCDEFGHI
C	110	87-010-405-080	0E CAP, ELECT 10-50V	ABCDEFGHI
C	122	87-010-101-080	0E CAP, ELECT 220-16	ABCDEFGHI
C	120	87-018-119-080	0E CAP, CER 100P-50V	ABCDEFGHI
C	121	87-018-119-080	0E CAP, CER 100P-50V	ABCDEFGHI
D	103	87-020-465-080	0E DIODE,1SS133 (110MA)	ABCDEFGHI
D	101	87-020-465-080	0E DIODE,1SS133 (110MA)	ABCDEFGHI
D	102	87-020-465-080	0E DIODE,1SS133 (110MA)	ABCDEFGHI
IC	101	87-027-761-010	1C IC,AN7310	ABCDEFGHI
L	101	88-CD7-641-010	COIL, AC-BIASOSC	ABCDEFGHI
PN	102	87-099-543-010	CONN,10P TKC-M10P-B1	ABCDEFGHI
PN	101	88-CD7-609-010	CONN,4P V	ABCDEFGHI
Q	101	87-026-462-080	0E TR,2SC1740 S(RS 0.3W)	ABCDEFGHI
Q	103	87-026-462-080	0E TR,2SC1740 S(RS 0.3W)	ABCDEFGHI
Q	102	87-026-462-080	0E TR,2SC1740 S(RS 0.3W)	ABCDEFGHI
S	101	88-CD8-614-010	SW,PUSH 1-6-2 REC	ABCDEFGHI
C	806	87-010-101-080	0E CAP, ELECT 220-16	ABCDEFGHI
C	809	87-010-101-080	0E CAP, ELECT 220-16	ABCDEFGHI
C	804	87-010-112-080	CAP, ELECT 100-16V	ABCDEFGHI
C	808	87-010-260-080	0E CAP, ELECT 47-25V	ABCDEFGHI
C	801	87-010-390-090	1B CAP ELECT 25-3300SME	ABCDEFGHI
C	802	87-018-134-080	0E CAPACITOR,TC-U 0.01-16	ABCDEFGHI
C	805	87-018-134-080	0E CAPACITOR,TC-U 0.01-16	ABCDEFGHI
C	803	87-018-134-080	0E CAPACITOR,TC-U 0.01-16	ABCDEFGHI
C	807	87-018-205-080	0E CAP, CERA-SOL 0.022	ABCDEFGHI
C	810	87-010-101-080	0E CAP, ELECT 220-16	ABCDEFGHI
C	813	87-018-205-080	0E CAP, CERA-SOL 0.022	ABCDEFGHI
C	811	87-018-205-080	0E CAP, CERA-SOL 0.022	ABCDEFGHI
C	812	87-018-205-080	0E CAP, CERA-SOL 0.022	ABCDEFGHI
C	814	87-018-205-080	0E CAP, CERA-SOL 0.022	ABCDEFGHI
D	802	87-017-932-080	0E ZENER,MTJ6.2B	ABCDEFGHI
D	804	87-020-465-080	0E DIODE,1SS133 (110MA)	ABCDEFGHI
D	803	87-020-465-080	0E DIODE,1SS133 (110MA)	ABCDEFGHI
D	807	87-A40-465-010	DIODE,FR202	ABCDEFGHI
D	805	87-A40-465-010	DIODE,FR202	ABCDEFGHI
D	808	87-A40-465-010	DIODE,FR202	ABCDEFGHI
D	806	87-A40-465-010	DIODE,FR202	ABCDEFGHI
D	801	88-CD8-618-010	ZENER,MTZJ9.1B	ABCDEFGHI
ICF	801	87-A90-091-080	1A PROTECTOR,2A 491	ABCDEFGHI
J	801	87-A60-177-010	1A JACK,AC U W/SW	.....HI
J	801	87-A60-178-010	JACK,AC E W/SW	..CDEFG
J	801	87-A60-179-010	JACK,AC D W/SW	AB.....HI
PN	801	88-CD7-609-010	CONN,4P V	ABCDEFGHI
PN	802	88-CD7-609-010	CONN,4P V	ABCDEFGHI
PT	801	88-CD7-602-010	PT,D 8CD-7	AB.....HI

# ELECTRICAL MAIN PARTS LIST - 2 (CSD-ES255)

PT	801	88-CD7-603-010	PT,U 8CD-7	.....HI.....
PT	801	88-CD7-604-010	PT,E 8CD-7	...DEF.....
PT	801	88-CD7-605-010	PT,H 8CD-7	..C...G.....
Q	803	87-026-462-080	OE TR,2SC1740 S(RS 0.3W)	ABCDEFGHI.....
Q	801	88-CD8-617-010	TR,2SC2497R	ABCDEFGHI.....
Q	802	89-112-965-080	OE TR,2SA1296 (0.75W)	ABCDEFGHI.....
S	0	88-CD8-623-010	SW,SL 1-1-2 SS12J01M	..C...G.....
S	801	88-CD8-612-010	SW,SL 2-4-3 FUNC.	ABCDEFGHI.....
S	802	88-CD8-613-010	SW,SL 2-2-3 MO/ST	ABCDEFGHI.....
SP	701	88-CD8-622-010	SPKR,F 77 7OHM 3W	ABCDEFGHI.....
SP	702	88-CD8-622-010	SPKR,F 77 7OHM 3W	ABCDEFGHI.....
C	308	87-010-263-080	OE CAP, ELECT 100-10V	ABCDEFGHI.....
C	302	87-010-374-080	OE CAP, ELECT 47-10V	ABCDEFGHI.....
C	303	87-010-405-080	OE CAP, ELECT 10-50V	ABCDEFGHI.....
C	305	87-018-109-080	OE CAP, CER 22P-50V	ABCDEFGHI.....
C	306	87-018-109-080	OE CAP, CER 22P-50V	ABCDEFGHI.....
C	301	87-018-134-080	OE CAPACITOR,TC-U 0.01-16	ABCDEFGHI.....
C	307	87-018-195-080	OE CAP, CER 1200P-16V	ABCDEFGHI.....
C	304	87-018-208-080	OE CAP 0.047-50F	ABCDEFGHI.....
C	308	87-018-209-080	OE CAP, CER 0.1-50V	ABCDEFGHI.....
C	307	87-018-209-080	OE CAP, CER 0.1-50V	ABCDEFGHI.....
CN	301	87-A60-464-010	CONN,13P V TOC-B	ABCDEFGHI.....
D	306	87-020-465-080	OE DIODE,1SS133 (110MA)	ABCDEFGHI.....
D	308	87-020-465-080	OE DIODE,1SS133 (110MA)	ABCDEFGHI.....
D	307	87-020-465-080	OE DIODE,1SS133 (110MA)	ABCDEFGHI.....
D	309	87-020-465-080	OE DIODE,1SS133 (110MA)	ABCDEFGHI.....
D	305	87-020-465-080	OE DIODE,1SS133 (110MA)	ABCDEFGHI.....
D	302	87-020-465-080	OE DIODE,1SS133 (110MA)	ABCDEFGHI.....
D	301	87-027-405-010	OE ZENER,RD-2.2EB	ABCDEFGHI.....
D	304	87-CD8-603-010	LED, SE3001	ABCDEFGHI.....
D	303	87-CD8-603-010	LED, SE3001	ABCDEFGHI.....
D	310	87-CD8-616-010	LED,SA36-11 HWA-11.0	ABCDEFGHI.....
IC	301	87-CD6-615-010	1F IC,LC651204N-4J70	ABCDEFGHI.....
PN	301	87-009-030-010	OE CONNECTOR 2P PH M	ABCDEFGHI.....
PN	302	87-A60-463-010	CONN,13P H TOC-A	ABCDEFGHI.....
Q	302	87-026-216-080	OE TR,DTA124ES	ABCDEFGHI.....
Q	301	87-026-291-080	OE TR,DTC124XS	ABCDEFGHI.....
SW	301	87-A90-133-010	OE SW LEAF LSA1120JAU	ABCDEFGHI.....
SW	503	87-A90-770-080	SW,TACT TRT134-L4.3	ABCDEFGHI.....
SW	505	87-A90-770-080	SW,TACT TRT134-L4.3	ABCDEFGHI.....
SW	502	87-A90-770-080	SW,TACT TRT134-L4.3	ABCDEFGHI.....
SW	504	87-A90-770-080	SW,TACT TRT134-L4.3	ABCDEFGHI.....
SW	501	87-A90-770-080	SW,TACT TRT134-L4.3	ABCDEFGHI.....
X	301	87-030-328-010	1B VIB,CERA KBR 4.0MSA02	ABCDEFGHI.....
C	501	87-010-112-080	CAP, ELECT 100-16V	ABCDEFGHI.....
C	506	87-010-401-080	OE CAP, ELECT 1-50V	ABCDEFGHI.....
C	502	87-010-401-080	OE CAP, ELECT 1-50V	ABCDEFGHI.....
C	503	87-010-401-080	OE CAP, ELECT 1-50V	ABCDEFGHI.....
C	507	87-010-401-080	OE CAP, ELECT 1-50V	ABCDEFGHI.....
C	508	87-010-405-080	OE CAP, ELECT 10-50V	ABCDEFGHI.....
C	509	87-018-119-080	OE CAP, CER 100P-50V	ABCDEFGHI.....
C	510	87-018-119-080	OE CAP, CER 100P-50V	ABCDEFGHI.....
PN	502	87-009-880-010	1A CONN,10P TKC-T H(M)	ABCDEFGHI.....
PN	501	87-009-880-010	1A CONN,10P TKC-T H(M)	ABCDEFGHI.....
Q	502	89-318-154-080	OE TR,2SC1815 (0.4W)	ABCDEFGHI.....
Q	504	89-318-154-080	OE TR,2SC1815 (0.4W)	ABCDEFGHI.....
Q	503	89-318-154-080	OE TR,2SC1815 (0.4W)	ABCDEFGHI.....
Q	501	89-318-154-080	OE TR,2SC1815 (0.4W)	ABCDEFGHI.....
VR	552	87-A90-816-010	VR,RTRY 50KDX2 1 V RK14K1230	ABCDEFGHI.....
VR	551	87-A90-817-010	VR,RTRY 50KBX2 1 V RK14K12C0	ABCDEFGHI.....
		88-CD8-609-010	CABLE,FFC16P CD	ABCDEFGHI.....
C	204	87-010-248-080	OE CAP, ELECT 220-10V	ABCDEFGHI.....
C	206	87-010-263-080	OE CAP, ELECT 100-10V	ABCDEFGHI.....
C	203	87-010-374-080	OE CAP, ELECT 47-10V	ABCDEFGHI.....
C	201	87-010-379-080	OE CAP, ELECT 22-16V	ABCDEFGHI.....
C	202	87-010-401-080	OE CAP, ELECT 1-50V	ABCDEFGHI.....
C	208	87-010-546-080	OE CAP, ELECT 0.33-50V	ABCDEFGHI.....
C	207	87-012-105-080	OE CAP,TC 0.022-16 Y	ABCDEFGHI.....
C	205	89-663-815-080	CAP,TC 0.01	ABCDEFGHI.....
C	217	87-018-129-080	OE CAP, CER 680P-50V	ABCDEFGHI.....
C	215	87-018-196-080	OE CAP, CER 1500P-16V	ABCDEFGHI.....
C	224	87-010-401-080	OE CAP, ELECT 1-50V	ABCDEFGHI.....
C	221	87-010-401-080	OE CAP, ELECT 1-50V	ABCDEFGHI.....
C	223	87-010-403-080	OE CAP, ELECT 3.3-50V	ABCDEFGHI.....
C	228	87-018-107-080	OE CAP,TC-U 18P-50 SL	ABCDEFGHI.....
C	220	87-018-127-080	OE CAP, CER 470P-50V	ABCDEFGHI.....
C	226	87-018-140-080	OE CAP,TC-U 2.2P-50 CH	ABCDEFGHI.....
C	236	87-010-263-080	OE CAP, ELECT 100-10V	ABCDEFGHI.....
C	234	87-010-401-080	OE CAP, ELECT 1-50V	ABCDEFGHI.....
C	231	87-010-404-080	OE CAP, ELECT 4.7-50V	ABCDEFGHI.....
C	232	87-010-405-080	OE CAP, ELECT 10-50V	ABCDEFGHI.....
C	239	87-018-209-080	OE CAP, CER 0.1-50V	ABCDEFGHI.....
C	242	87-010-374-080	OE CAP, ELECT 47-10V	ABCDEFGHI.....
C	244	87-010-405-080	OE CAP, ELECT 10-50V	ABCDEFGHI.....
C	245	87-010-405-080	OE CAP, ELECT 10-50V	ABCDEFGHI.....
C	248	87-018-109-080	OE CAP, CER 22P-50V	ABCDEFGHI.....
C	249	87-018-109-080	OE CAP, CER 22P-50V	ABCDEFGHI.....
C	240	87-018-121-080	OE CAP, CER 150P-50V	ABCDEFGHI.....
C	241	87-018-199-080	OE CAP, CER 3300P	ABCDEFGHI.....
C	243	87-018-209-080	OE CAP, CER 0.1-50V	ABCDEFGHI.....
C	259	87-010-248-080	OE CAP, ELECT 220-10V	ABCDEFGHI.....
C	251	87-010-263-080	OE CAP, ELECT 100-10V	ABCDEFGHI.....

# ELECTRICAL MAIN PARTS LIST - 3 (CSD-ES255)

C	252	87-018-123-080	0E	CAP, CER 220P-50V	ABCDEFGHI.....
C	253	87-018-209-080	0E	CAP, CER 0.1-50V	ABCDEFGHI.....
C	254	87-018-209-080	0E	CAP, CER 0.1-50V	ABCDEFGHI.....
C	257	87-018-209-080	0E	CAP, CER 0.1-50V	ABCDEFGHI.....
C	258	87-018-209-080	0E	CAP, CER 0.1-50V	ABCDEFGHI.....
C	256	87-018-209-080	0E	CAP, CER 0.1-50V	ABCDEFGHI.....
C	255	87-018-209-080	0E	CAP, CER 0.1-50V	ABCDEFGHI.....
C	250	89-663-815-080		CAP,TC 0.01	ABCDEFGHI.....
C	260	87-010-236-080		CAP,E 1000-10 SME	ABCDEFGHI.....
C	261	87-010-236-080		CAP,E 1000-10 SME	ABCDEFGHI.....
C	266	87-010-374-080	0E	CAP, ELECT 47-10V	ABCDEFGHI.....
C	264	87-010-404-080	0E	CAP, ELECT 4.7-50V	ABCDEFGHI.....
C	267	87-018-209-080	0E	CAP, CER 0.1-50V	ABCDEFGHI.....
C	262	87-018-209-080	0E	CAP, CER 0.1-50V	ABCDEFGHI.....
C	265	89-663-815-080		CAP,TC 0.01	ABCDEFGHI.....
C	263	89-663-815-080		CAP,TC 0.01	ABCDEFGHI.....
CN	203	87-009-797-010	1A	CONN,10P TKC-M X	ABCDEFGHI.....
CN	204	87-009-883-010	1A	CONN,10P TKC-T H(F)	ABCDEFGHI.....
CN	205	87-009-883-010	1A	CONN,10P TKC-T H(F)	ABCDEFGHI.....
CN	201	87-099-018-010	0E	CONN,16P	ABCDEFGHI.....
CN	202	88-CD8-602-010		CONN ASSY,6P CDMT	ABCDEFGHI.....
D	205	87-020-465-080	0E	DIODE,1SS133 (110MA)	ABCDEFGHI.....
D	203	87-020-465-080	0E	DIODE,1SS133 (110MA)	ABCDEFGHI.....
D	204	87-020-465-080	0E	DIODE,1SS133 (110MA)	ABCDEFGHI.....
D	202	87-020-465-080	0E	DIODE,1SS133 (110MA)	ABCDEFGHI.....
D	201	87-020-465-080	0E	DIODE,1SS133 (110MA)	ABCDEFGHI.....
IC	202	87-A20-187-010	2A	IC,LC78622E	ABCDEFGHI.....
IC	201	87-A20-446-010	1D	C-IC,LA9241ML	ABCDEFGHI.....
IC	203	87-A20-856-010	1D	IC,BA6898S	ABCDEFGHI.....
Q	203	87-026-291-080	0E	TR,DTC124XS	ABCDEFGHI.....
Q	201	87-026-463-080	0E	TR,2SA933S (0.3W)	ABCDEFGHI.....
Q	202	89-112-965-080	0E	TR,2SA1296 (0.75W)	ABCDEFGHI.....
Q	204	89-112-965-080	0E	TR,2SA1296 (0.75W)	ABCDEFGHI.....
X	201	81-592-641-010	1A	CERAMIC FILTER, 16.93MHZ	ABCDEFGHI.....
		87-A90-051-010	1B	FLTR,CFAZ-450(TOK)	AB.....
ANT	0	88-CD7-631-010		ANT, AM BAR	ABC...GHI.....
ANT	0	88-CD7-632-010		ANT,ROD FM	AB...GHI.....
C	6	87-010-265-080	0E	CAP, ELECT 33-16V	ABCDEFGHI.....
C	7	87-010-379-080	0E	CAP, ELECT 22-16V	ABCDEFGHI.....
C	9	87-010-380-080	0E	CAP, ELECT 47-16V	ABCDEFGHI.....
C	1	87-018-015-080		CAP,TC-S 20P-50 SL	ABCDEFGHI.....
C	3	87-018-017-080	0E	CONDENSER 24P	ABCDEFGHI.....
C	2	87-018-019-080	0E	CAP,TC-S 30P-50 SL	ABCDEFGHI.....
C	8	87-018-209-080	0E	CAP, CER 0.1-50V	ABC...GHI.....
C	18	87-010-401-080	0E	CAP, ELECT 1-50V	ABCDEFGHI.....
C	19	87-010-403-080	0E	CAP, ELECT 3.3-50V	ABCDEFGHI.....
C	12	87-010-545-080	0E	CAP, ELECT 0.22-50V	ABCDEFGHI.....
C	13	87-010-545-080	0E	CAP, ELECT 0.22-50V	ABCDEFGHI.....
C	15	87-018-131-080	0E	CAP, CER 1000P-50V	...DEF.....
C	14	87-018-131-080	0E	CAP, CER 1000P-50V	...DEF.....
C	16	87-018-134-080	0E	CAPACITOR,TC-U 0.01-16	ABCDEFGHI.....
C	22	87-010-400-080	0E	CAP, ELECT 0.47-50V	ABCDEFGHI.....
C	20	87-010-401-080	0E	CAP, ELECT 1-50V	ABCDEFGHI.....
C	21	87-010-545-080	0E	CAP, ELECT 0.22-50V	ABCDEFGHI.....
C	26	87-018-016-080		CAP,TC-S 22P-50 SL	...GHI.....
C	25	87-018-019-080	0E	CAP,TC-S 30P-50 SL	ABCDEFGHI.....
C	28	87-018-109-080	0E	CAP, CER 22P-50V	..C.....
C	26	87-018-111-080	0E	CAP, CERA-SOL SS 27P	..CDEF.....
C	24	87-018-118-080	0E	CAP,TC-U 82P-50 B	...DEF.....
C	29	87-018-118-080	0E	CAP,TC-U 82P-50 B	...DEF.....
C	29	87-018-141-080	0E	CAP, CERA-SOL SS 3.3P CH	AB...GHI.....
C	23	87-018-142-080	0E	CAP,TC-U 3.9P-50 CH	ABCDEFGHI.....
C	24	87-018-142-080	0E	CAP,TC-U 3.9P-50 CH	..C.....
C	24	87-018-146-080	0E	CAP,TC-U 8.2P-50 CH	AB...GHI.....
C	26	87-018-146-080	0E	CAP,TC-U 8.2P-50 CH	AB...GHI.....
C	29	87-018-147-080	0E	CAP,TC-U 10P-50 CH	..C.....
C	28	87-018-150-080	0E	CAP,TC-U 18P-50 CH	ABCDEFGHI.....
C	32	87-018-016-080		CAP,TC-S 22P-50 SL	...DEFGHI.....
C	30	87-018-119-080	0E	CAP, CER 100P-50V	...DEFGHI.....
C	32	87-018-123-080	0E	CAP, CER 220P-50V	...GHI.....
C	31	87-018-125-080	0E	CAP, CER 330P-50V	ABCDEFGHI.....
C	31	87-018-134-080	0E	CAPACITOR,TC-U 0.01-16	..C.....
C	30	87-018-209-080	0E	CAP, CER 0.1-50V	..C.....
C	49	87-018-016-080		CAP,TC-S 22P-50 SL	...DEF.....
C	47	87-018-115-080	0E	CAP, CER 47P-50V	..C.....
C	49	87-018-115-080	0E	CAP, CER 47P-50V	..C.....
C	43	87-018-120-080	0E	CAP, CERA-SOL SS 120P	..CDEF.....
C	43	87-018-125-080	0E	CAP, CER 330P-50V	..C.....
C	45	87-018-125-080	0E	CAP, CER 330P-50V	..CDEF.....
C	48	87-018-134-080	0E	CAPACITOR,TC-U 0.01-16	..CDEF.....
C	44	87-018-139-080		CAP,TC-U 1P-50 CH	...DEF.....
C	46	87-018-148-080	0E	CAP,TC-U 12P-50 CH	...DEF.....
C	51	87-018-134-080	0E	CAPACITOR,TC-U 0.01-16	..CDEF.....
CF	1	87-008-261-010	0E	FILTER, SFE10.7MA5-A	ABCDEFGHI.....
CF	2	87-008-582-010		FLTR,SFU455B	..C...GHI.....
CF	2	88-CD8-636-010		FLTR,CER SFU465B	...DEF.....
D	2	87-020-465-080	0E	DIODE,1SS133 (110MA)	ABCDEFGHI.....
D	1	87-020-465-080	0E	DIODE,1SS133 (110MA)	ABCDEFGHI.....
D	3	87-020-465-080	0E	DIODE,1SS133 (110MA)	ABCDEFGHI.....
D	4	87-CD8-614-010		VARI-CAP,1S2638	ABCDEFGHI.....
IC	1	87-A20-212-010	1E	IC,TA8127N	ABCDEFGHI.....
L	8	87-005-730-080		COIL,10UH J SP02	ABCDEFGHI.....
L	9	88-CD7-630-010		COIL,98T:16T AM ANT	AB...GHI.....

# ELECTRICAL MAIN PARTS LIST - 4 (CSD-ES255)

L	5	88-CD7-633-010	COIL,MW OSC OA-922865	AB.....GHI.....
L	2	88-CD7-634-010	COIL,IPT F-822866	ABCDEFGHI.....
L	4	88-CD7-635-010	COIL,IPT F-825438	ABCDEFGHI.....
L	3	88-CD7-636-010	COIL,IPTAM A-822867	ABCDEFGHI.....
L	6	88-CD7-637-010	COIL,2.5T*5MM FM	..CDEFGHI.....
L	7	88-CD7-638-010	COIL,3.5T*5MM FM	ABCDEFGHI.....
L	1	88-CD7-639-010	COIL,4.5T*4MM FM ANT	ABCDEFGHI.....
L	6	88-CD7-640-010	COIL,4.5T*5MM FM	AB.....
L	5	88-CD8-631-010	COIL,MW OSC A-1922	..C.....
L	0	88-CD8-632-010	COIL,MW RF	..CDEF.....
L	5	88-CD8-637-010	COIL,LW OSC A-2544	..DEF.....
L	0	88-CD8-638-010	COIL,LW RF	..DEF.....
L	0	88-CD8-639-010	BAR-ANT,AM	..CDEF.....
L	10	88-CD8-628-010	COIL,SW OSC A-5439	..C.....
L	10	88-CD8-631-010	COIL,MW OSC A-1922	..DEF.....
L	22	87-005-594-080	COIL,2.2UH J LAV35	..C.....
PVC	1	88-CD8-620-010	TUN-CAP,20P-82P-160P 20 WF420L	.....GHI.....
PVC	1	88-CD8-621-010	TUN-CAP,40P-82P-160P 20 WV420L	AB.....
PVC	1	88-CD8-635-010	TUN-CAP,20P-335P 20 RF420LT13	..CD.....
Q	1	89-110-154-080	0E TR,2SA1015Y	..DEF.....
S	1	88-CD8-611-010	SW,SL 2-4-2 BAND	AB.....GHI.....
S	1	88-CD8-634-010	SW,SL 2-6-3 BAND	..CDEF.....
SFR	1	87-024-433-080	0E SFR,10K RH063EC	ABCDEFGHI.....
TC	2	88-CD8-629-010	TRIMMER,20P PLY	..CDEF.....
TC	1	88-CD8-629-010	TRIMMER,20P PLY	..CDEF.....



# MECHANICAL PARTS LIST - 1 (CSD-ES255)

NOTE: The characters in the suffix column indicate the part usage.

S	OO	A
L	OO	B
HEJST	XX	C
KST	XX	D
EZL	XX	E
EZST	XX	F
LHST	XX	G
U1L	XX	H
U1ST	XX	I

REF.NO	PARTS NO.	KANRI NO.	DESCRIPTION	SUFFIX
	85-CD7-079-010		COVER, CD MECHA	ABCDEFGHJI
	88-CD8-001-010		CABI,FRONT	A
	88-CD8-002-010		CABI,REAR	A
	88-CD8-003-010		CHAS,CD	AB.E.H
	88-CD8-004-010		ARM-HANDL,MAIN	A
	88-CD8-005-010		COVER, HANDL	A
	88-CD8-006-010		LID,CD	A
	88-CD8-007-010		LID,CASS	A
	88-CD8-008-010		LID,BATT	A
	88-CD8-009-010		GRILLE,SPEAKER L	A.E.H
	88-CD8-010-010		GRILLE,SPEAKER R	A.E.H
	88-CD8-011-010		PANEL,CONT	A
	88-CD8-012-010		WINDOW,CD	ABCDEFGHJI
	88-CD8-013-010		WINDOW,DISP	AB
	88-CD8-014-010		WINDOW,CASS	ABCDEFGHJI
	88-CD8-015-010		WINDOW,TUNER	AB
	88-CD8-028-010		POINTER,TUNER	ABCDEFGHJI
	88-CD8-031-010		CHAS,CD ST	.CD.FG.I
	88-CD8-033-010		CABI,FRONT D (L)	.B
	88-CD8-034-010		CABI,REAR D (L)	.B
	88-CD8-035-010		PANEL,CONT D (L)	.B
	88-CD8-040-010		CABI,FRONT U	.CD.FG.I
	88-CD8-041-010		CABI,REAR U	.G.I
	88-CD8-042-010		ARM-HANDL,MAIN U	.CD.FG.I
	88-CD8-043-010		COVER, HANDL U	.CD.FG.I
	88-CD8-044-010		LID,CD U	.CD.FG.I
	88-CD8-045-010		LID,CASS U	.CD.FG.I
	88-CD8-046-010		LID,BATT U	.CD.FG.I
	88-CD8-047-010		PANEL,CONT U	.CDEFGHI
	88-CD8-048-010		WINDOW,DISP U	.CDEFGHI
	88-CD8-049-010		WINDOW,TUNER U	.GHI
	88-CD8-054-010		CABI,REAR K	.D.F
	88-CD8-055-010		WINDOW,TUNER K	.DEF
	88-CD8-058-010		CABI,REAR HEJ	.C
	88-CD8-059-010		WINDOW,TUNER HEJ	.C
	88-CD8-063-010		CABI,REAR EZ (L)	.E
	88-CD8-064-010		CABI,REAR V	
	88-CD8-065-010		WINDOW,TUNER V	
	88-CD8-067-010		GRILLE,SPEAKER L (ST)	.CD.FG.I
	88-CD8-068-010		GRILLE,SPEAKER R (ST)	.CD.FG.I
	88-CD8-070-010		CABI,FRONT (L)	.E.H
	88-CD8-071-010		CABI,REAR (L)	.H
	88-CD8-072-010		ARM-HANDL,MAIN (L)	.B.E.H
	88-CD8-073-010		COVER, HANDL (L)	.B.E.H
	88-CD8-074-010		LID,CD (L)	.B.E.H
	88-CD8-075-010		LID,CASS (L)	.B.E.H
	88-CD8-076-010		LID,BATT (L)	.B.E.H
	88-CD8-098-010		LID,CD 257	
	88-CD8-016-010		BTN,CD OPEN	A
	88-CD8-017-010		BTN,Q SOUND	A
	88-CD8-018-010		KEY,CD PLAY	A
	88-CD8-019-010		KEY,CD FF	A
	88-CD8-020-010		KEY,CD REPEAT	ABCDEFGHJI
	88-CD8-021-010		KEY,CASS	A
	88-CD8-022-010		KNOB,SL FUNCTION	A
	88-CD8-023-010		KNOB,SL BAND	A
	88-CD8-024-010		KNOB,SL BEAT	A
	88-CD8-025-010		KNOB,RTRY VOL	A
	88-CD8-026-010		KNOB,RTRY TONE	A
	88-CD8-027-010		KNOB,RTRY TUNER	A
	88-CD8-050-010		BTN,CD OPEN U	.CD.FG.I
	88-CD8-051-010		BTN,Q SOUND U	.CD.FG.I
	88-CD8-052-010		KNOB,RTRY TUNER U	.CD.FG.I
	88-CD8-079-010		BTN,CD OPEN (L)	.B.E.H
	88-CD8-080-010		BTN,Q SOUND (L)	.B.E.H
	88-CD8-081-010		KNOB,SL FUNCTION (L)	.B.E.H
	88-CD8-082-010		KNOB,SL BAND (L)	.B.E.H
	88-CD8-083-010		KNOB,SL BEAT (L)	.B.E.H
	88-CD8-084-010		KNOB,RTRY VOL (L)	.B.E.H
	88-CD8-085-010		KNOB,RTRY TOME (L)	.B.E.H
	88-CD8-086-010		KNOB,RTRY TUNER (L)	.B.E.H
	88-CD8-088-010		KEY,CD PLAY (L)	.BCDEFGHI
	88-CD8-089-010		KEY,CD FF (L)	.BCDEFGHI
	88-CD8-090-010		KEY,CASS (L)	.BCDEFGHI
	88-CD8-092-010		KNOB,SL FUNCTION U	.CD.FG.I
	88-CD8-093-010		KNOB,SL BAND U	.CD.FG.I
	88-CD8-094-010		KNOB,SL BEAT U	.CD.FG.I
	88-CD8-095-010		KNOB,RTRY VOL U	.CD.FG.I
	88-CD8-096-010		KNOB,RTRY TONE U	.CD.FG.I

## MECHANICAL PARTS LIST - 2 (CSD-ES255)

88-CD8-087-010	PLATE, SPEC U1	.....HI.....
84-CD5-215-010	GEAR	ABCDEFGHI.....
84-CD5-216-010	BRACKET	ABCDEFGHI.....
84-CD5-217-010	PLATE, MAGNET	ABCDEFGHI.....
85-CD7-217-010	HLDR, CHUCK A	ABCDEFGHI.....
85-CD7-218-010	HLDR, CHUCK B	ABCDEFGHI.....
87-036-368-010	0E MAGNET	ABCDEFGHI.....
87-A90-086-010	0E COVER, AC-SOCKET	ABCDEFGHI.....
87-A90-147-010	COVER, AC SEL SW	..C...G.....
88-CD8-202-010	GEAR, PVC	ABCDEFGHI.....
88-CD8-203-010	HLDR, SPEAKER A	ABCDEFGHI.....
88-CD8-204-010	HLDR, SPEAKER B	ABCDEFGHI.....
88-CD8-205-010	HLDR, PVC	ABCDEFGHI.....
88-CD8-206-010	LEVER, OPEN CD	ABCDEFGHI.....
88-CD8-207-010	SPR-T, LID CD	ABCDEFGHI.....
88-CD8-208-010	SPR-T, LID CASS	ABCDEFGHI.....
88-CD8-209-010	SPR-C, BATT	ABCDEFGHI.....
88-CD8-210-010	SPR-P, REC	ABCDEFGHI.....
88-CD8-211-010	HLDR, LED	ABCDEFGHI.....
88-CD8-212-010	HLDR, BAR ANT	ABCDEFGHI.....
88-CD8-213-010	HLDR, PWB TP	ABCDEFGHI.....
88-CD8-214-010	HLDR, VOL	ABCDEFGHI.....
88-CD8-217-010	HLDR, SPEAKER C	ABCDEFGHI.....
88-CD8-218-010	HLDR, SPEAKER D	ABCDEFGHI.....
88-CD8-220-010	RIVET, TU	ABCDEFGHI.....
88-CD8-222-010	SPR-P, DAMP CD	ABCDEFGHI.....
81-CD5-204-010	0E SCREW CD	ABCDEFGHI.....
87-251-091-410	U+3-3	ABCDEFGHI.....
87-261-032-410	0E V+2-3 GLD	ABCDEFGHI.....
87-261-096-410	0E SCREW, V+3-10 GLD	ABCDEFGHI.....
87-651-035-410	0E VT1 2-6 GLD	ABCDEFGHI.....
87-741-074-410	0E UT2+2.6-8	ABCDEFGHI.....
87-741-096-410	0E UT2+3-10	ABCDEFGHI.....
87-741-102-410	0E UT2+3-20	ABCDEFGHI.....
87-745-094-410	0E UT2+3-6	ABCDEFGHI.....
87-751-034-410	0E SCREW VT2+2-5	ABCDEFGHI.....
87-B10-102-010	UT2+3-15 W/O	ABCDEFGHI.....
88-CD8-609-010	CABLE, FFC16P CD	ABCDEFGHI.....
87-A90-051-010	1B FLTR, CFAZ-450 (TOK)	AB.....

## ACCESSORIES LIST - 1 (CSD-ES255)

NOTE: The characters in the suffix column indicate the part usage.

S	.....OO	.....A.....
L	.....OO	.....B.....
HEJST	.....XX	.....C.....
KST	.....XX	.....D.....
EZL	.....XX	.....E.....
EZST	.....XX	.....F.....
LHST	.....XX	.....G.....
U1L	.....XX	.....H.....
U1ST	.....XX	.....I.....

REF.NO	PARTS NO.	KANRI NO.	DESCRIPTION	SUFFIX
	88-CD8-901-010		IB, D	AB.....
	88-CD8-905-010		IB, ESF	.....
	88-CD8-906-010		IB, ECA	..C.....
	88-CD8-907-010		IB, ESP	.....GHI.....
	88-CD8-908-010		IB, 9L	.....EF.....
	88-CD8-909-010		IB, E	.....D.....
	88-CD8-910-010		IB, ER	.....
	87-A80-081-010		AC CORD SET ASSY, EZ BLK	.....G.....
	87-A90-312-010	1B	PLUG, CONVERSION WTN-1157R1	.....G.....
	88-CS5-623-010		AC CORD SET, 6FT JS-120 +JS-016	.B..E..HI.....

# ELECTRICAL MAIN PARTS LIST - 1 (CSD-ES355)

NOTE: The characters in the suffix column indicate the part usage.

LHS	REF.NO	PARTS NO.	XX KANRI NO.	DESCRIPTION	A SUFFIX
C	408	87-010-112-080	0E	CAP, ELECT 100-16V	A.....
C	401	87-010-374-080	0E	CAP, ELECT 47-10V	A.....
C	402	87-010-402-080	0E	CAP, ELECT 2.2-50V	A.....
C	409	87-010-405-080	0E	CAP, ELECT 10-50V	A.....
C	407	87-018-209-080	0E	CAP, CER 0.1-50V	A.....
C	414	87-010-401-080	0E	CAP, ELECT 1-50V	A.....
C	415	87-010-401-080	0E	CAP, ELECT 1-50V	A.....
C	411	87-010-401-080	0E	CAP, ELECT 1-50V	A.....
C	410	87-010-401-080	0E	CAP, ELECT 1-50V	A.....
C	413	87-018-202-080	0E	CAP.CERAM.6800PF	A.....
C	412	87-018-202-080	0E	CAP.CERAM.6800PF	A.....
IC	401	87-A20-946-040	1D	C-IC,MM1434XF	A.....
S	401	87-A90-815-010		SW,PUSH 2-2-6 SPUN19-S-501	A.....
C	703	87-010-112-080	0E	CAP, ELECT 100-16V	A.....
C	702	87-010-112-080	0E	CAP, ELECT 100-16V	A.....
C	704	87-010-235-080	0E	CAP,E 470-16 SME	A.....
C	705	87-010-235-080	0E	CAP,E 470-16 SME	A.....
C	706	87-010-235-080	0E	CAP,E 470-16 SME	A.....
C	707	87-010-235-080	0E	CAP,E 470-16 SME	A.....
C	701	87-010-384-080	0E	CAP, ELECT 100-25V	A.....
C	710	87-010-101-080	0E	CAP, ELECT 220-16	A.....
C	712	87-010-380-080	0E	CAP, ELECT 47-16V	A.....
C	711	87-010-380-080	0E	CAP, ELECT 47-16V	A.....
C	715	87-010-400-080	0E	CAP, ELECT 0.47-50V	A.....
C	716	87-010-400-080	0E	CAP, ELECT 0.47-50V	A.....
IC	701	87-CD7-602-010		IC,TA8227P	A.....
J	701	87-009-216-010	1A	JACK, DIA 3.5	A.....
C	105	87-010-379-080	0E	CAP, ELECT 22-16V	A.....
C	106	87-010-379-080	0E	CAP, ELECT 22-16V	A.....
C	102	87-010-401-080	0E	CAP, ELECT 1-50V	A.....
C	101	87-010-401-080	0E	CAP, ELECT 1-50V	A.....
C	109	87-010-405-080	0E	CAP, ELECT 10-50V	A.....
C	117	87-010-112-080	0E	CAP, ELECT 100-16V	A.....
C	113	87-010-374-080	0E	CAP, ELECT 47-10V	A.....
C	110	87-010-405-080	0E	CAP, ELECT 10-50V	A.....
C	122	87-010-101-080	0E	CAP, ELECT 220-16	A.....
C	121	87-018-119-080	0E	CAP, CER 100P-50V	A.....
C	120	87-018-119-080	0E	CAP, CER 100P-50V	A.....
D	102	87-020-465-080	0E	DIODE,1SS133 (110MA)	A.....
D	101	87-020-465-080	0E	DIODE,1SS133 (110MA)	A.....
D	103	87-020-465-080	0E	DIODE,1SS133 (110MA)	A.....
IC	101	87-027-761-010	1C	IC,AN7310	A.....
L	101	88-CD7-641-010		COIL, AC-BIASOSC	A.....
Q	103	87-026-462-080	0E	TR,2SC1740 S(RS 0.3W)	A.....
Q	102	87-026-462-080	0E	TR,2SC1740 S(RS 0.3W)	A.....
Q	101	87-026-462-080	0E	TR,2SC1740 S(RS 0.3W)	A.....
S	101	88-CD8-614-010		SW,PUSH 1-6-2 REC	A.....
C	809	87-010-101-080	0E	CAP, ELECT 220-16	A.....
C	806	87-010-101-080	0E	CAP, ELECT 220-16	A.....
C	804	87-010-112-080	0E	CAP, ELECT 100-16V	A.....
C	808	87-010-260-080	0E	CAP, ELECT 47-25V	A.....
C	801	87-010-390-090	1B	CAP ELECT 25-3300SME	A.....
C	805	87-018-134-080	0E	CAPACITOR,TC-U 0.01-16	A.....
C	802	87-018-134-080	0E	CAPACITOR,TC-U 0.01-16	A.....
C	803	87-018-134-080	0E	CAPACITOR,TC-U 0.01-16	A.....
C	807	87-018-205-080	0E	CAP, CERA-SOL 0.022	A.....
C	810	87-010-101-080	0E	CAP, ELECT 220-16	A.....
C	811	87-018-205-080	0E	CAP, CERA-SOL 0.022	A.....
C	814	87-018-205-080	0E	CAP, CERA-SOL 0.022	A.....
C	813	87-018-205-080	0E	CAP, CERA-SOL 0.022	A.....
C	812	87-018-205-080	0E	CAP, CERA-SOL 0.022	A.....
D	802	87-017-932-080	0E	ZENER,MTJ6.2B	A.....
D	803	87-020-465-080	0E	DIODE,1SS133 (110MA)	A.....
D	804	87-020-465-080	0E	DIODE,1SS133 (110MA)	A.....
D	807	87-A40-465-010		DIODE,FR202	A.....
D	806	87-A40-465-010		DIODE,FR202	A.....
D	805	87-A40-465-010		DIODE,FR202	A.....
D	808	87-A40-465-010		DIODE,FR202	A.....
D	801	88-CD8-618-010		ZENER,MTZJ9.1B	A.....
ICF	801	87-A90-091-080	1A	PROTECTOR,2A 491	A.....
J	801	87-A60-178-010		JACK,AC E W/SW	A.....
PT	801	88-CD7-605-010		PT,H 8CD-7	A.....
Q	803	87-026-462-080	0E	TR,2SC1740 S(RS 0.3W)	A.....
Q	801	88-CD8-617-010		TR,2SC2497R	A.....
Q	802	89-112-965-080	0E	TR,2SA1296 (0.75W)	A.....
S	0	88-CD8-623-010		SW,SL 1-1-2 SS12J01M	A.....
S	801	88-CD8-612-010		SW,SL 2-4-3 FUNC.	A.....
S	802	88-CD8-613-010		SW,SL 2-2-3 MO/ST	A.....
SP	702	88-CD8-622-010		SPKR,F 77 7OHM 3W	A.....
SP	701	88-CD8-622-010		SPKR,F 77 7OHM 3W	A.....
C	308	87-010-263-080	0E	CAP, ELECT 100-10V	A.....
C	302	87-010-374-080	0E	CAP, ELECT 47-10V	A.....
C	303	87-010-405-080	0E	CAP, ELECT 10-50V	A.....
C	305	87-018-109-080	0E	CAP, CER 22P-50V	A.....
C	306	87-018-109-080	0E	CAP, CER 22P-50V	A.....
C	301	87-018-134-080	0E	CAPACITOR,TC-U 0.01-16	A.....
C	307	87-018-195-080	0E	CAP, CER 1200P-16V	A.....



# ELECTRICAL MAIN PARTS LIST - 2 (CSD-ES355)

C	304	87-018-208-080	OE	CAP 0.047-50F	A.....
D	305	87-020-465-080	OE	DIODE,1SS133 (110MA)	A.....
D	306	87-020-465-080	OE	DIODE,1SS133 (110MA)	A.....
D	307	87-020-465-080	OE	DIODE,1SS133 (110MA)	A.....
D	309	87-020-465-080	OE	DIODE,1SS133 (110MA)	A.....
D	302	87-020-465-080	OE	DIODE,1SS133 (110MA)	A.....
D	308	87-020-465-080	OE	DIODE,1SS133 (110MA)	A.....
D	301	87-027-405-010	OE	ZENER,RD-2.2EB	A.....
D	303	87-CD8-603-010		LED, SE3001	A.....
D	304	87-CD8-603-010		LED, SE3001	A.....
D	310	87-CD8-616-010		LED,SA36-11 HWA-11.0	A.....
IC	0	87-NF8-614-010	1B	IC,SPS-442-1-W	A.....
IC	301	87-CD6-615-010	1F	IC,LC651204N-4J70	A.....
Q	302	87-026-216-080	OE	TR,DTA124ES	A.....
Q	301	87-026-291-080	1A	TR,DTC124XS	A.....
Q	304	87-026-462-010	OE	TR,2SC1740S	A.....
Q	303	87-026-462-010	OE	TR,2SC1740S	A.....
SW	301	87-A90-133-010	OE	SW LEAF LSA1120JAU	A.....
SW	503	87-A90-770-080		SW,TACT TRT134-L4.3	A.....
SW	502	87-A90-770-080		SW,TACT TRT134-L4.3	A.....
SW	504	87-A90-770-080		SW,TACT TRT134-L4.3	A.....
SW	501	87-A90-770-080		SW,TACT TRT134-L4.3	A.....
SW	505	87-A90-770-080		SW,TACT TRT134-L4.3	A.....
X	301	87-030-328-010	1B	VIB,CERA KBR 4.0MSA02	A.....
C	501	87-010-112-080	OE	CAP, ELECT 100-16V	A.....
C	503	87-010-401-080	OE	CAP, ELECT 1-50V	A.....
C	507	87-010-401-080	OE	CAP, ELECT 1-50V	A.....
C	506	87-010-401-080	OE	CAP, ELECT 1-50V	A.....
C	502	87-010-401-080	OE	CAP, ELECT 1-50V	A.....
C	508	87-010-405-080	OE	CAP, ELECT 10-50V	A.....
C	509	87-018-119-080	OE	CAP, CER 100P-50V	A.....
C	510	87-018-119-080	OE	CAP, CER 100P-50V	A.....
Q	502	89-318-154-080	OE	TR,2SC1815 (0.4W)	A.....
Q	501	89-318-154-080	OE	TR,2SC1815 (0.4W)	A.....
Q	504	89-318-154-080	OE	TR,2SC1815 (0.4W)	A.....
Q	503	89-318-154-080	OE	TR,2SC1815 (0.4W)	A.....
VR	552	87-A90-816-010		VR,RTRY 50KDX2 1 V RK14K1230	A.....
VR	551	87-A90-817-010		VR,RTRY 50KBX2 1 V RK14K12C0	A.....
		88-CD8-609-010		CABLE,FFC16P CD	A.....
C	204	87-010-248-080	OE	CAP, ELECT 220-10V	A.....
C	206	87-010-263-080	OE	CAP, ELECT 100-10V	A.....
C	203	87-010-374-080	OE	CAP, ELECT 47-10V	A.....
C	201	87-010-379-080	OE	CAP, ELECT 22-16V	A.....
C	202	87-010-401-080	OE	CAP, ELECT 1-50V	A.....
C	208	87-010-546-080	OE	CAP, ELECT 0.33-50V	A.....
C	207	87-012-105-080	OE	CAP,TC 0.022-16 Y	A.....
C	205	89-663-815-080	OE	CAP,TC 0.01	A.....
C	217	87-018-129-080	OE	CAP, CER 680P-50V	A.....
C	215	87-018-196-080	OE	CAP, CER 1500P-16V	A.....
C	224	87-010-401-080	OE	CAP, ELECT 1-50V	A.....
C	221	87-010-401-080	OE	CAP, ELECT 1-50V	A.....
C	223	87-010-403-080	OE	CAP, ELECT 3.3-50V	A.....
C	228	87-018-107-080	OE	CAP,TC-U 18P-50 SL	A.....
C	220	87-018-127-080	OE	CAP, CER 470P-50V	A.....
C	226	87-018-140-080	OE	CAP,TC-U 2.2P-50 CH	A.....
C	236	87-010-263-080	OE	CAP, ELECT 100-10V	A.....
C	234	87-010-401-080	OE	CAP, ELECT 1-50V	A.....
C	231	87-010-404-080	OE	CAP, ELECT 4.7-50V	A.....
C	232	87-010-405-080	OE	CAP, ELECT 10-50V	A.....
C	239	87-018-209-080	OE	CAP, CER 0.1-50V	A.....
C	242	87-010-374-080	OE	CAP, ELECT 47-10V	A.....
C	245	87-010-405-080	OE	CAP, ELECT 10-50V	A.....
C	244	87-010-405-080	OE	CAP, ELECT 10-50V	A.....
C	249	87-018-109-080	OE	CAP, CER 22P-50V	A.....
C	248	87-018-109-080	OE	CAP, CER 22P-50V	A.....
C	240	87-018-121-080	OE	CAP, CER 150P-50V	A.....
C	241	87-018-199-080	OE	CAP, CER 3300P	A.....
C	243	87-018-209-080	OE	CAP, CER 0.1-50V	A.....
C	259	87-010-248-080	OE	CAP, ELECT 220-10V	A.....
C	251	87-010-263-080	OE	CAP, ELECT 100-10V	A.....
C	252	87-018-123-080	OE	CAP, CER 220P-50V	A.....
C	258	87-018-209-080	OE	CAP, CER 0.1-50V	A.....
C	254	87-018-209-080	OE	CAP, CER 0.1-50V	A.....
C	253	87-018-209-080	OE	CAP, CER 0.1-50V	A.....
C	257	87-018-209-080	OE	CAP, CER 0.1-50V	A.....
C	255	87-018-209-080	OE	CAP, CER 0.1-50V	A.....
C	256	87-018-209-080	OE	CAP, CER 0.1-50V	A.....
C	250	89-663-815-080	OE	CAP,TC 0.01	A.....
C	260	87-010-236-080	1A	CAP,E 1000-10 SME	A.....
C	261	87-010-236-080	1A	CAP,E 1000-10 SME	A.....
C	266	87-010-374-080	OE	CAP, ELECT 47-10V	A.....
C	264	87-010-404-080	OE	CAP, ELECT 4.7-50V	A.....
C	262	87-018-209-080	OE	CAP, CER 0.1-50V	A.....
C	267	87-018-209-080	OE	CAP, CER 0.1-50V	A.....
C	263	89-663-815-080	OE	CAP,TC 0.01	A.....
C	265	89-663-815-080	OE	CAP,TC 0.01	A.....
CN	201	87-099-018-010	OE	CONN,16P	A.....
CN	202	88-CD8-602-010		CONN ASSY,6P CDMT	A.....
D	202	87-020-465-080	OE	DIODE,1SS133 (110MA)	A.....
D	204	87-020-465-080	OE	DIODE,1SS133 (110MA)	A.....
D	203	87-020-465-080	OE	DIODE,1SS133 (110MA)	A.....
D	201	87-020-465-080	OE	DIODE,1SS133 (110MA)	A.....
D	205	87-020-465-080	OE	DIODE,1SS133 (110MA)	A.....

# ELECTRICAL MAIN PARTS LIST - 3 (CSD-ES355)

IC	202	87-A20-187-010	2M	IC,LC78622E	A.....
IC	201	87-A20-446-010	1E	C-IC,LA9241ML	A.....
IC	203	87-A20-856-010	1D	IC,BA6898S	A.....
Q	203	87-026-291-080	1A	TR,DTC124XS	A.....
Q	201	87-026-463-080	0E	TR,2SA933S (0.3W)	A.....
Q	202	89-112-965-080	0E	TR,2SA1296 (0.75W)	A.....
Q	204	89-112-965-080	0E	TR,2SA1296 (0.75W)	A.....
X	201	81-592-641-010	1A	CERAMIC FILTER, 16.93MHZ	A.....
ANT	0	88-CD7-631-010		ANT, AM BAR	A.....
ANT	0	88-CD7-632-010		ANT,ROD FM	A.....
C	6	87-010-265-080	0E	CAP, ELECT 33-16V	A.....
C	7	87-010-379-080	0E	CAP, ELECT 22-16V	A.....
C	9	87-010-380-080	0E	CAP, ELECT 47-16V	A.....
C	1	87-018-015-080	0E	CAP,TC-S 20P-50 SL	A.....
C	3	87-018-017-080	0E	CONDENSER 24P	A.....
C	2	87-018-019-080	0E	CAP,TC-S 30P-50 SL	A.....
C	8	87-018-209-080	0E	CAP, CER 0.1-50V	A.....
C	18	87-010-401-080	0E	CAP, ELECT 1-50V	A.....
C	19	87-010-403-080	0E	CAP, ELECT 3.3-50V	A.....
C	12	87-010-545-080	0E	CAP, ELECT 0.22-50V	A.....
C	13	87-010-545-080	0E	CAP, ELECT 0.22-50V	A.....
C	16	87-018-134-080	0E	CAPACITOR,TC-U 0.01-16	A.....
C	22	87-010-400-080	0E	CAP, ELECT 0.47-50V	A.....
C	20	87-010-401-080	0E	CAP, ELECT 1-50V	A.....
C	21	87-010-545-080	0E	CAP, ELECT 0.22-50V	A.....
C	26	87-018-016-080	0E	CAP,TC-S 22P-50 SL	A.....
C	25	87-018-019-080	0E	CAP,TC-S 30P-50 SL	A.....
C	29	87-018-141-080	0E	CAP, CERA-SOL SS 3.3P CH	A.....
C	23	87-018-142-080	0E	CAP,TC-U 3.9P-50 CH	A.....
C	24	87-018-146-080	0E	CAP,TC-U 8.2P-50 CH	A.....
C	28	87-018-150-080	0E	CAP,TC-U 18P-50 CH	A.....
C	32	87-018-016-080	0E	CAP,TC-S 22P-50 SL	A.....
C	30	87-018-119-080	0E	CAP, CER 100P-50V	A.....
C	32	87-018-123-080	0E	CAP, CER 220P-50V	A.....
C	31	87-018-125-080	0E	CAP, CER 330P-50V	A.....
CF	1	87-008-261-010	1A	FILTER, SFE10.7MA5-A	A.....
CF	2	87-008-582-010	1A	FLTR,SFU455B	A.....
D	2	87-020-465-080	0E	DIODE,1SS133 (110MA)	A.....
D	3	87-020-465-080	0E	DIODE,1SS133 (110MA)	A.....
D	1	87-020-465-080	0E	DIODE,1SS133 (110MA)	A.....
D	4	87-CD8-614-010		VARI-CAP,1S2638	A.....
IC	1	87-A20-212-010	1E	IC,TA8127N	A.....
L	8	87-005-730-080	0E	COIL,10UH J SP02	A.....
L	9	88-CD7-630-010		COIL,98T:16T AM ANT	A.....
L	5	88-CD7-633-010		COIL,MW OSC OA-922865	A.....
L	2	88-CD7-634-010		COIL,IFT F-822866	A.....
L	4	88-CD7-635-010		COIL,IFT F-825438	A.....
L	3	88-CD7-636-010		COIL,IFTAM A-822867	A.....
L	6	88-CD7-637-010		COIL,2.5T*5MM FM	A.....
L	7	88-CD7-638-010		COIL,3.5T*5MM FM	A.....
L	1	88-CD7-639-010		COIL,4.5T*4MM FM ANT	A.....
PVC	1	88-CD8-620-010		TUN-CAP,20P-82P-160P 20 WF420L	A.....
S	1	88-CD8-611-010		SW,SL 2-4-2 BAND	A.....
SFR	1	87-024-433-080	0E	SFR,10K RH063EC	A.....

# MECHANICAL PARTS LIST - 1 (CSD-ES355)

NOTE: The characters in the suffix column indicate the part usage.

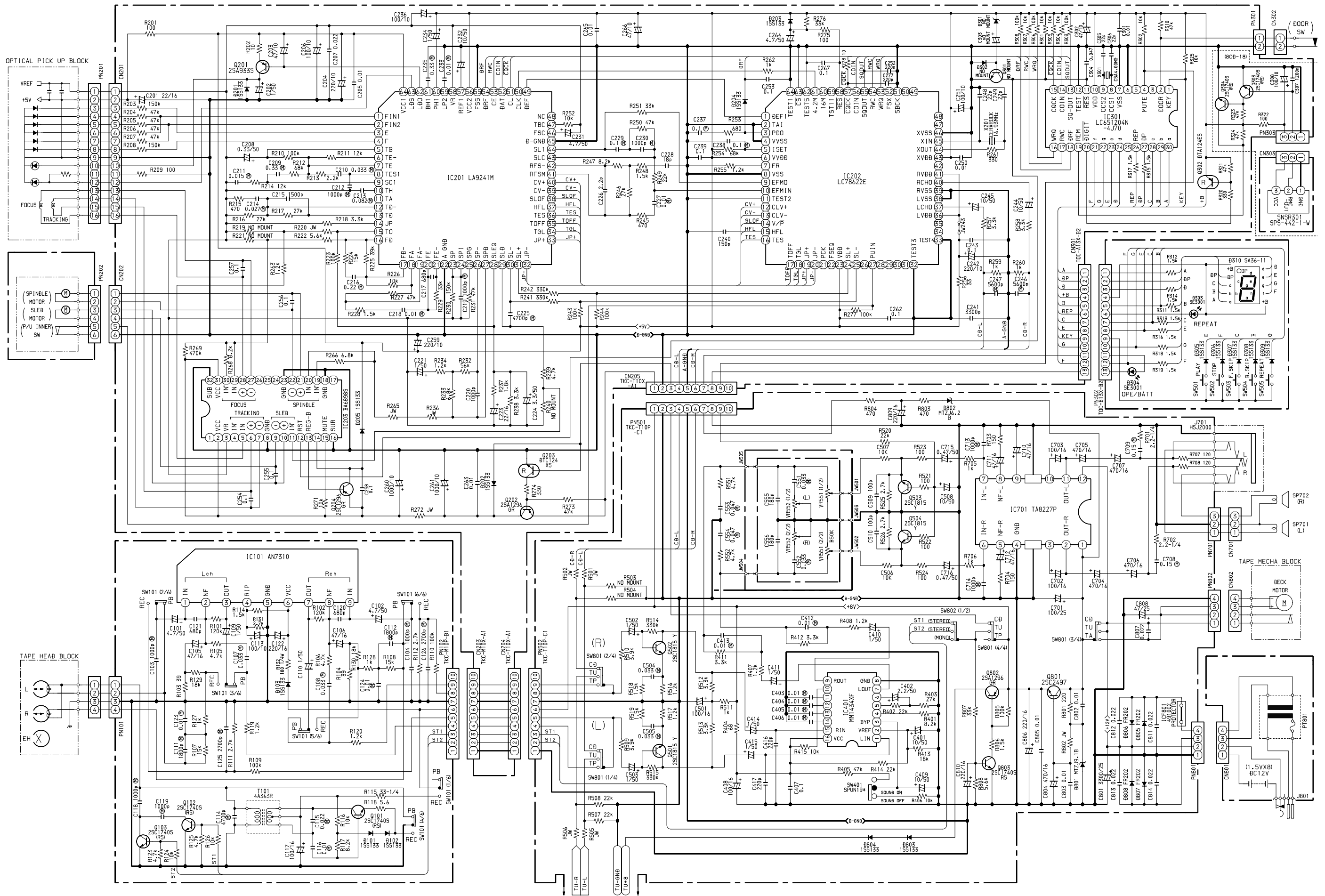
REF.NO	PARTS NO.	NO.	DESCRIPTION	SUFFIX
LHS	.....	..XX..	.....	A.....
		KANRI		
85-CD7-079-010			COVER, CD MECHA	A.....
88-CD8-003-010			CHAS, CD	A.....
88-CD8-004-010			ARM-HANDL, MAIN	A.....
88-CD8-005-010			COVER, HANDL	A.....
88-CD8-007-010			LID, CASS	A.....
88-CD8-008-010			LID, BATT	A.....
88-CD8-009-010			GRILLE, SPEAKER L	A.....
88-CD8-010-010			GRILLE, SPEAKER R	A.....
88-CD8-012-010			WINDOW, CD	A.....
88-CD8-014-010			WINDOW, CASS	A.....
88-CD8-028-010			POINTER, TUNER	A.....
88-CD8-047-010			PANEL, CONT U	A.....
88-CD8-048-010			WINDOW, DISP U	A.....
88-CD8-049-010			WINDOW, TUNER U	A.....
88-CDJ-001-010			CABI, FRONT RC	A.....
88-CDJ-002-010			CABI, REAR RC	A.....
88-CDJ-003-010			LID, CD RC	A.....
88-CDJ-004-010			LENS, REMOTE	A.....
88-CD8-016-010			BTN, CD OPEN	A.....
88-CD8-017-010			BTN, Q SOUND	A.....
88-CD8-018-010			KEY, CD PLAY	A.....
88-CD8-019-010			KEY, CD FF	A.....
88-CD8-020-010			KEY, CD REPEAT	A.....
88-CD8-021-010			KEY, CASS	A.....
88-CD8-022-010			KNOB, SL FUNCTION	A.....
88-CD8-023-010			KNOB, SL BAND	A.....
88-CD8-024-010			KNOB, SL BEAT	A.....
88-CD8-025-010			KNOB, RTRY VOL	A.....
88-CD8-026-010			KNOB, RTRY TONE	A.....
88-CD8-027-010			KNOB, RTRY TUNER	A.....
84-CD5-215-010			GEAR	A.....
84-CD5-216-010			BRACKET	A.....
84-CD5-217-010			PLATE, MAGNET	A.....
84-CD5-218-010			CUSH, CHUCK	A.....
87-036-368-010	0E		MAGNET	A.....
87-A90-086-010	0E		COVER, AC-SOCKET	A.....
87-A90-147-010			COVER, AC SEL SW	A.....
88-CD8-201-010			CHAS, TUNER	A.....
88-CD8-202-010			GEAR, PVC	A.....
88-CD8-206-010			LEVER, OPEN CD	A.....
88-CD8-207-010			SPR-T, LID CD	A.....
88-CD8-208-010			SPR-T, LID CASS	A.....
88-CD8-209-010			SPR-C, BATT	A.....
88-CD8-210-010			SPR-P, REC	A.....
88-CD8-220-010			RIVET, TU	A.....
81-CD5-204-010	0E		SCREW CD	A.....
87-251-091-410	0E		U+3-3	A.....
87-261-032-410	0E		V+2-3 GLD	A.....
87-261-096-410	0E		SCREW, V+3-10 GLD	A.....
87-651-035-410	0E		VT1 2-6 GLD	A.....
87-741-074-410	0E		UT2+2.6-8	A.....
87-741-096-410	0E		UT2+3-10	A.....
87-741-102-410	0E		UT2+3-20	A.....
87-745-094-410	0E		UT2+3-6	A.....
87-751-034-410	0E		SCREW VT2+2-5	A.....
87-B10-102-010			UT2+3-15 W/O	A.....
88-CD8-609-010			CABLE, FFC16P CD	A.....

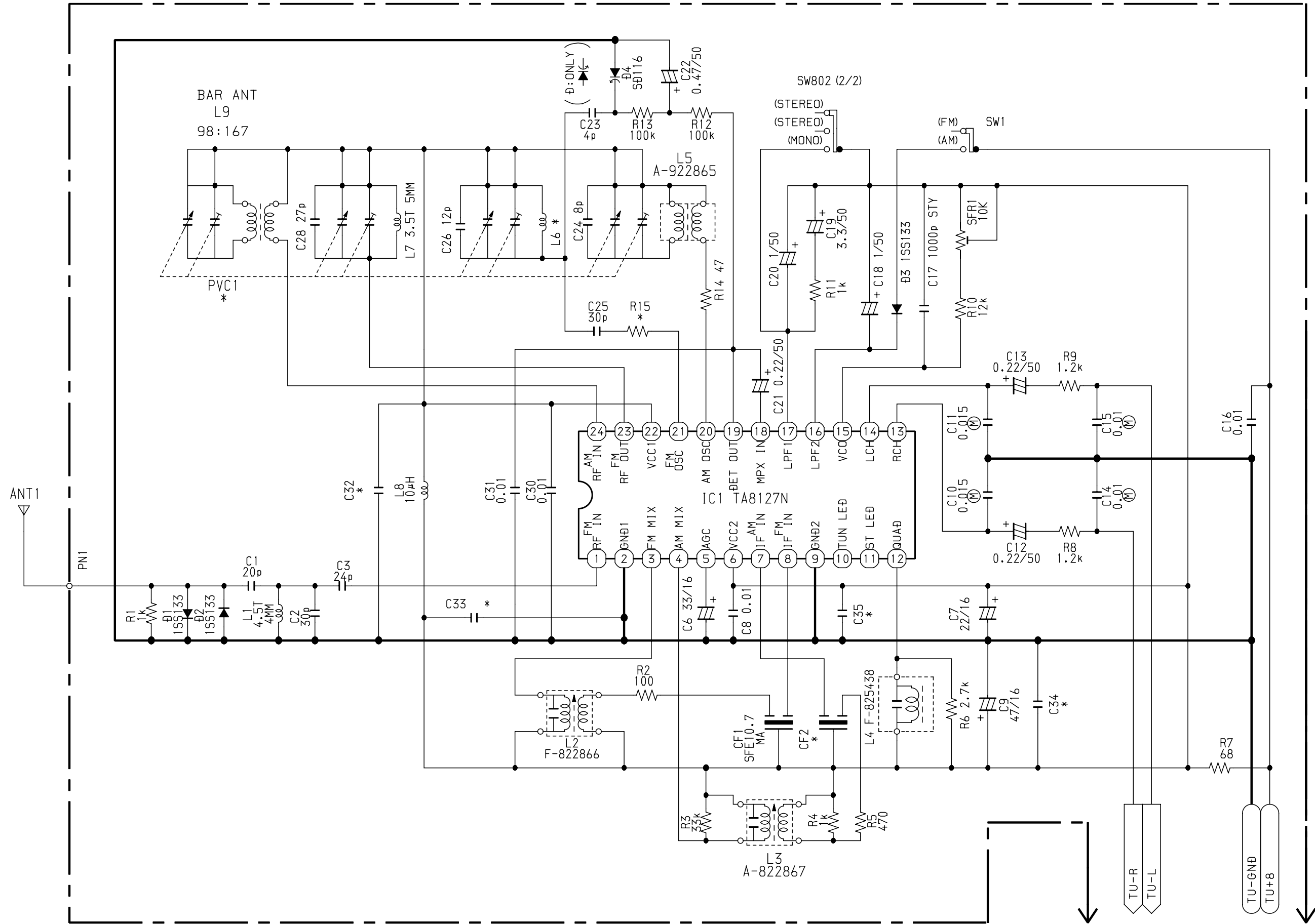
# ACCESSORIES LIST - 1 (CSD-ES355)

NOTE: The characters in the suffix column indicate the part usage.

REF.NO	PARTS NO.	NO.	DESCRIPTION	SUFFIX
LHS	.....	..XX..	.....	A.....
		KANRI		
88-CD8-907-010			IB, ESP	A.....
87-CD6-952-010			RC UNIT, RC-CD2	A.....

SCHEMATIC DIAGRAM - 1







サービス技術ニュース	
番号	連絡内容
G-	-
G-	-
G-	-

**アイワ株式会社**  
**AIWA CO.,LTD.**

931261

Tokyo Japan

〒110-8710 東京都台東区池之端1-2-11 ☎03 (3827) 3111 (代表)

Printed in Singapore