

aiwa



HS-TA383

STEREO RADIO CASSETTE PLAYER

• BASIC TAPE MECHANISM: 3ZM-1 P4N

• TYPE: YK,YZ,YVJ

SIMPLE MANUAL

• Replace this Service Manual with "Revision Publishing" when it is issued.

S/M Code No. 09-982-243-9FP

MANUAL
SERVICE

ELECTRICAL MAIN PARTS LIST

NOTE: The characters in the suffix column indicate the part usage.

KSNFXX.....C.....
 VJ1SXX.....D.....
 Z1SFXX.....G.....
 KANRI

REF.NO	PARTS NO.	NO.	DESCRIPTION	SUFFIX
C	3	87-010-178-080	CHIP CAP 1000P	ABCDEF..
C	4	87-010-178-080	CHIP CAP 1000P	ABCDEF..
C	1	87-010-179-080	CAP,CHIP S B1200P	ABCDEF..
C	2	87-010-179-080	CAP,CHIP S B1200P	ABCDEF..
C	8	87-010-213-080	C-CAP,S 0.015-50 B	ABCDEF..
C	7	87-010-213-080	C-CAP,S 0.015-50 B	ABCDEF..
C	5	87-010-501-040	E/CAP GAS 47-4	.B.DE.G.
C	6	87-010-501-040	E/CAP GAS 47-4	.B.DE.G.
C	5	87-010-587-040	E,CAP 100-2	A.C..F.
C	6	87-010-587-040	E,CAP 100-2	A.C..F.
C	9	87-016-462-080	C-CAP,S 1-16 F	ABCDEF..
C	14	87-010-179-080	CAP,CHIP S B1200P	ABCDEF..
C	15	87-010-179-080	CAP,CHIP S B1200P	ABCDEF..
C	18	87-010-196-080	CHIP CAPACITOR,0.1-25	ABCDEF..
C	19	87-010-196-080	CHIP CAPACITOR,0.1-25	ABCDEF..
C	17	87-010-196-080	CHIP CAPACITOR,0.1-25	ABCDEF..
C	11	87-010-452-080	CAPACITOR,1-16	ABCDEF..
C	10	87-016-462-080	C-CAP,S 1-16 F	ABCDEF..
C	12	87-016-462-080	C-CAP,S 1-16 F	ABCDEF..
C	25	87-010-196-080	CHIP CAPACITOR,0.1-25	ABCDEF..
C	20	87-010-498-040	CAP,E 10-16 GAS	ABCDEF..
C	24	87-010-498-040	CAP,E 10-16 GAS	ABCDEF..
C	26	87-010-503-040	CAP,E 220-4 GAS	ABCDEF..
C	21	87-010-503-040	CAP,E 220-4 GAS	ABCDEF..
C	27	87-010-503-040	CAP,E 220-4 GAS	ABCDEF..
C	22	87-012-141-080	CHIP-CAPACITOR,0.22-16F	ABCDEF..
C	23	87-012-141-080	CHIP-CAPACITOR,0.22-16F	ABCDEF..
IC	1	87-A20-461-040	IC,MM1336DF	ABCDEF..
J	2	87-A60-122-010	JACK,DC 3.8	ABCDEF..
J	1	87-A60-438-010	JACK,3.5 BLK ST W/O SW (1537)	ABCDEF..
L	3	87-005-724-080	COIL,3.3UH J SP02	ABCDEF..
L	1	87-A50-285-010	COIL,RF CHOKE 7.96MHZ 7.5++	ABCDEF..
Q	1	87-026-264-080	C-TR,RN1411	ABCDEF..
SW	5	87-036-110-010	PUSH SWITCH	ABCDEF..
SW	2	87-036-322-010	SW,SL 2-2-3	ABCDEF..
SW	1	87-A90-115-010	SW,SL 2-2-2	ABCDEF..
VR	1	83-HRC-609-010	VOL 20KAX2	ABCDEF..
C	303	87-010-184-080	CHIP CAPACITOR 3300P(K)	ABCDEF..
C	304	87-010-184-080	CHIP CAPACITOR 3300P(K)	ABCDEF..
C	309	87-010-188-080	CAP,CHIP 6800P	ABCDEF..
C	307	87-010-195-080	C-CAP,S 0.068-25 F	ABCDEF..
C	308	87-010-195-080	C-CAP,S 0.068-25 F	ABCDEF..
C	302	87-016-462-080	C-CAP,S 1-16 F	ABCDEF..
C	306	87-016-462-080	C-CAP,S 1-16 F	ABCDEF..
C	305	87-016-462-080	C-CAP,S 1-16 F	ABCDEF..
C	301	87-016-462-080	C-CAP,S 1-16 F	ABCDEF..
C	311	87-010-188-080	CAP,CHIP 6800P	ABCDEF..
C	310	87-010-188-080	CAP,CHIP 6800P	ABCDEF..
C	312	87-010-188-080	CAP,CHIP 6800P	ABCDEF..
C	313	87-010-196-080	CHIP CAPACITOR,0.1-25	ABCDEF..
C	314	87-010-196-080	CHIP CAPACITOR,0.1-25	ABCDEF..
C	403	87-010-501-040	E/CAP GAS 47-4	ABCDEF..
D	301	87-020-027-080	CHIP-DIODE 1SS184	ABCDEF..
Q	303	87-026-264-080	C-TR,RN1411	ABCDEF..
Q	302	87-026-264-080	C-TR,RN1411	ABCDEF..
Q	301	87-026-264-080	C-TR,RN1411	ABCDEF..
Q	304	87-026-264-080	C-TR,RN1411	ABCDEF..
Q	306	89-327-125-080	CHIP TR,2SC2712GR	ABCDEF..
Q	305	89-327-125-080	CHIP TR,2SC2712GR	ABCDEF..
Q	307	89-327-125-080	CHIP TR,2SC2712GR	ABCDEF..
Q	308	89-327-125-080	CHIP TR,2SC2712GR	ABCDEF..
C	502	87-010-196-080	CHIP CAPACITOR,0.1-25	A.C...G.
C	503	87-010-322-080	C-CAP,S 100P-50 CH	A.C...G.
C	501	87-010-498-040	CAP,E 10-16 GAS	A.C...G.
SW	501	87-A90-419-010	C-SW,SL 1-1-3	A.C...G.
C	52	87-010-178-080	CHIP CAP 1000P	ABCDEF..
C	51	87-010-196-080	CHIP CAPACITOR,0.1-25	ABCDEF..
C	53	87-016-462-080	C-CAP,S 1-16 F	ABCDEF..
R	57	87-022-657-080	RES,K34G 0.68	ABCDEF..
SFR	51	87-024-050-010	SEMI-FIXED RESISTOR, 1K	ABCDEF..
TH	51	87-026-256-090	THERMISTOR, HT-100	ABCDEF..
LED	202	87-A90-278-080	C-LED,SML-210VT RED	ABCDEF..
SW	301	87-036-146-080	C-SLIDE SWITCH 1-1-4	ABCDEF..
BPF	101	87-A90-336-010	FLTR,GFEB4	...D.
BPF	101	87-A90-609-010	FLTR,BPF GFMB7	ABC.EFG.
C	101	87-010-149-080	C-CAP,S 5P-50 CH	ABCDEF..
C	103	87-010-150-080	C-CAP,S 6P-50 CH	...D.
C	102	87-010-152-080	C-CAP,S 8P-50 CH	...D.
C	104	87-010-154-080	CAP CHIP 10P	ABCDEF..
C	102	87-010-314-080	C-CAP,S 22P-50V	ABC.EFG.
C	103	87-010-315-080	C-CAP,S 27P-50 CH	ABC.EFG.
C	108	87-012-349-080	C-CAP,S 1000P-50 CH	ABCDEF..
C	105	87-015-819-080	CAPACITOR,0.01	ABCDEF..
C	107	87-016-462-080	C-CAP,S 1-16 F	ABCDEF..

C	109	87-016-462-080	C-CAP,S 1-16 F	ABCDEFG.....
C	113	87-010-188-080	CAP,CHIP 6800P	ABCDEFG.....
C	114	87-010-188-080	CAP,CHIP 6800P	ABCDEFG.....
C	110	87-010-196-080	CHIP CAPACITOR,0.1-25	ABCDEFG.....
C	112	87-010-196-080	CHIP CAPACITOR,0.1-25	ABCDEFG.....
C	118	87-010-452-080	CAPACITOR,1-16	ABCDEFG.....
C	119	87-010-500-040	CAPE 33-4	ABCDEFG.....
C	117	87-010-503-040	CAP,E 220-4 GAS	ABCDEFG.....
C	115	87-012-141-080	CHIP-CAPACITOR,0.22-16F	ABCDEFG.....
C	116	87-012-141-080	CHIP-CAPACITOR,0.22-16F	ABCDEFG.....
C	124	87-010-175-080	CAP 560P	ABCDEFG.....
C	123	87-010-178-080	CHIP CAP 1000P	ABCDEFG.....
C	120	87-010-178-080	CHIP CAP 1000P	ABCDEFG.....
C	121	87-016-462-080	C-CAP,S 1-16 F	ABCDEFG.....
C	136	87-012-358-080	C-CAP,S 0.47-10 F Z	ABCDEFG.....
CF	101	87-A90-530-010	FLTR,AM IF PFS455A	ABCDEFG.....
CF	102	87-A90-761-010	FLTR,KMFC5148-Z	ABCDEFG.....
CF	103	87-A90-761-010	FLTR,KMFC5148-Z	ABCDEFG.....
IC	101	87-A20-851-040	C-IC,TA2111F	ABCDEFG.....
L	101	85-HRE-612-010	BAR-ANT, MW	ABCDEFG.....
L	104	87-A50-279-010	COIL,AM OSC	ABCDEFG.....
L	105	87-A90-425-010	IPT,MW(7L)-455	ABCDEFG.....
L	102	88-HRH-606-010	COIL,RF FM	ABC.EFG.....
L	103	88-HRH-607-010	COIL,OSC FM	ABC.EFG.....
L	103	88-HRH-608-010	COIL,OSC FM	...D.....
L	102	88-HRH-609-010	COIL,RF FM	...D.....
VC	101	87-A90-097-010	TUN-CAP,20-160 16X16	ABC.EFG.....
VC	101	87-A90-415-010	TUN-CAP,40P-160P 16X	...D.....

MECHANICAL PARTS LIST

NOTE: The characters in the suffix column indicate the part usage.

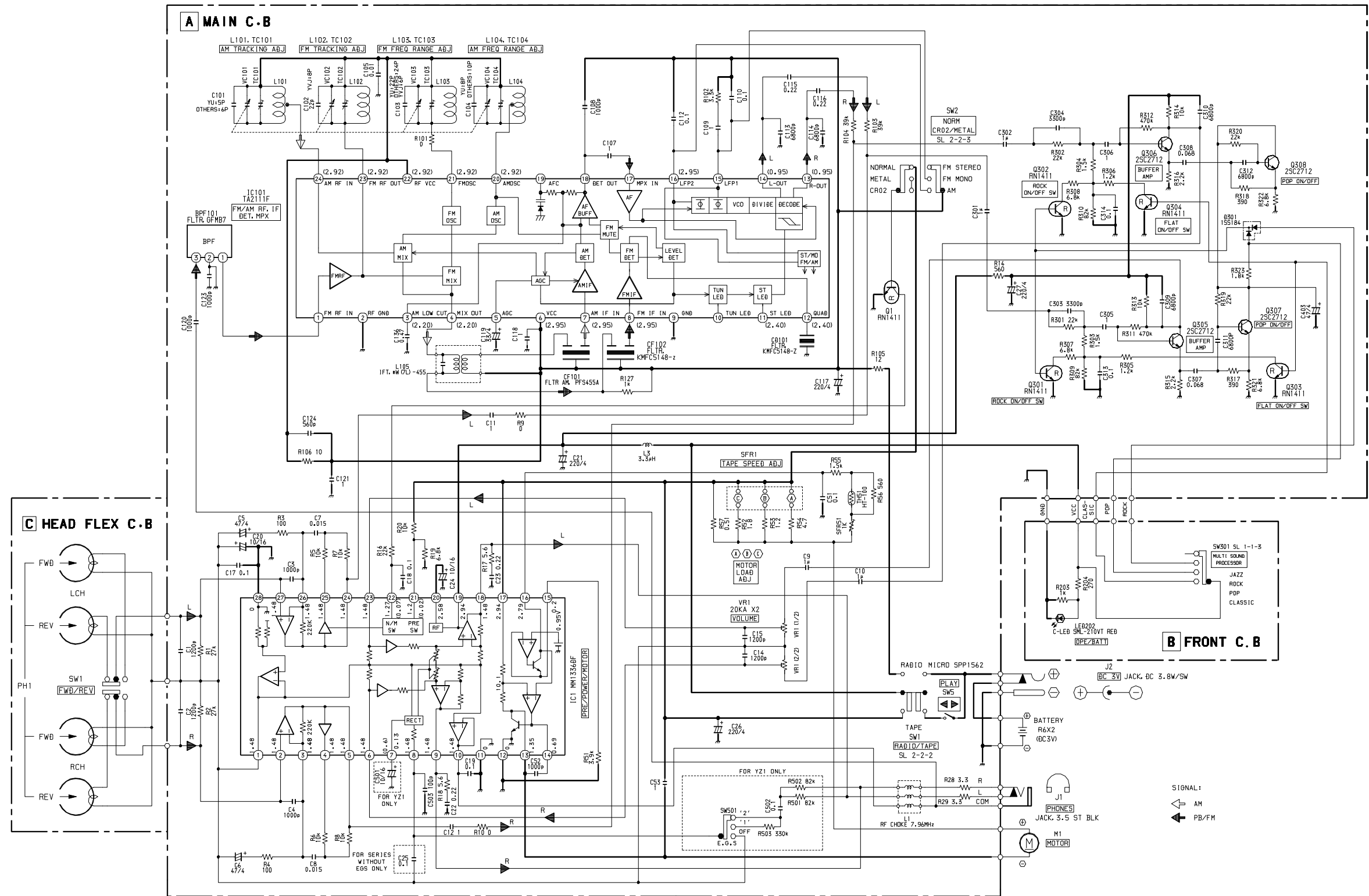
REF.NO	PARTS NO.	KANRI NO.	DESCRIPTION	SUFFIX
KSNF	XX	C.....
VJ1S	XX	D.....
Z1SF	XX	G.....
86-HRE-002-010			WINDOW TUN	ABCDEFGF.....
88-HRG-002-010			WINDOW, MSP	ABCDEFGF.....
88-HRG-005-010			LID, CASS YZ	..C...G.....
88-HRG-006-010			LID, CASS, YJ	.B..EF.....
88-HRG-012-010			LID, CASS YV	...D.....
88-HRG-014-010			LID, CASS YF	A.....
88-HRG-003-010			KNOB, SL MSP	ABCDEFGF.....
87-067-384-010			SCREWVT1.4-3.5HL	ABCDEFGF.....
83-HRJ-202-010			T-SP, CLICK	ABCDEFGF.....
88-HRG-004-010			LEVER, MSP	ABCDEFGF.....
85-HRE-006-010			POINTER, TUN	ABCDEFGF.....
88-HRG-008-010			CABI, REAR YZ	A.C...G.....
88-HRG-009-010			CABI, REAR YJ	...F.....
88-HRG-010-010			CABI, REAR YL	.B..E.....
88-HRG-013-010			CABI, REAR YV	...D.....
88-HRH-004-010			FRAME, CENTER	ABCDEFGF.....
88-HRH-006-010			LID, BATT	ABCDEFGF.....
85-HRE-007-010			KNOB, RTRY TUN	ABCDEFGF.....
88-HRH-013-010			KNOB, SL RADIO	ABCDEFGF.....
88-HRH-014-010			KNOB, SL FM	ABCDEFGF.....
88-HRH-015-010			BTN, F	ABCDEFGF.....
88-HRH-016-010			BTN, REW	ABCDEFGF.....
88-HRH-017-010			BTN, STOP	ABCDEFGF.....
88-HRH-018-010			BTN, PLAY	ABCDEFGF.....
88-HRH-019-010			KNOB, SL EGS	A.C...G.....
87-067-732-010			TAPPING SCREW, VT1.4-3	ABCDEFGF.....
87-067-770-010			VT2+1.7-9(3) BLK	ABCDEFGF.....
87-266-533-310			SCREW V+1.7-6	ABCDEFGF.....
80-HJ6-202-010			GEAR A	ABCDEFGF.....
85-HRE-202-010			GEAR, IDLER	ABCDEFGF.....
85-HRE-205-110			BAT CONT	ABCDEFGF.....
85-HRE-206-010			P-SP, CASS	ABCDEFGF.....
88-HRH-203-010			BAT, CONT+	ABCDEFGF.....

ACCESSORIES / PACKAGE LIST

NOTE: The characters in the suffix column indicate the part usage.

REF.NO	PARTS NO.	KANRI NO.	DESCRIPTION	SUFFIX
KSNF	XX	C.....
VJ1S	XX	D.....
Z1SF	XX	G.....
88-HRG-901-010			IB, Y (EGFSIC)-M	..C...G.....
88-HRG-902-010			IB, YJ (ESC)-M	...EF.....
88-HRG-903-010			IB, YL (ESP)-M	.B.....
88-HRG-904-010			IB, YV (ER)-M	...D.....
88-HRG-905-010			IB, Y (EDPOHCZ) -M	...G.....
88-HRG-906-010			IB, YF (EF)-M	A.....
84-447-019-310			CLIP, BELT	ABCDEFGF.....
87-B30-081-010			HEADPHONE, HP-M009 (S)	..C.....
87-B30-149-010			HEADPHONE, HP-M007 (FL)	AB.DEFG.....

SCHEMATIC DIAGRAM



サービス技術ニュース	
番号	連絡内容
G- -	
G- -	
G- -	

アイワ株式会社
AIWA CO.,LTD.

9630472

Tokyo Japan