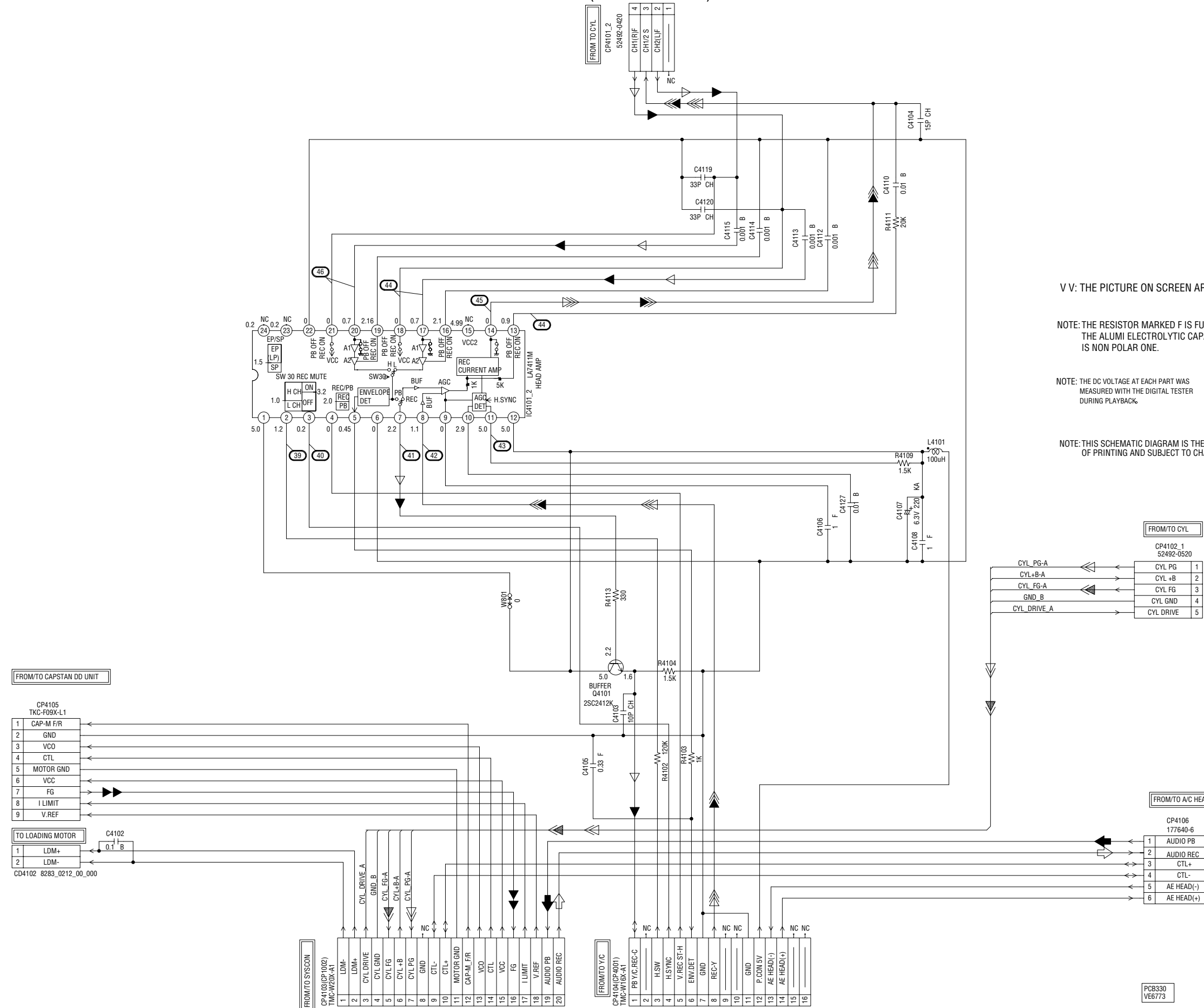


HEAD AMP SCHEMATIC DIAGRAM

(HEAD AMP PCB)



V V: THE PICTURE ON SCREEN APPEARS DURING PLAYBACK.

NOTE: THE RESISTOR MARKED F IS FUSE RESISTOR.
THE ALUMI ELECTROLYTIC CAPACITOR MARKED NP IS NON POLAR ONE.

NOTE: THE DC VOLTAGE AT EACH PART WAS MEASURED WITH THE DIGITAL TESTER DURING PLAYBACK.

NOTE: THIS SCHEMATIC DIAGRAM IS THE LATEST AT THE TIME OF PRINTING AND SUBJECT TO CHANGE WITHOUT NOTICE .

FROM/TO CYL

CP4102_1	52492-0520
CYL PG-A	CYL PG 1
CYL+B-A	CYL +B 2
CYL FG-A	CYL FG 3
GND_B	CYL GND 4
CYL DRIVE A	CYL DRIVE 5

FROM/TO CAPSTAN DD UNIT

CP4105	TKC-F09X-L1
1	CAP-M F/R
2	GND
3	VCO
4	CTL
5	MOTOR GND
6	VCC
7	FG
8	I LIMIT
9	V.REF

TO LOADING MOTOR

CD4102	8283_0212_00_000
1	LDM+
2	LDM-

FROM/TO A/C HEAD

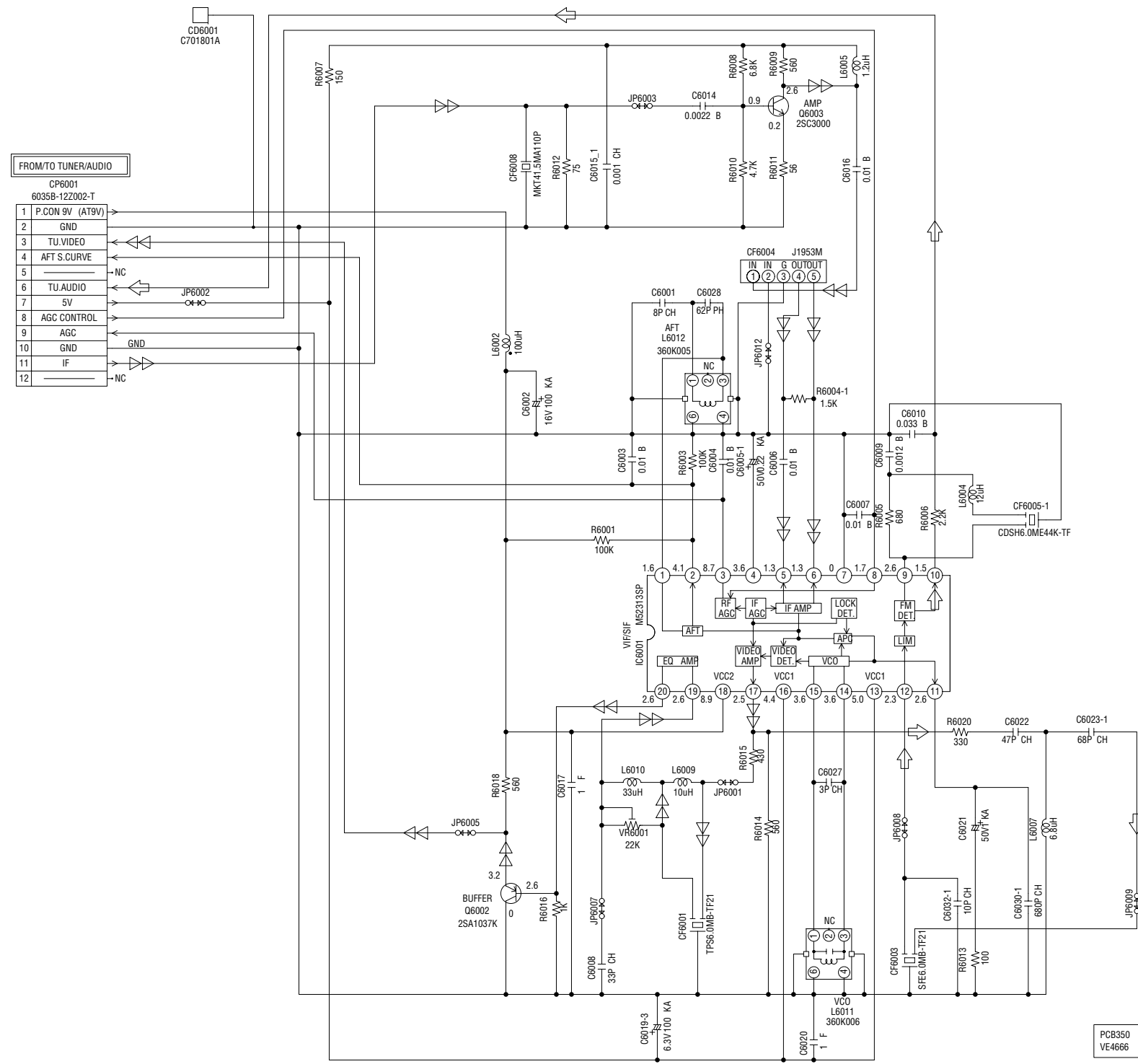
CP4106	177640-6
1	AUDIO PB
2	AUDIO REC
3	CTL+
4	CTL-
5	AE HEAD(-)
6	AE HEAD(+)

- ◀ CAPSTAN AFC SIGNAL
- ◀ RECORD LUMINANCE SIGNAL
- ▶ PLAYBACK LUMINANCE SIGNAL
- ◀ RECORD COLOR SIGNAL
- ◀ PLAYBACK COLOR SIGNAL
- ◀ AUDIO SIGNAL(REC)
- ▶ AUDIO SIGNAL(PB)
- ◀ CYLINDER AFC SIGNAL
- ◀ CYLINDER APC SIGNAL

PCB330
VE6773


IF SCHEMATIC DIAGRAM

(IF PCB)



NOTE: THE DC VOLTAGE AT EACH PART WAS MEASURED WITH THE DIGITAL TESTER DURING PLAYBACK.

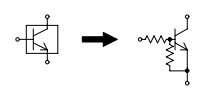
NOTE: THIS SCHEMATIC DIAGRAM IS THE LATEST AT THE TIME OF PRINTING AND SUBJECT TO CHANGE WITHOUT NOTICE.

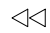
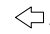
CAUTION: SINCE THESE PARTS MARKED BY  ARE CRITICAL FOR SAFETY, USE ONES DESCRIBED IN PARTS LIST ONLY.

V V: THE PICTURE ON SCREEN APPEARS DURING PLAYBACK.

NOTE: THE RESISTOR MARKED F IS FUSE RESISTOR. THE ALUMI ELECTROLYTIC CAPACITOR MARKED NP IS NON POLAR ONE.

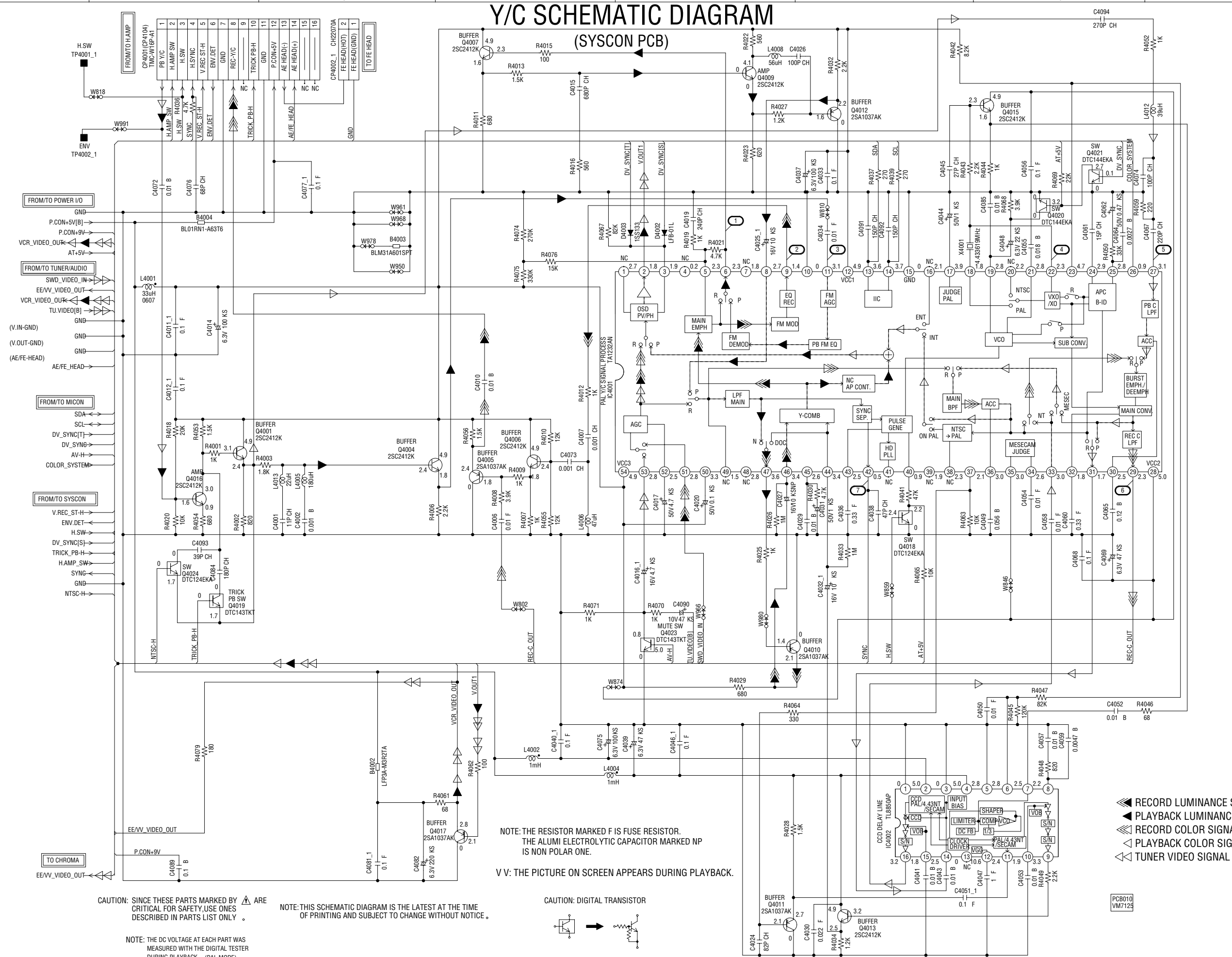
CAUTION: DIGITAL TRANSISTOR



 TUNER VIDEO SIGNAL
 AUDIO SIGNAL(REC)

Y/C SCHEMATIC DIAGRAM

(SYSCON PCB)



NOTE: THE RESISTOR MARKED F IS FUSE RESISTOR.
THE ALUMI ELECTROLYTIC CAPACITOR MARKED NP
IS NON POLAR ONE.

V V: THE PICTURE ON SCREEN APPEARS DURING PLAYBACK.

CAUTION: DIGITAL TRANSISTOR



CAUTION: SINCE THESE PARTS MARKED BY ARE CRITICAL FOR SAFETY, USE ONES DESCRIBED IN PARTS LIST ONLY.

NOTE: THIS SCHEMATIC DIAGRAM IS THE LATEST AT THE TIME OF PRINTING AND SUBJECT TO CHANGE WITHOUT NOTICE.

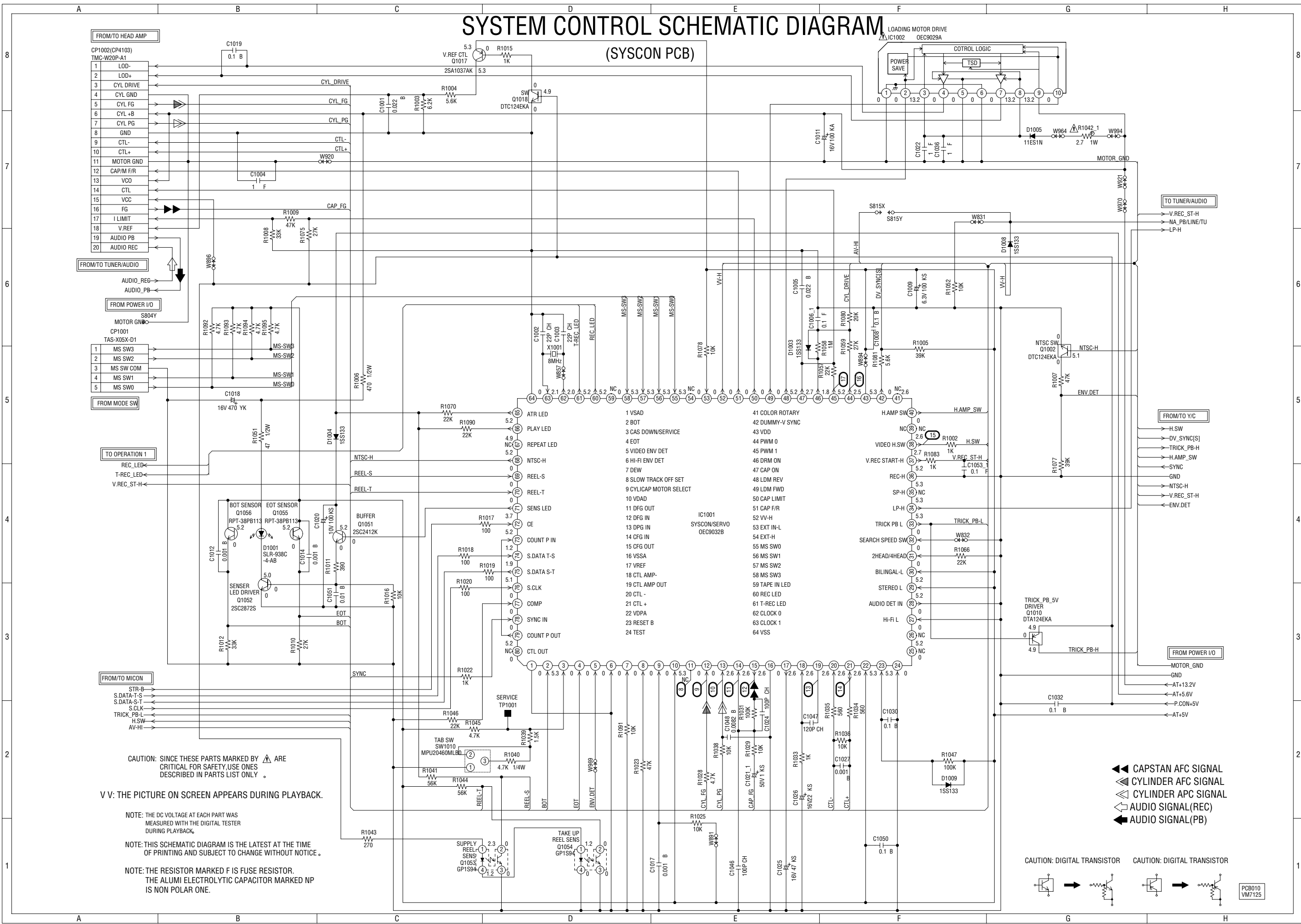
NOTE: THE DC VOLTAGE AT EACH PART WAS MEASURED WITH THE DIGITAL TESTER DURING PLAYBACK. (PAL MODE)

- ▶ RECORD LUMINANCE SIGNAL
- ◄ RECORD LUMINANCE SIGNAL
- ◄ RECORD COLOR SIGNAL
- ▶ PLAYBACK COLOR SIGNAL
- ▶ TUNER VIDEO SIGNAL

PCB010
VM7125

SYSTEM CONTROL SCHEMATIC DIAGRAM

(SYSCON PCB)



FROM/TO HEAD AMP

CP1002(CP4103)
TMC-W20P-A1

1	LOD-
2	LOD+
3	CYL DRIVE
4	CYL GND
5	CYL FG
6	CYL +B
7	CYL PG
8	GND
9	CTL-
10	CTL+
11	MOTOR GND
12	CAP/M F/R
13	VCO
14	CTL
15	VCC
16	FG
17	I LIMIT
18	V.REF
19	AUDIO PB
20	AUDIO REC

FROM/TO TUNER/AUDIO

AUDIO_REC
AUDIO_PB

FROM POWER I/O

S804Y
MOTOR GND

FROM MODE SW

TAS-X05X-D1

1	MS SW3
2	MS SW2
3	MS SW COM
4	MS SW1
5	MS SW0

TO OPERATION 1

REC_LED
T-REC_LED
V_REC_ST-H

FROM/TO MICON

STR-B
S.DATA-T-S
S.DATA-S-T
S.CLK
TRICK_PB-L
H.SW
AV-HI

TO TUNER/AUDIO

V_REC_ST-H
NA_PB/LINE/TU
LP-H

FROM/TO Y/C

H-SW
DV_SYNC[S]
TRICK_PB-H
H_AMP_SW
SYNC
GND
NTSC-H
V_REC_ST-H
ENV_DET

FROM POWER I/O

MOTOR_GND
GND
←AT+13.2V
←AT+5.6V
←P.COM+5V
←AT+5V

CAUTION: SINCE THESE PARTS MARKED BY ARE CRITICAL FOR SAFETY USE ONES DESCRIBED IN PARTS LIST ONLY.

V V: THE PICTURE ON SCREEN APPEARS DURING PLAYBACK.

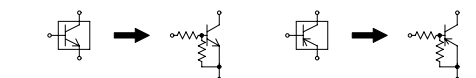
NOTE: THE DC VOLTAGE AT EACH PART WAS MEASURED WITH THE DIGITAL TESTER DURING PLAYBACK.

NOTE: THIS SCHEMATIC DIAGRAM IS THE LATEST AT THE TIME OF PRINTING AND SUBJECT TO CHANGE WITHOUT NOTICE.

NOTE: THE RESISTOR MARKED F IS FUSE RESISTOR. THE ALUMI ELECTROLYTIC CAPACITOR MARKED NP IS NON POLAR ONE.

- CAPSTAN AFC SIGNAL
- CYLINDER AFC SIGNAL
- CYLINDER APC SIGNAL
- AUDIO SIGNAL(REC)
- AUDIO SIGNAL(PB)

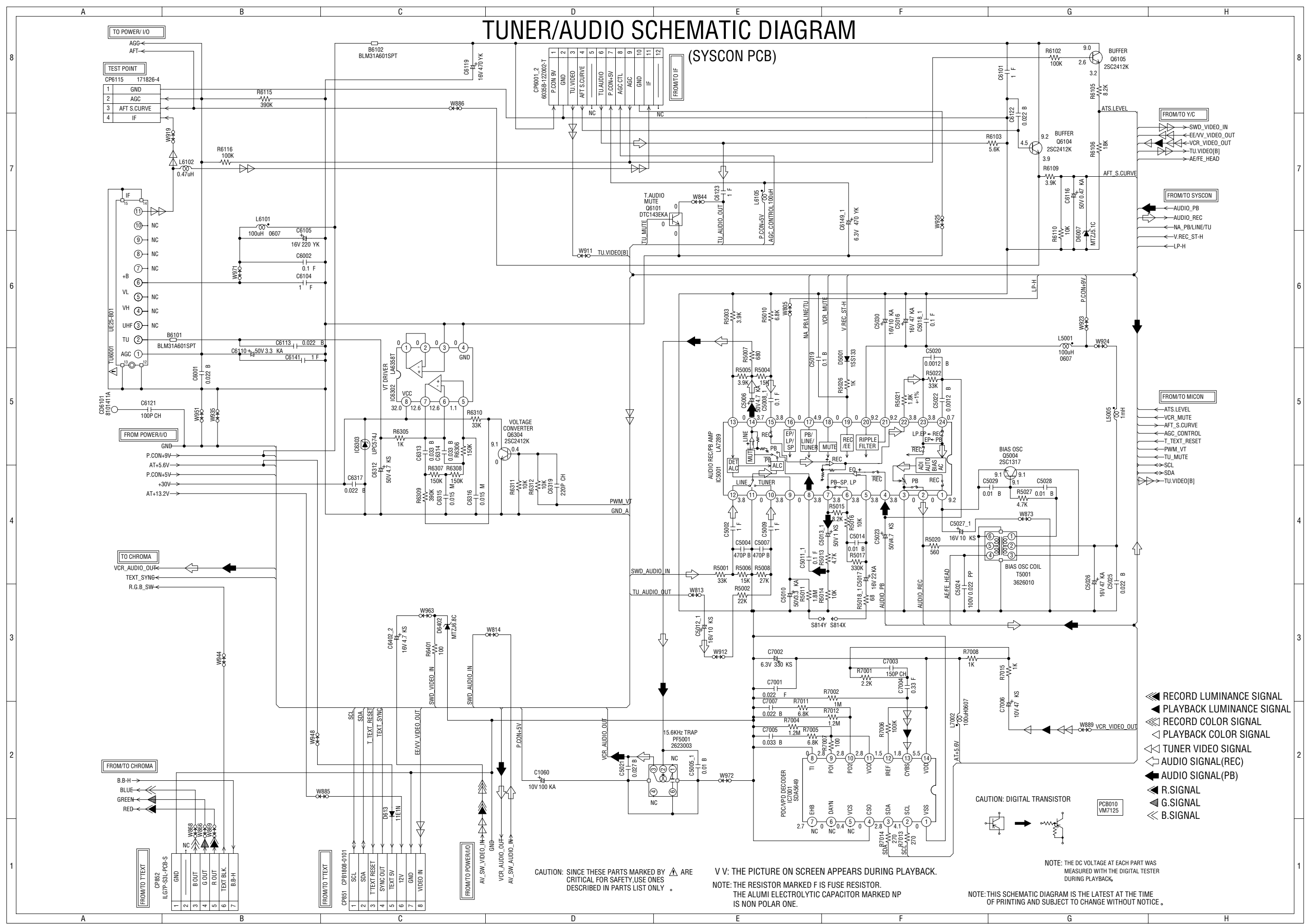
CAUTION: DIGITAL TRANSISTOR



PCB010
VM7125

TUNER/AUDIO SCHEMATIC DIAGRAM

(SYSCON PCB)



- ▶ RECORD LUMINANCE SIGNAL
- ▶ PLAYBACK LUMINANCE SIGNAL
- ▶ RECORD COLOR SIGNAL
- ▶ PLAYBACK COLOR SIGNAL
- ▶ TUNER VIDEO SIGNAL
- ▶ AUDIO SIGNAL (REC)
- ▶ AUDIO SIGNAL (PB)
- ▶ R.SIGNAL
- ▶ G.SIGNAL
- ▶ B.SIGNAL

CAUTION: SINCE THESE PARTS MARKED BY ARE CRITICAL FOR SAFETY, USE ONES DESCRIBED IN PARTS LIST ONLY.

V V: THE PICTURE ON SCREEN APPEARS DURING PLAYBACK.
 NOTE: THE RESISTOR MARKED F IS FUSE RESISTOR.
 THE ALUMI ELECTROLYTIC CAPACITOR MARKED NP IS NON POLAR ONE.

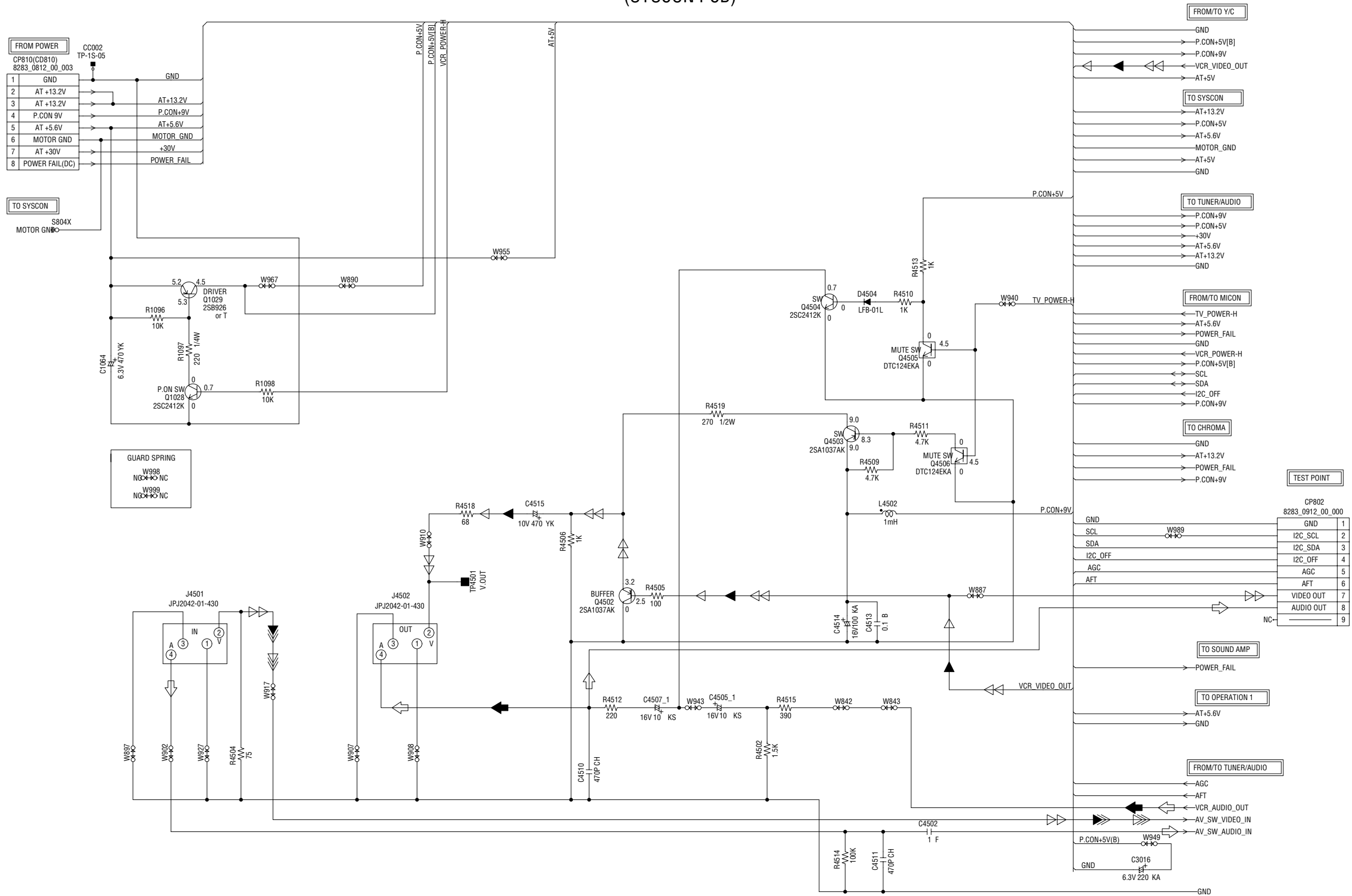
CAUTION: DIGITAL TRANSISTOR

NOTE: THE DC VOLTAGE AT EACH PART WAS MEASURED WITH THE DIGITAL TESTER DURING PLAYBACK.

NOTE: THIS SCHEMATIC DIAGRAM IS THE LATEST AT THE TIME OF PRINTING AND SUBJECT TO CHANGE WITHOUT NOTICE.

POWER/IN/OUT SCHEMATIC DIAGRAM

(SYSCON PCB)



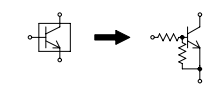
CAUTION: SINCE THESE PARTS MARKED BY ARE CRITICAL FOR SAFETY, USE ONES DESCRIBED IN PARTS LIST ONLY.

V V: THE PICTURE ON SCREEN APPEARS DURING PLAYBACK.
NOTE: THE RESISTOR MARKED F IS FUSE RESISTOR.
THE ALUMI ELECTROLYTIC CAPACITOR MARKED NP IS NON POLAR ONE.

NOTE: THE DC VOLTAGE AT EACH PART WAS MEASURED WITH THE DIGITAL TESTER DURING PLAYBACK.

NOTE: THIS SCHEMATIC DIAGRAM IS THE LATEST AT THE TIME OF PRINTING AND SUBJECT TO CHANGE WITHOUT NOTICE.

CAUTION: DIGITAL TRANSISTOR

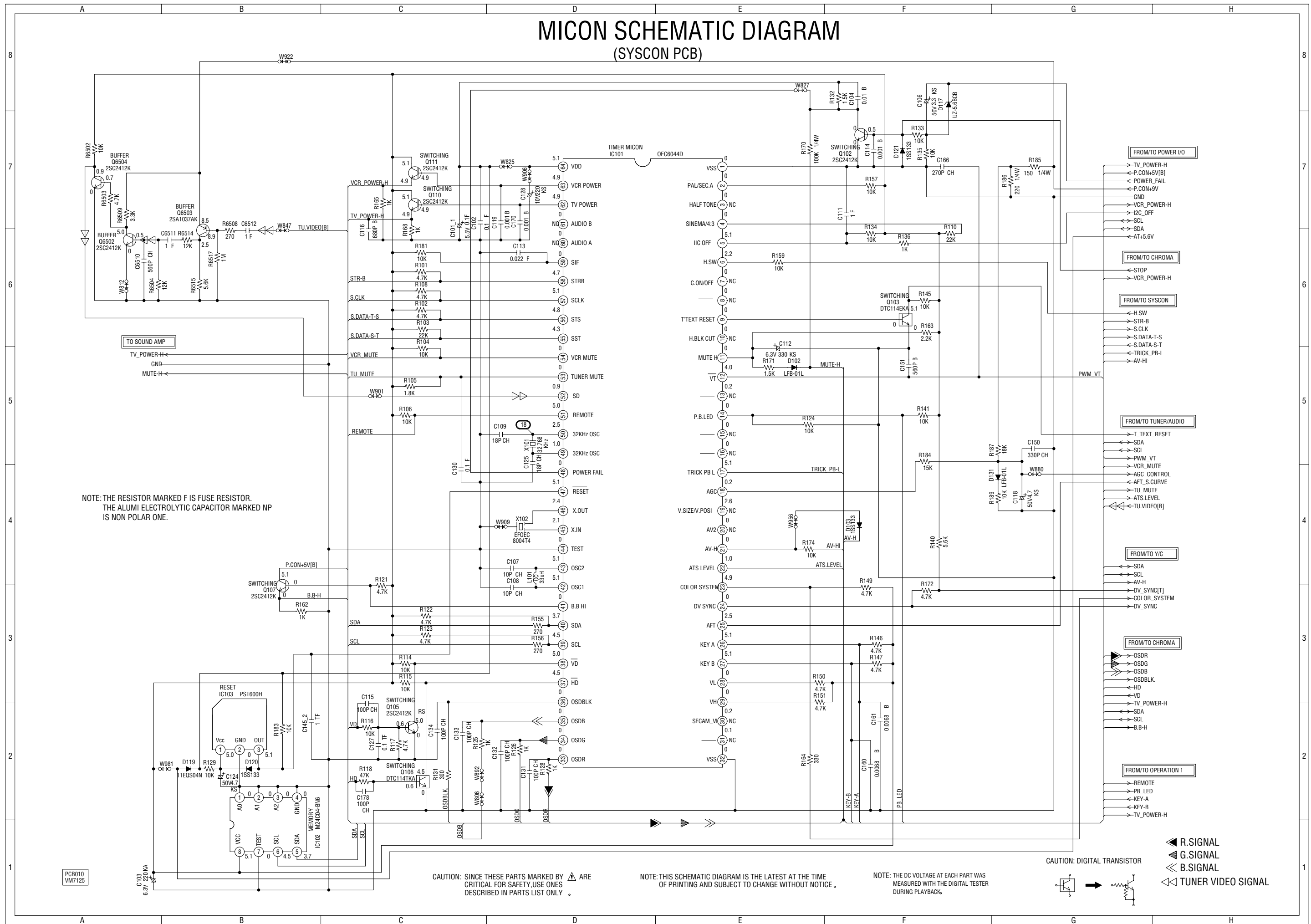


- RECORD LUMINANCE SIGNAL
- RECORD COLOR SIGNAL
- TUNER VIDEO SIGNAL
- AUDIO SIGNAL (PB)
- AUDIO SIGNAL (REC)
- PLAYBACK LUMINANCE SIGNAL
- PLAYBACK COLOR SIGNAL

PCB010
VM7125

MICON SCHEMATIC DIAGRAM

(SYSCON PCB)



NOTE: THE RESISTOR MARKED F IS FUSE RESISTOR.
THE ALUMI ELECTROLYTIC CAPACITOR MARKED NP
IS NON POLAR ONE.

CAUTION: SINCE THESE PARTS MARKED BY [triangle symbol] ARE
CRITICAL FOR SAFETY, USE ONES
DESCRIBED IN PARTS LIST ONLY.

NOTE: THIS SCHEMATIC DIAGRAM IS THE LATEST AT THE TIME
OF PRINTING AND SUBJECT TO CHANGE WITHOUT NOTICE.

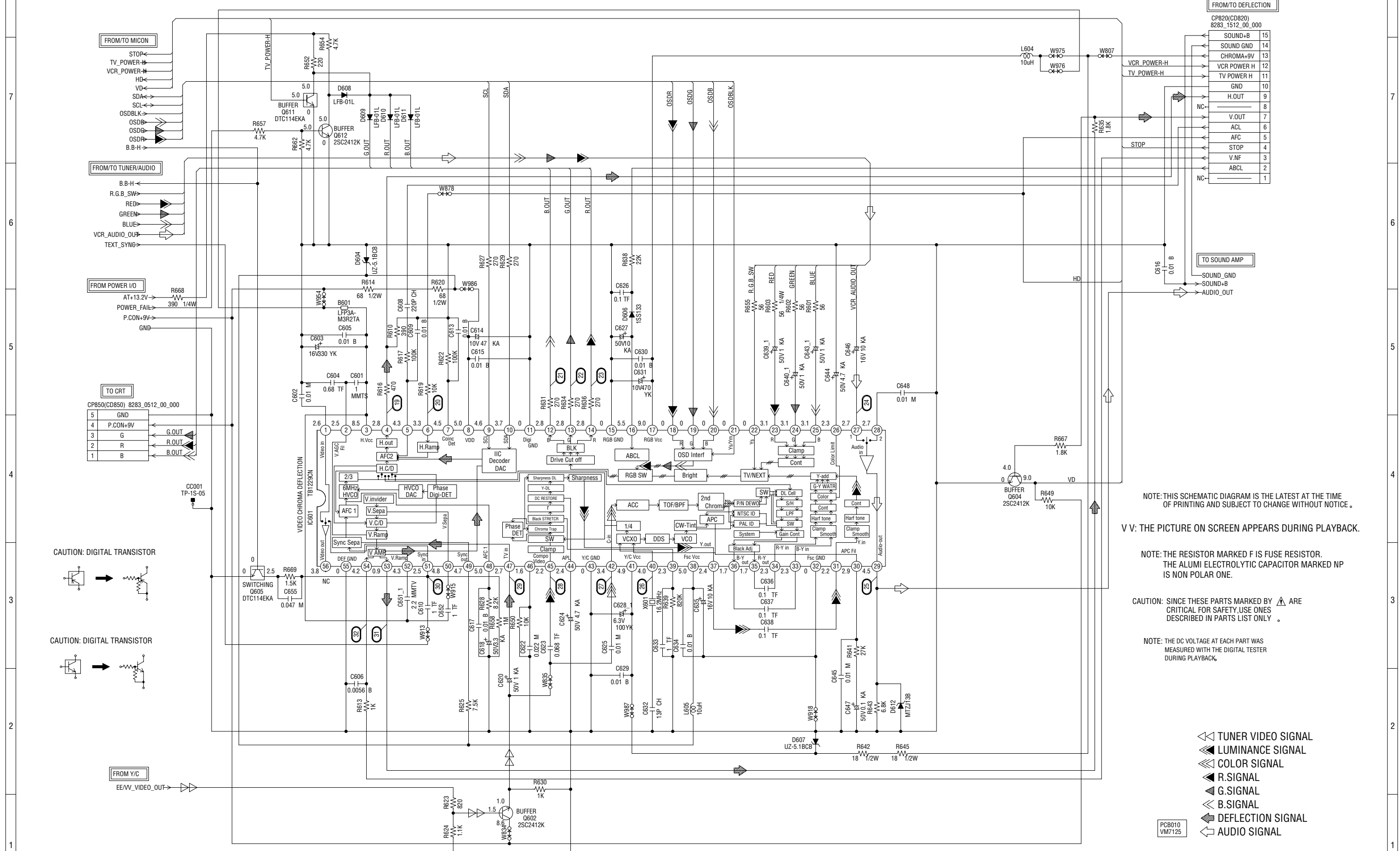
NOTE: THE DC VOLTAGE AT EACH PART WAS
MEASURED WITH THE DIGITAL TESTER
DURING PLAYBACK.

CAUTION: DIGITAL TRANSISTOR

- ◀ R.SIGNAL
- ◀ G.SIGNAL
- ◀ B.SIGNAL
- ◀ TUNER VIDEO SIGNAL

CHROMA SCHEMATIC DIAGRAM

(SYSCON PCB)



NOTE: THIS SCHEMATIC DIAGRAM IS THE LATEST AT THE TIME OF PRINTING AND SUBJECT TO CHANGE WITHOUT NOTICE.

V V: THE PICTURE ON SCREEN APPEARS DURING PLAYBACK.

NOTE: THE RESISTOR MARKED F IS FUSE RESISTOR. THE ALUMI ELECTROLYTIC CAPACITOR MARKED NP IS NON POLAR ONE.

CAUTION: SINCE THESE PARTS MARKED BY ARE CRITICAL FOR SAFETY, USE ONES DESCRIBED IN PARTS LIST ONLY.

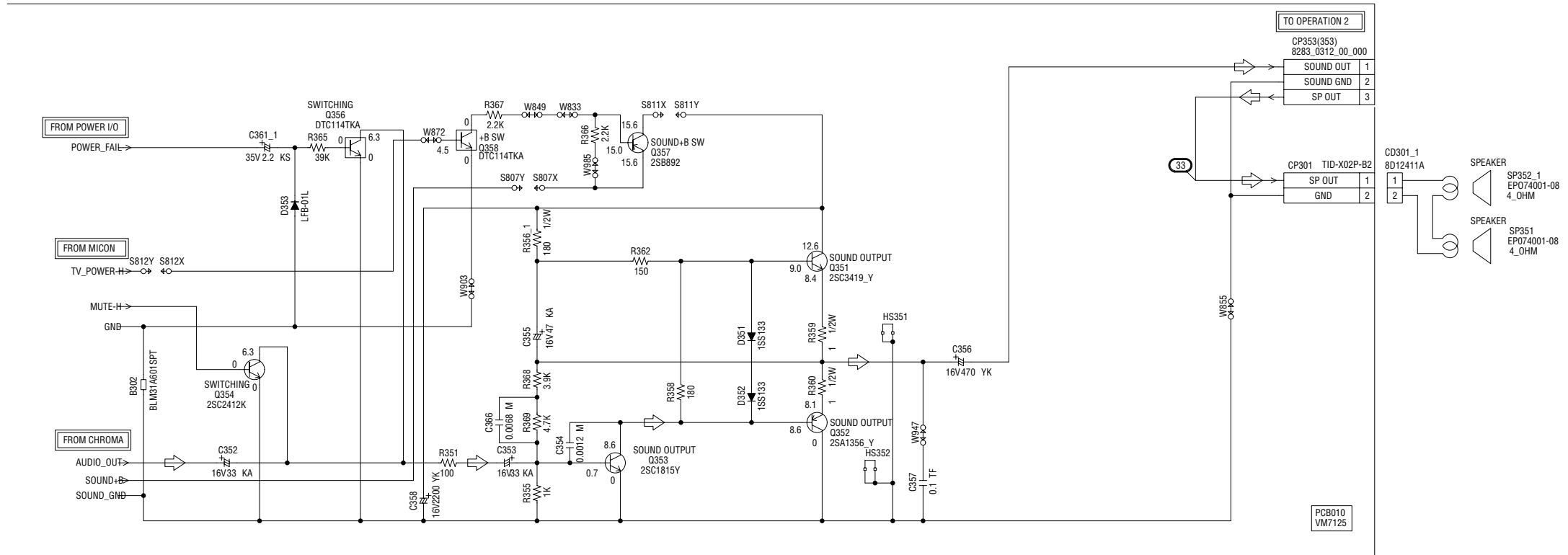
NOTE: THE DC VOLTAGE AT EACH PART WAS MEASURED WITH THE DIGITAL TESTER DURING PLAYBACK.

- TUNER VIDEO SIGNAL
- LUMINANCE SIGNAL
- COLOR SIGNAL
- R.SIGNAL
- G.SIGNAL
- B.SIGNAL
- DEFLECTION SIGNAL
- AUDIO SIGNAL

PC8010
VM7125

SOUND AMP SCHEMATIC DIAGRAM

(SYSCON PCB)



CAUTION: SINCE THESE PARTS MARKED BY ARE CRITICAL FOR SAFETY, USE ONES DESCRIBED IN PARTS LIST ONLY.

NOTE: THE RESISTOR MARKED F IS FUSE RESISTOR. THE ALUMI ELECTROLYTIC CAPACITOR MARKED NP IS NON POLAR ONE.

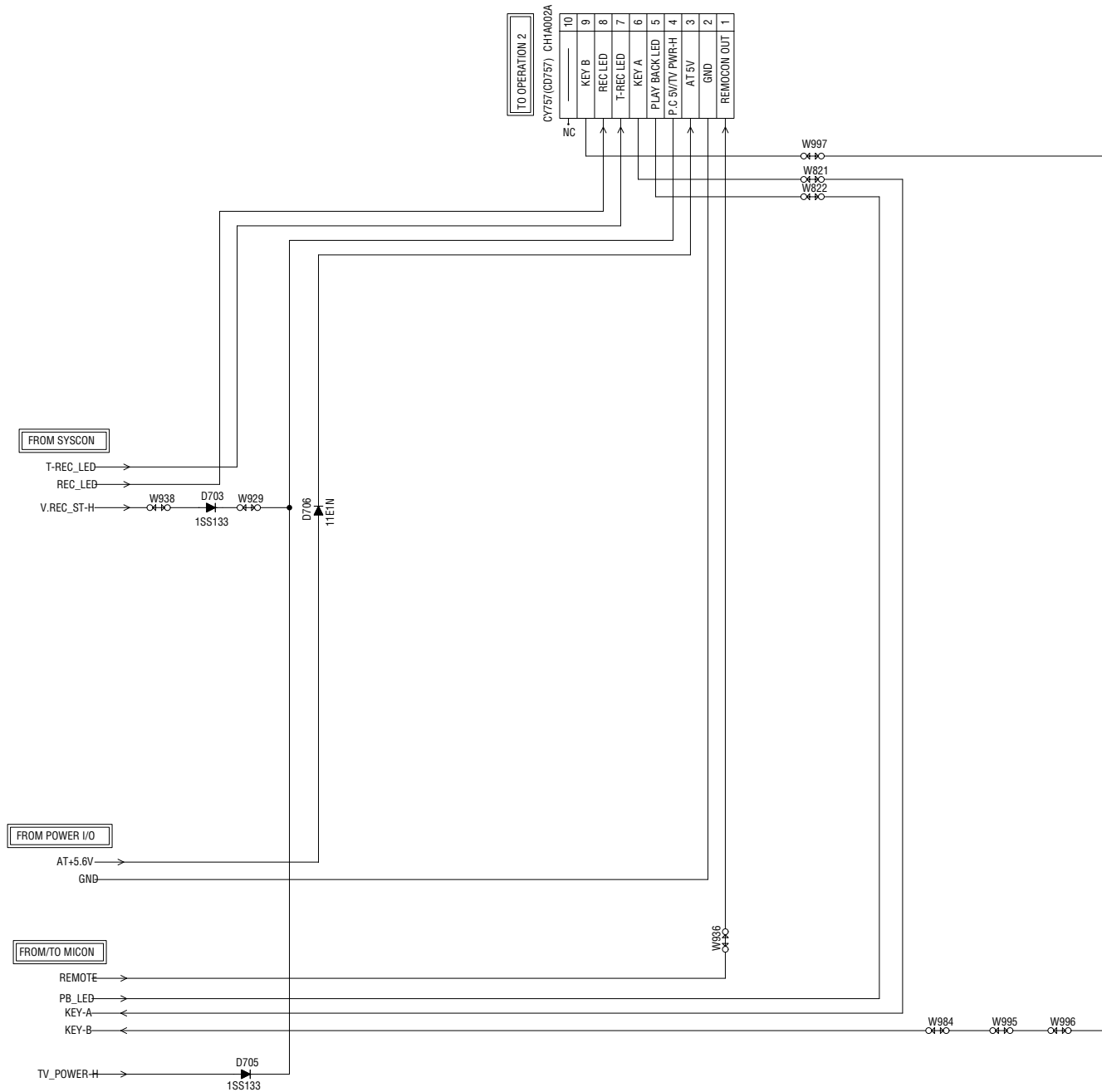
NOTE: THIS SCHEMATIC DIAGRAM IS THE LATEST AT THE TIME OF PRINTING AND SUBJECT TO CHANGE WITHOUT NOTICE.

NOTE: THE DC VOLTAGE AT EACH PART WAS MEASURED WITH THE DIGITAL TESTER DURING PLAYBACK.

CAUTION: DIGITAL TRANSISTOR

AUDIO SIGNAL

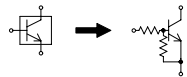
OPERATION 1 SCHEMATIC DIAGRAM (SYSCON PCB)



PCB010
VM7125

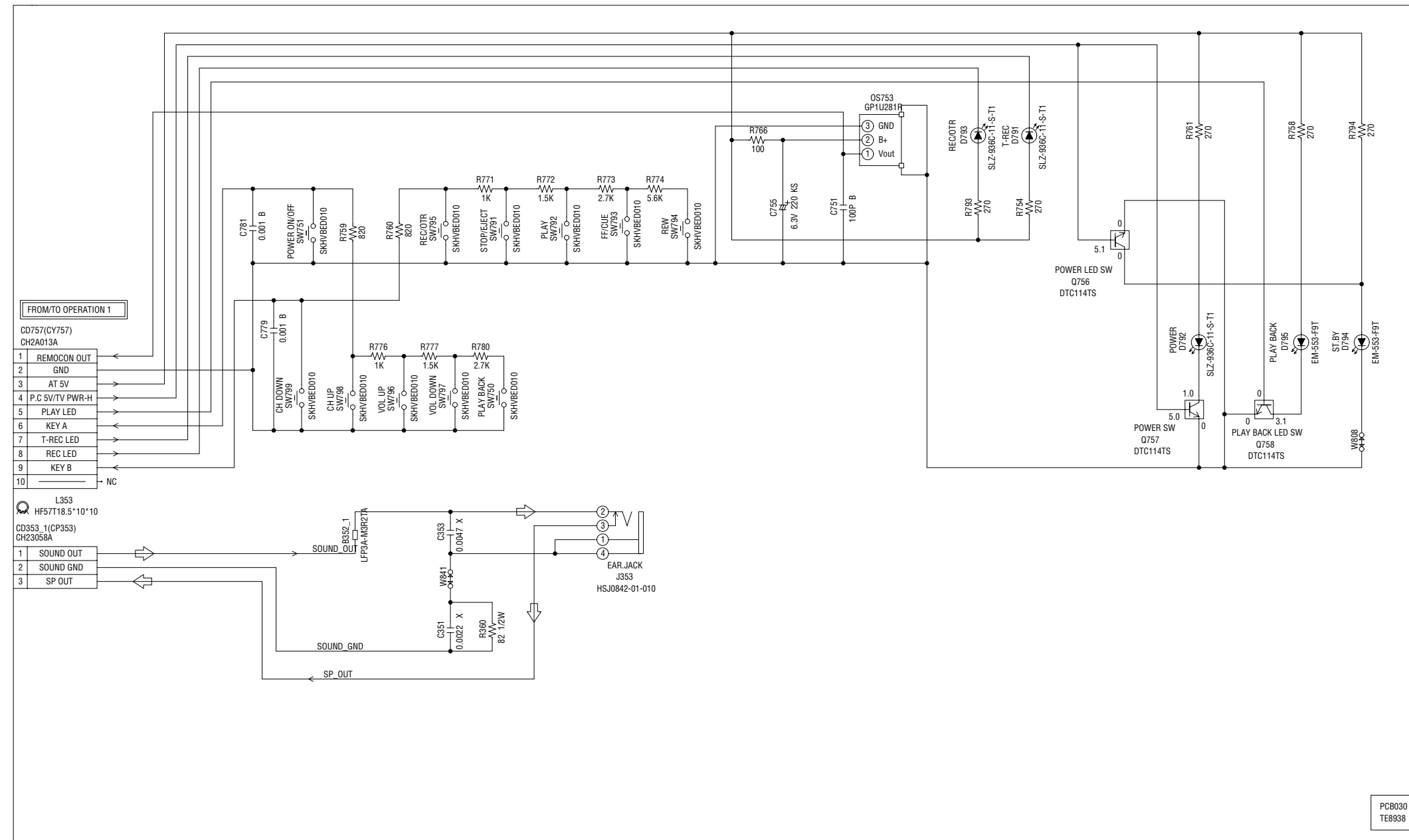
NOTE: THIS SCHEMATIC DIAGRAM IS THE LATEST AT THE TIME OF PRINTING AND SUBJECT TO CHANGE WITHOUT NOTICE.

CAUTION: DIGITAL TRANSISTOR



OPERATION 2 SCHEMATIC DIAGRAM

(OPERATION PCB)

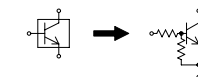


PCB030
TE8938

NOTE: THE DC VOLTAGE AT EACH PART WAS MEASURED WITH THE DIGITAL TESTER DURING PLAYBACK.

NOTE: THIS SCHEMATIC DIAGRAM IS THE LATEST AT THE TIME OF PRINTING AND SUBJECT TO CHANGE WITHOUT NOTICE.

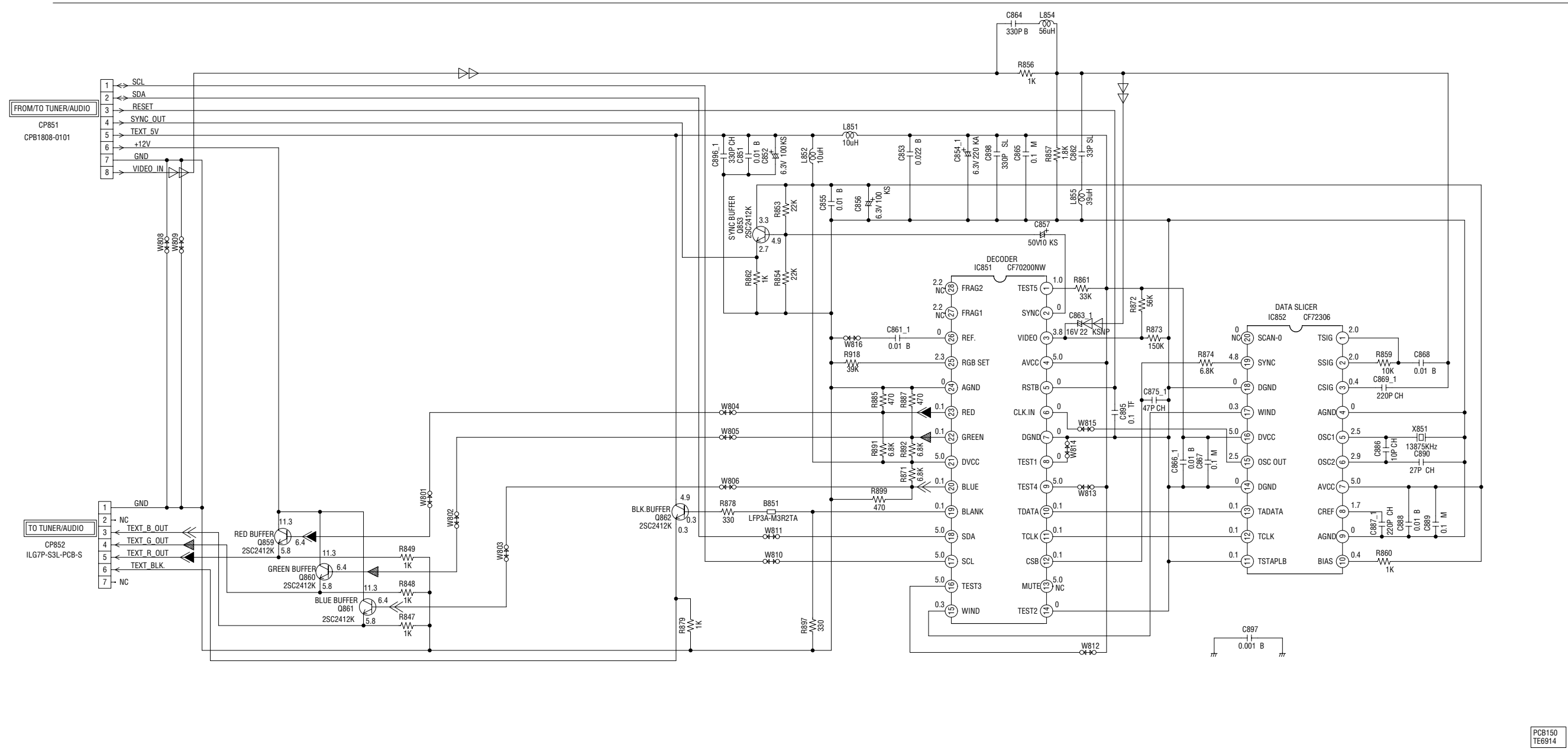
CAUTION: DIGITAL TRANSISTOR




← AUDIO SIGNAL

T'TEXT SCHEMATIC DIAGRAM





(T'TEXT PCB)



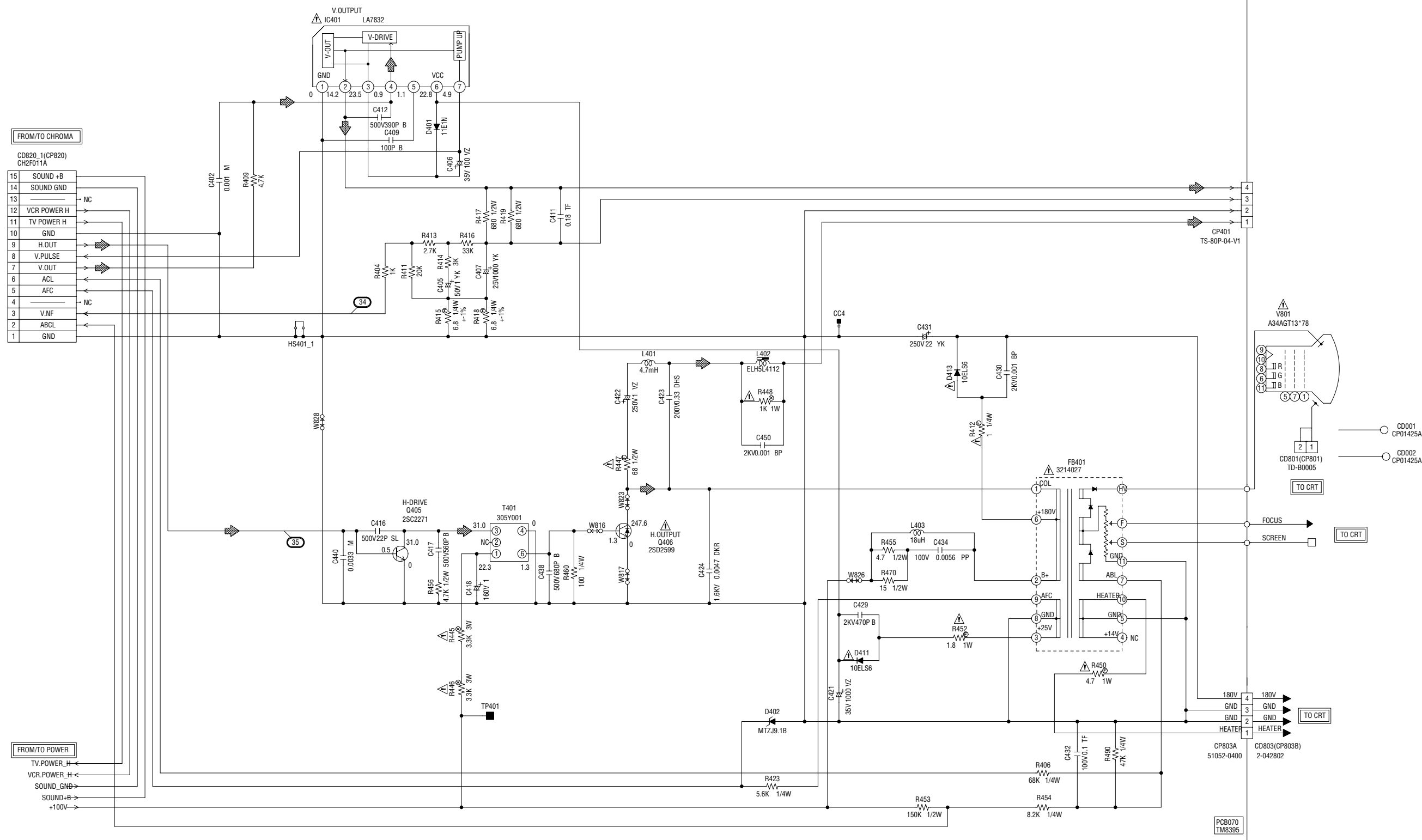
NOTE: THIS SCHEMATIC DIAGRAM IS THE LATEST AT THE TIME OF PRINTING AND SUBJECT TO CHANGE WITHOUT NOTICE.

CAUTION: SINCE THESE PARTS MARKED BY  ARE CRITICAL FOR SAFETY, USE ONES DESCRIBED IN PARTS LIST ONLY.

NOTE: THE RESISTOR MARKED F IS FUSE RESISTOR. THE ALUMI ELECTROLYTIC CAPACITOR MARKED NP IS NON POLAR ONE.

-  R.SIGNAL
-  G.SIGNAL
-  B.SIGNAL
-  TUNER VIDEO SIGNAL

DEFLECTION SCHEMATIC DIAGRAM (MAIN PCB)



FROM/TO CHROMA

15	SOUND +B
14	SOUND GND
13	NC
12	VCR POWER H
11	TV POWER H
10	GND
9	H.OUT
8	V.PULSE
7	V.OUT
6	ACL
5	AFC
4	NC
3	V.NF
2	ABCL
1	GND

FROM/TO POWER

TV.POWER_H
VCR.POWER_H
SOUND_GND
SOUND+B
+100V

NOTE: THE DC VOLTAGE AT EACH PART WAS MEASURED WITH THE DIGITAL TESTER DURING PLAYBACK.

NOTE: THIS SCHEMATIC DIAGRAM IS THE LATEST AT THE TIME OF PRINTING AND SUBJECT TO CHANGE WITHOUT NOTICE.

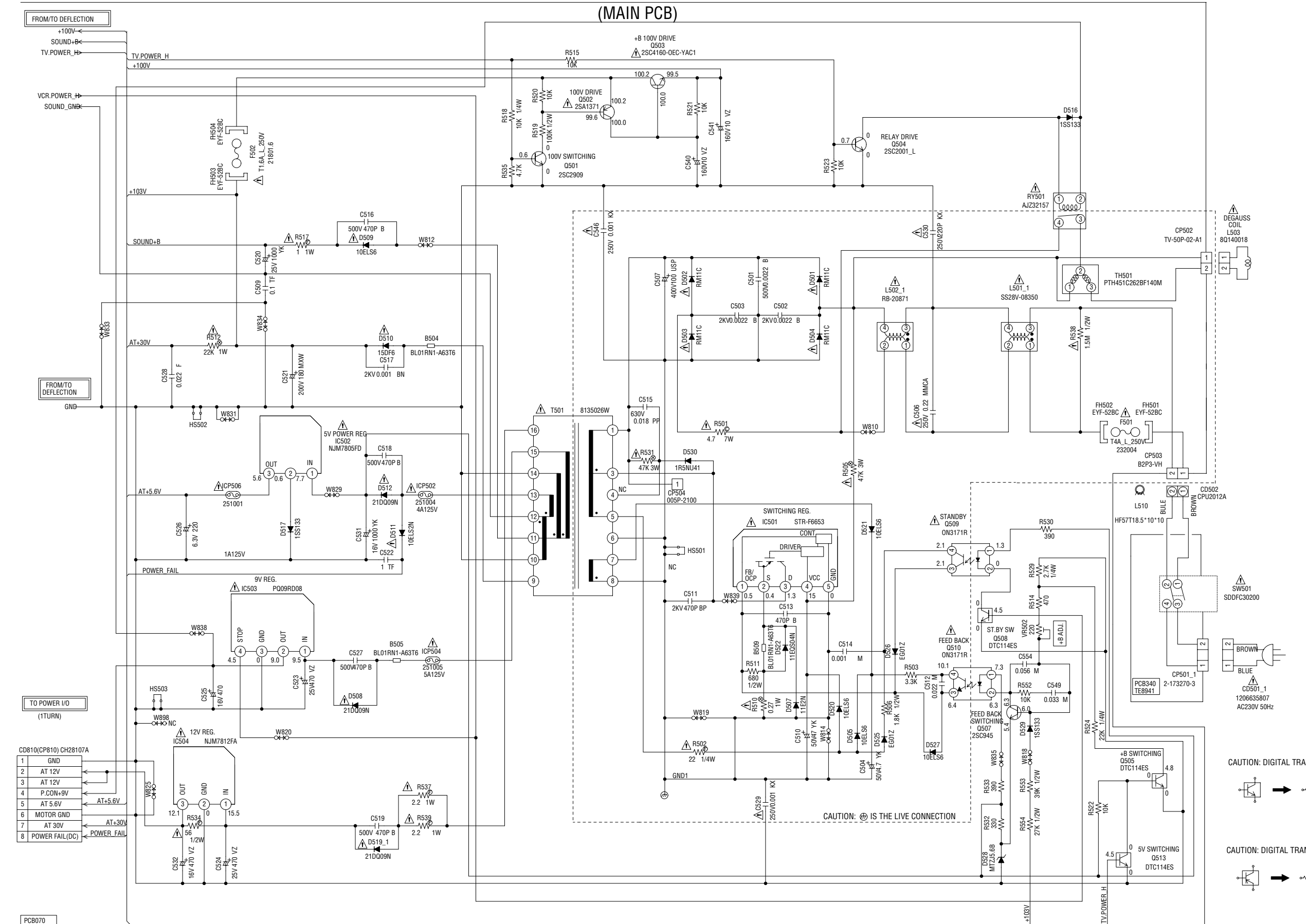
NOTE: THE RESISTOR MARKED F IS FUSE RESISTOR. THE ALUMI ELECTROLYTIC CAPACITOR MARKED NP IS NON POLAR ONE.

CAUTION: SINCE THESE PARTS MARKED BY Δ ARE CRITICAL FOR SAFETY, USE ONES DESCRIBED IN PARTS LIST ONLY.

Δ DEFLECTION SIGNAL

POWER SCHEMATIC DIAGRAM

(MAIN PCB)



TO POWER I/O
(1TURN)

1	GND
2	AT 12V
3	AT 12V
4	P.CON+9V
5	AT 5.6V
6	MOTOR GND
7	AT 30V
8	POWER FAIL(DC)

PCB070
TM8395

NOTE: THE DC VOLTAGE AT EACH PART WAS MEASURED WITH THE DIGITAL TESTER DURING PLAYBACK.

NOTE: THIS SCHEMATIC DIAGRAM IS THE LATEST AT THE TIME OF PRINTING AND SUBJECT TO CHANGE WITHOUT NOTICE.

NOTE: THE RESISTOR MARKED F IS FUSE RESISTOR. THE ALUMI ELECTROLYTIC CAPACITOR MARKED NP IS NON POLAR ONE.

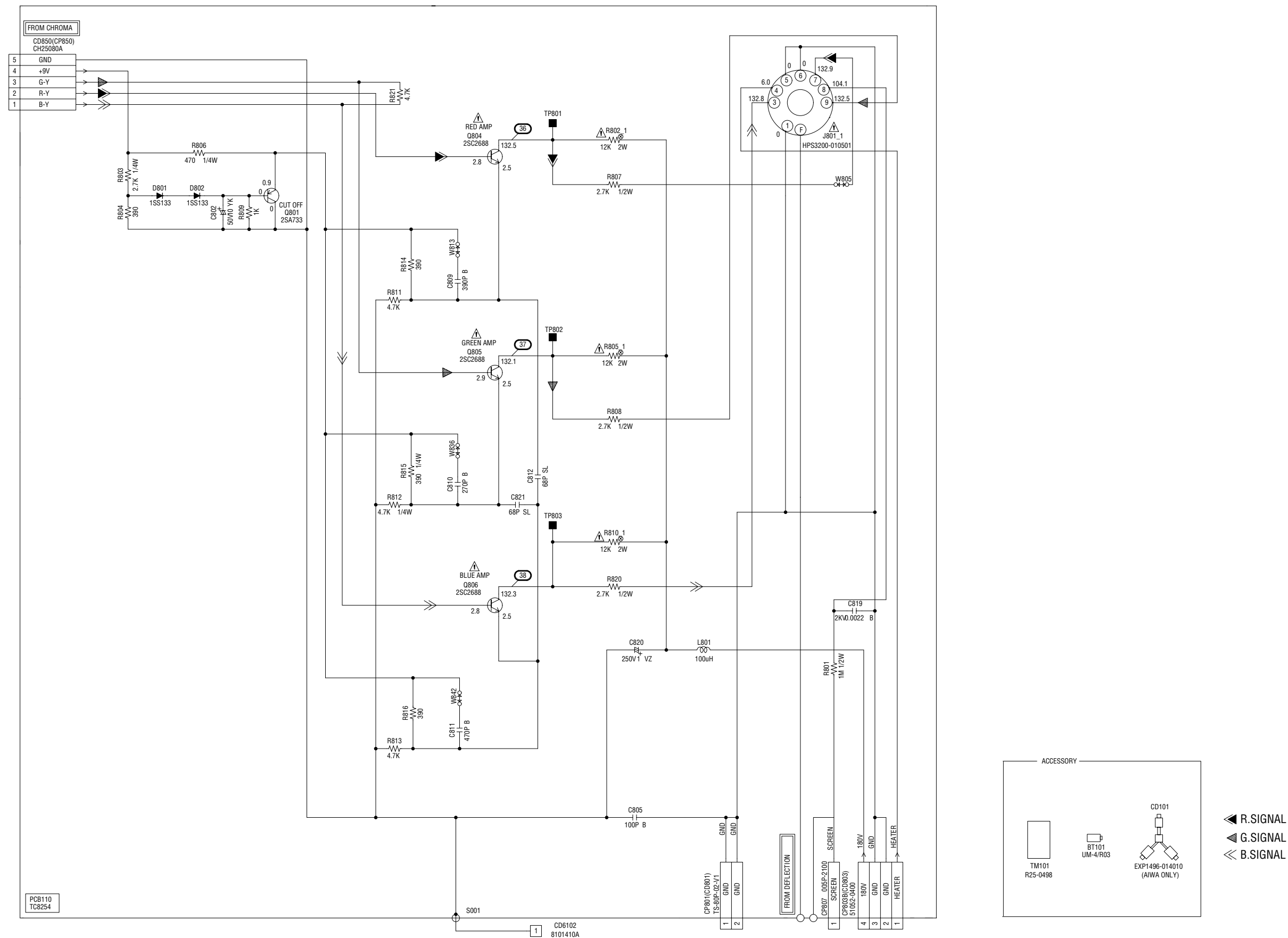
CAUTION: SINCE THESE PARTS MARKED BY ARE CRITICAL FOR SAFETY, USE ONES DESCRIBED IN PARTS LIST ONLY.

CAUTION: DIGITAL TRANSISTOR

CAUTION: DIGITAL TRANSISTOR

CRT SCHEMATIC DIAGRAM

(CRT PCB)

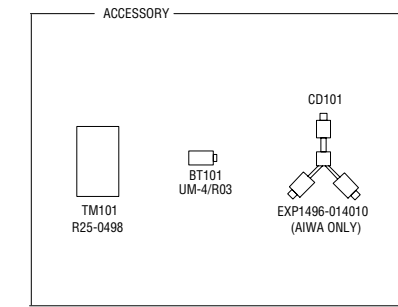


CAUTION: SINCE THESE PARTS MARKED BY ARE CRITICAL FOR SAFETY, USE ONES DESCRIBED IN PARTS LIST ONLY.

NOTE: THE RESISTOR MARKED F IS FUSE RESISTOR. THE ALUMI ELECTROLYTIC CAPACITOR MARKED NP IS NON POLAR ONE.

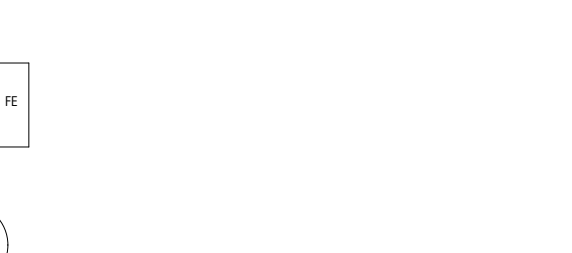
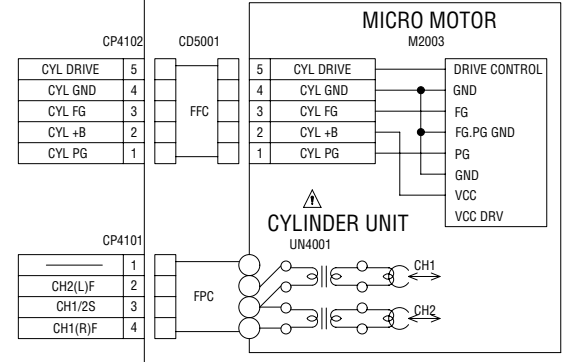
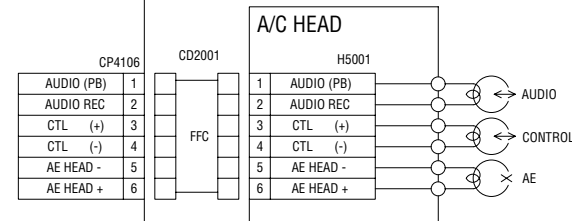
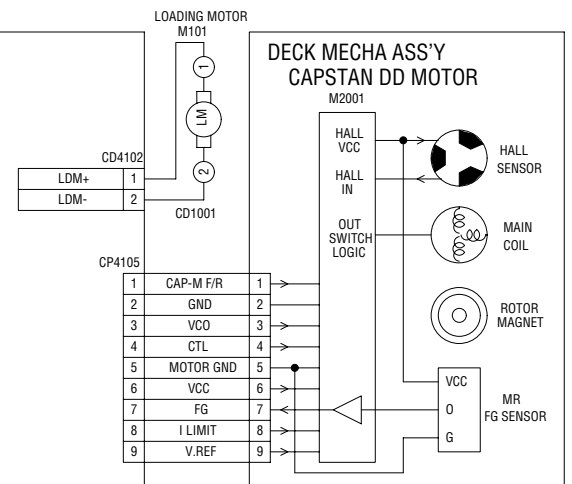
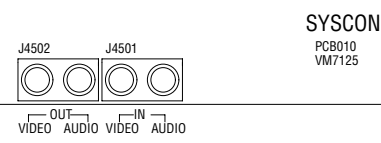
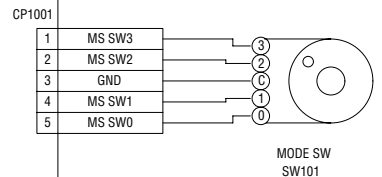
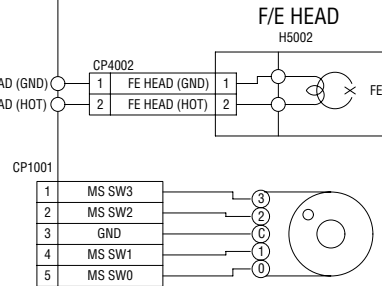
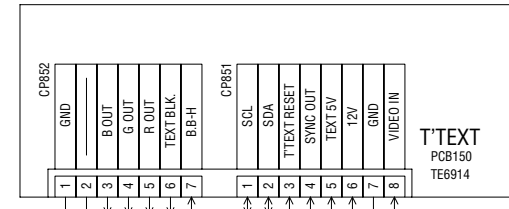
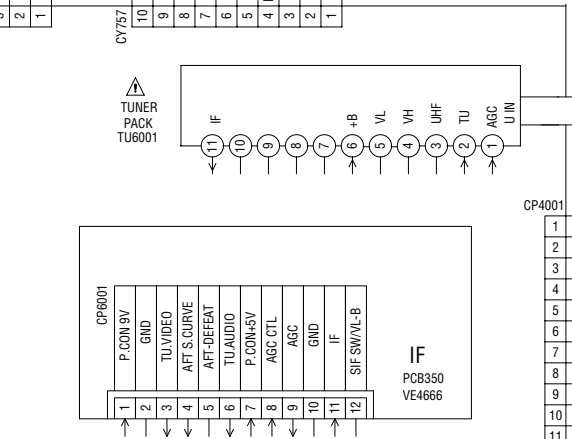
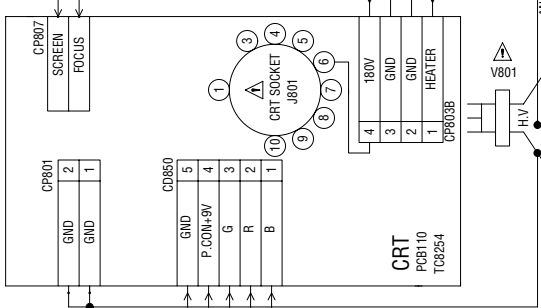
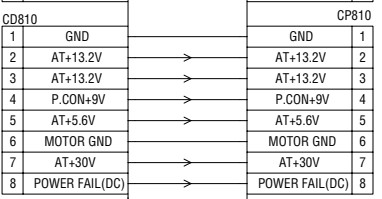
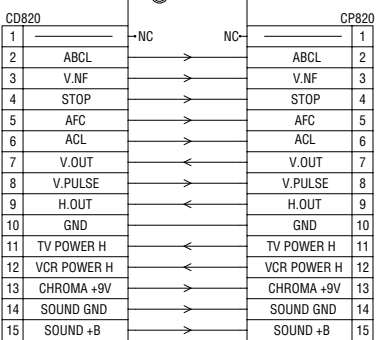
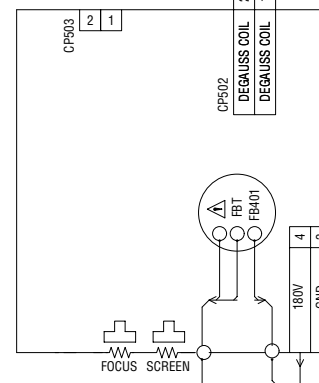
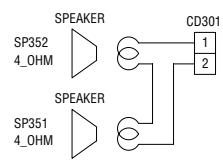
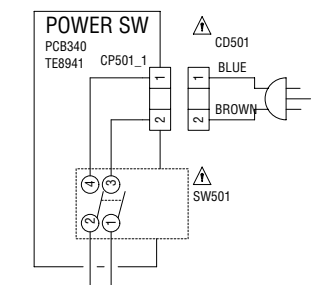
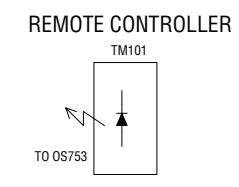
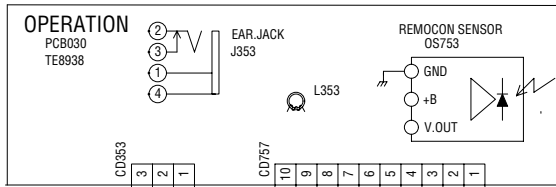
NOTE: THIS SCHEMATIC DIAGRAM IS THE LATEST AT THE TIME OF PRINTING AND SUBJECT TO CHANGE WITHOUT NOTICE.

NOTE: THE DC VOLTAGE AT EACH PART WAS MEASURED WITH THE DIGITAL TESTER DURING PLAYBACK.



R.SIGNAL
 G.SIGNAL
 B.SIGNAL

INTERCONNECTION DIAGRAM



V V: THE PICTURE ON SCREEN APPEARS DURING PLAYBACK.

CAUTION: SINCE THESE PARTS MARKED BY ARE CRITICAL FOR SAFETY, USE ONES DESCRIBED IN PARTS LIST ONLY.

NOTE: THIS INTERCONNECTION DIAGRAM IS THE LATEST AT THE TIME OF PRINTING AND SUBJECT TO CHANGE WITHOUT NOTICE.