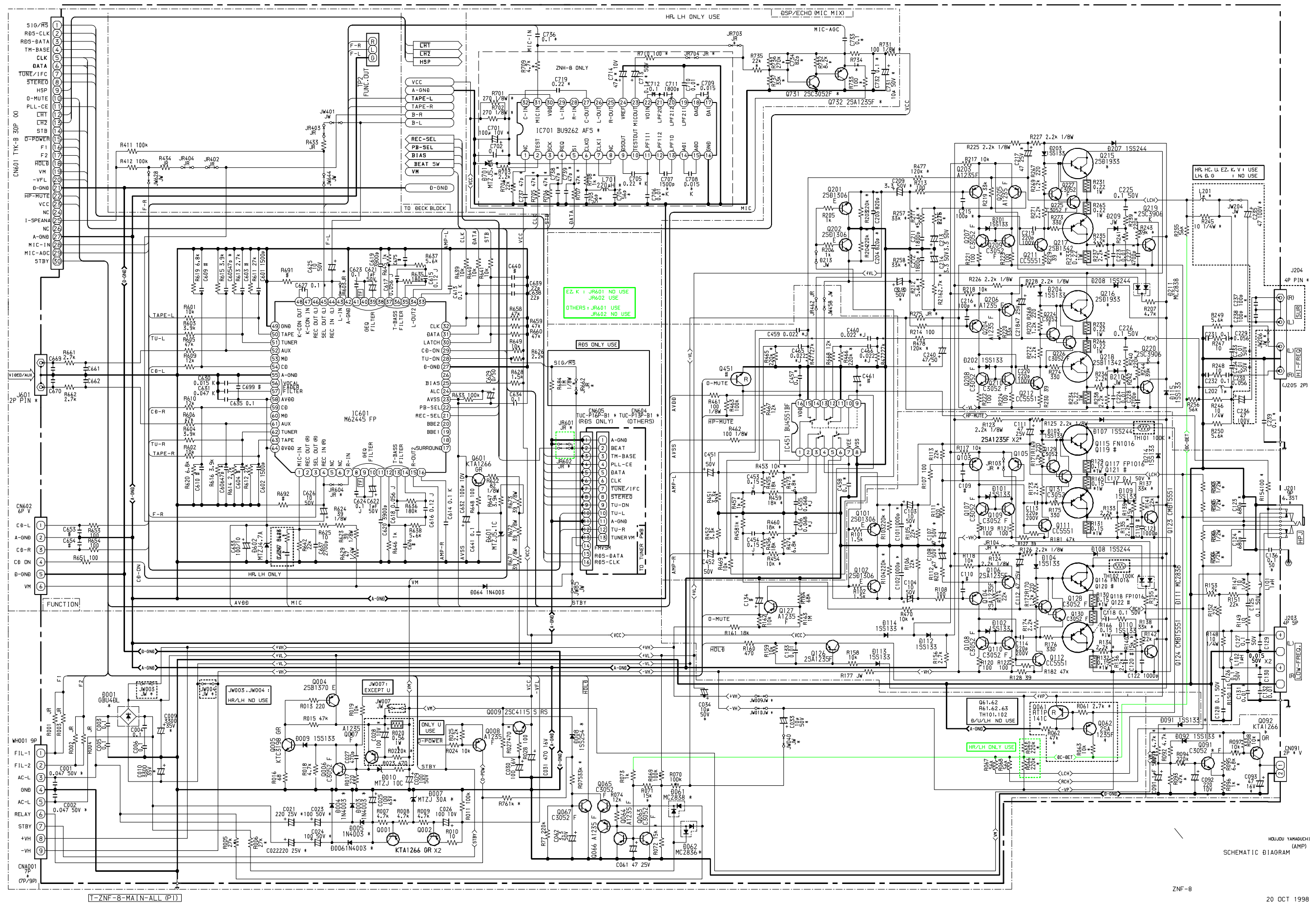
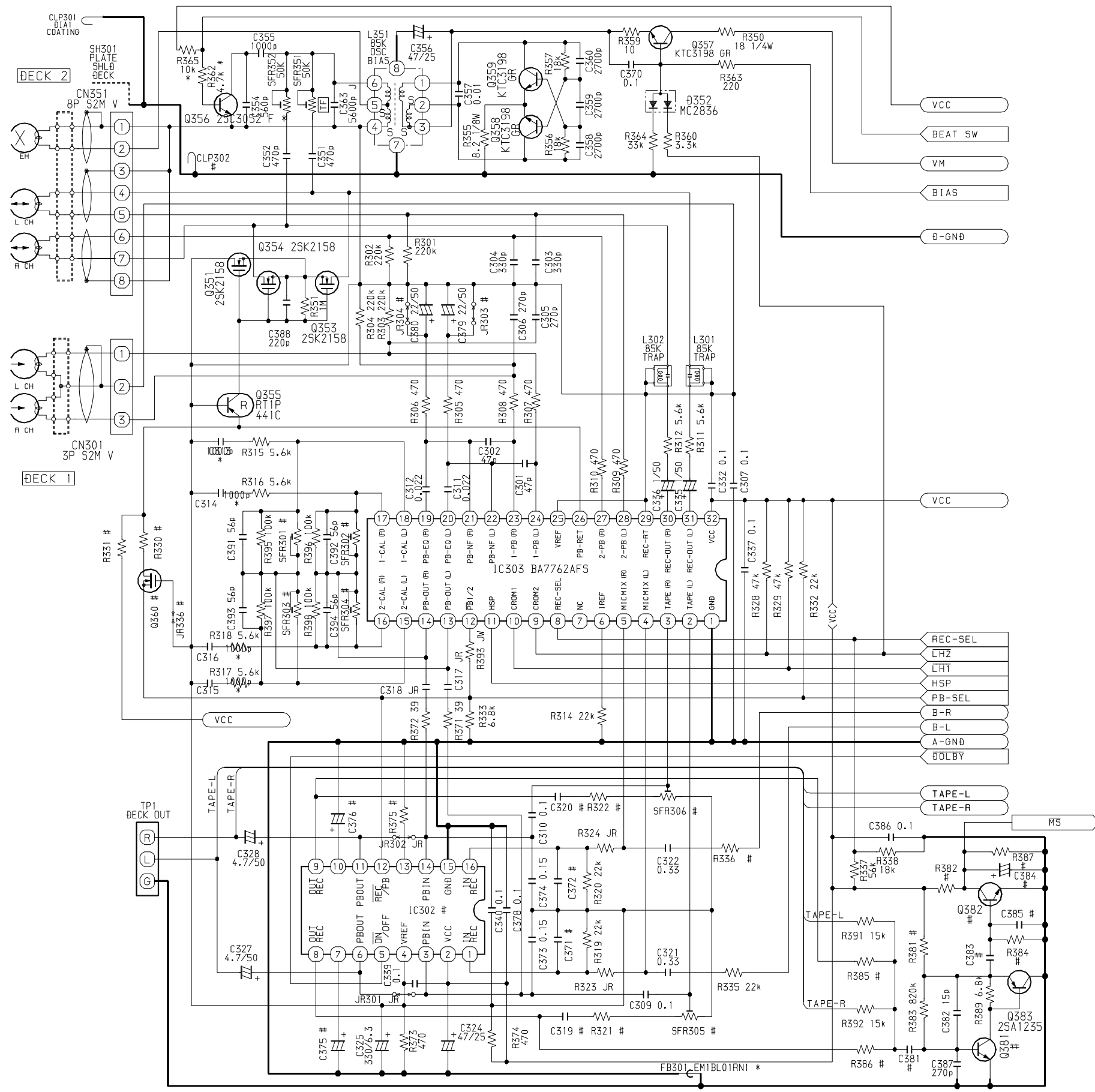


AIWA NSX-A555 SCHEMATIC DIAGRAM _ 1 (AMP)



HODJURO YAMAGUCHI
SCHEMATIC DIAGRAM (AMP)

SCHEMATIC DIAGRAM - 2 (DECK)



HR, LH, B OTHERS

	W/O_DOLBY (R+R)	W/O_DOLBY (R+L+1+1)
JR303	X	X
JR304	X	X
C379	22/25	22/50
C380	22/50	22/50
C313	1000P	1500P
C314	1000P	1500P
R315	5.6K	5.6K
R316	5.6K	5.6K
C315	1000P	2200P
C316	1000P	2200P
R317	5.6K	5.6K
R318	5.6K	5.6K
C391	56P	56P
C392	56P	56P
C393	56P	56P
C394	56P	56P
R395	100K	100K
R396	100K	100K
R397	100K	100K
R398	100K	100K
SFR301	X	X
SFR302	X	X
SFR303	X	X
SFR304	X	X
C317	C-JR	C-JR
C318	C-JR	C-JR
R371	39	39
R372	39	39
C375	X	X
C376	X	X
R375	X	X
JR301	C-JR	C-JR
JR302	C-JR	C-JR

	USE BA7762AF5	USE HA12211
Q356	X	X
Q357	X	X
R330	X	C-JR
R331	X	33K
JR336	X	C-JR

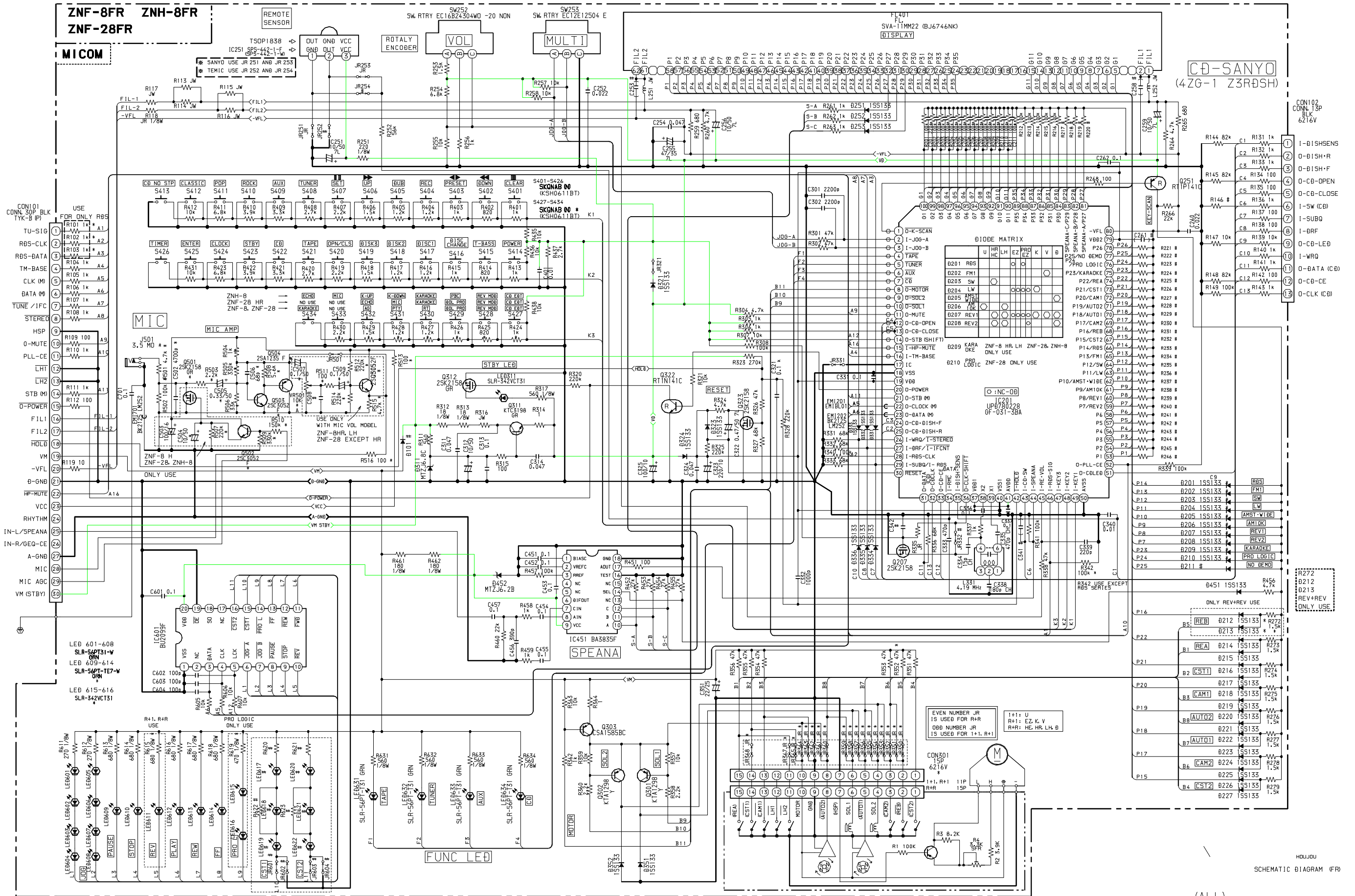
	EZ K MODEL	EXCEPT EZ K
Q356	2SC3052F	X
R362	4.7K	X
R365	10K	X

	EZ K MODEL	EXCEPT EZ
FB301	EM1BL01RN1	JW

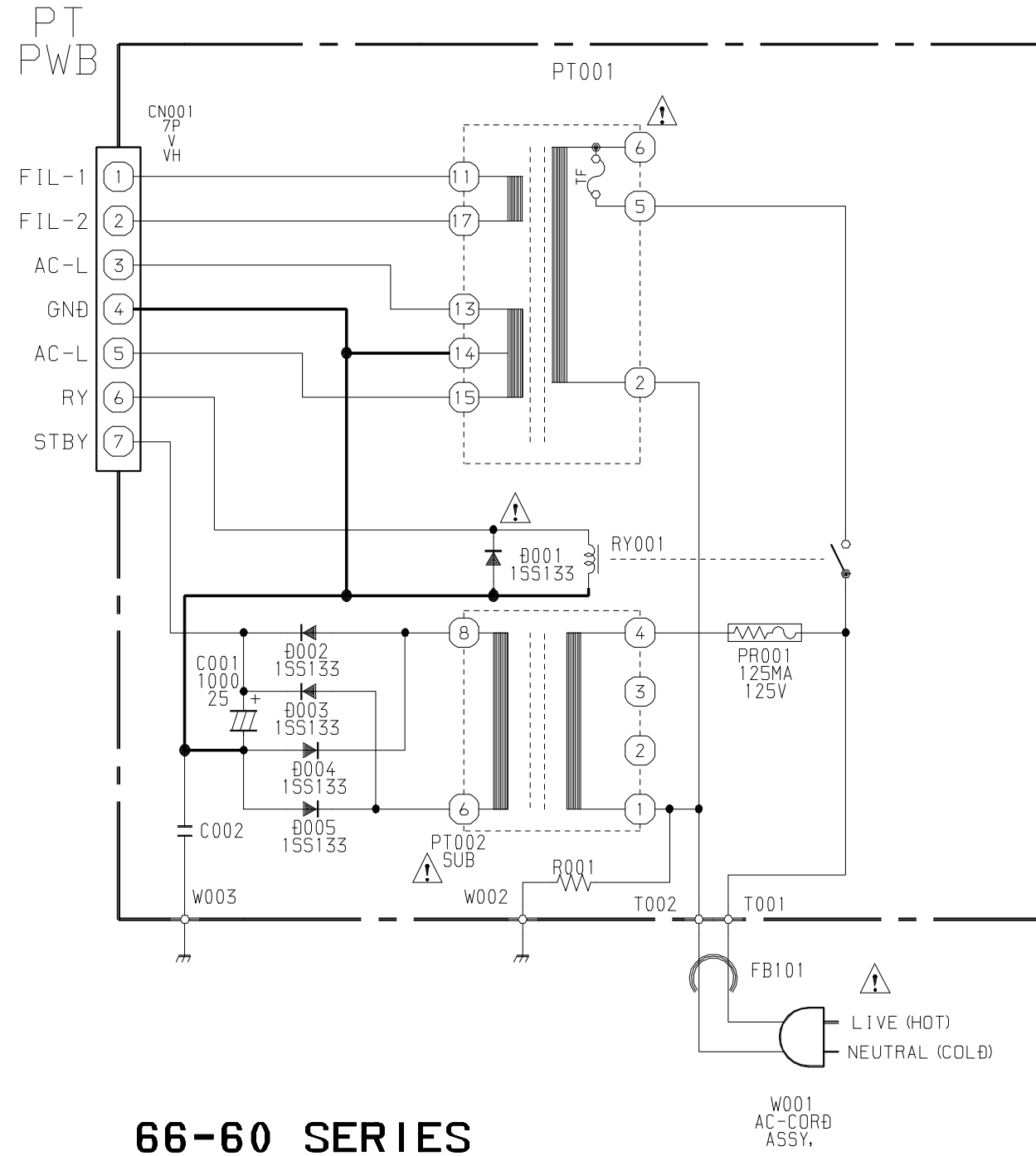
HOUJOU KOMATSU

T-ZNF-8-MAIN-ALL (P2)

SCHEMATIC DIAGRAM - 3 (FRONT)



SCHEMATIC DIAGRAM - 4 (POWER SUPPLY)



66-60 SERIES

ZNF-8 U, EZ, K, V, D

T.H0J0 T.H0J0

ZNF-8-PT

T-ZNF8-AC-66

20 OCT 1998