

aiwa



RM-77 RM-78

RADIO CASSETTE
RECORDER

• TYPE: 77EZ,77HR,77SH,
78EZ

SIMPLE MANUAL

• Replace this Service Manual with "Revision Publishing" when it is issued.

S/M Code No. 09-991-408-1T1

MANUAL
SERVICE

ELECTRICAL MAIN PARTS LIST - 1/2

NOTE: The characters in the suffix column indicate the part usage.

7HRXX.....A.
 8EZXX.....B.
 7EZXX.....C.
 7SHXX.....D.
 KANRI

REF.NO	PARTS NO.	NO.	DESCRIPTION	SUFFIX
C	28	87-010-235-080	CAP,E 470-16 SME	ABCD
C	29	87-010-380-080	CAP, ELECT 47-16V	ABCD
C	34	87-010-379-080	CAP, ELECT 22-16V	ABCD
C	32	87-010-404-080	CAP, ELECT 4.7-50V	ABCD
C	31	87-010-545-080	CAP, ELECT 0.22-50V	ABCD
C	33	87-A10-176-010	CAP,CER 1000P-50 M D	ABCD
C	39	87-A10-295-080	CAP,M 0.01-50 J	ABCD
C	35	87-A10-295-080	CAP,M 0.01-50 J	ABCD
C	37	8Z-CM1-620-010	CAP,CER 500-50 SL	ABCD
C	36	8Z-CM1-620-010	CAP,CER 500-50 SL	ABCD
C	40	87-010-235-080	CAP,E 470-16 SME	ABCD
C	41	87-010-235-080	CAP,E 470-16 SME	ABCD
C	46	87-010-235-080	CAP,E 470-16 SME	ABCD
C	44	87-010-235-080	CAP,E 470-16 SME	ABCD
C	43	87-010-380-080	CAP, ELECT 47-16V	ABCD
C	42	87-010-400-080	CAP, ELECT 0.47-50V	ABCD
C	48	87-015-997-010	CAP, ELECT 2200UF-16V	ABCD
C	55	87-010-378-080	CAP, ELECT 10-16V	ABCD
C	58	87-010-380-080	CAP, ELECT 47-16V	ABCD
C	54	87-A10-170-010	CAP,CER 330P-50 K B	ABCD
C	59	87-A10-182-010	CAP,CER 0.01-50 Z F	ABCD
C	57	87-A10-182-010	CAP,CER 0.01-50 Z F	ABCD
C	53	87-A10-291-080	CAP,M 4700P-50 J	ABCD
C	56	8Z-CM1-620-010	CAP,CER 500-50 SL	ABCD
C	64	87-010-101-080	CAP, ELECT 220-16	ABCD
C	66	87-010-378-080	CAP, ELECT 10-16V	ABCD
C	65	87-010-378-080	CAP, ELECT 10-16V	ABCD
C	61	87-010-401-080	CAP, ELECT 1-50V	ABCD
C	69	87-010-402-080	CAP, ELECT 2.2-50V	ABCD
C	60	87-A10-182-010	CAP,CER 0.01-50 Z F	ABCD
C	67	8Z-CM1-620-010	CAP,CER 500-50 SL	ABCD
C	62	8Z-CM1-620-010	CAP,CER 500-50 SL	ABCD
C	71	87-010-101-080	CAP, ELECT 220-16	ABCD
C	73	87-010-235-080	CAP,E 470-16 SME	ABCD
C	74	87-A10-161-010	CAP,CER 56P-50 K SL	ABCD
C	72	87-A10-307-080	CAP,M 0.1-50 J	ABCD
C	84	87-010-544-080	CAP, ELECT 0.1-50V	ABCD
C	85	87-010-545-080	CAP, ELECT 0.22-50V	ABCD
CN	1	8Z-CM1-661-010	CONN,4P V MOTOR	ABCD
CN	2	8Z-CM1-662-010	CONN,3P V HEAD	ABCD
D	7	87-017-088-080	ZENER,HZS5B1	ABCD
D	9	8Z-CM1-656-010	DIODE, 1N4001	ABCD
D	8	8Z-CM1-656-010	DIODE, 1N4001	ABCD
D	6	8Z-CM1-657-010	DIODE, 1N60	ABCD
D	5	8Z-CM1-657-010	DIODE, 1N60	ABCD
D	12	87-A91-052-080	LED,SEL6227S RED	ABCD
IC	2	88-CM2-608-010	IC,TA7628 HP	ABCD
J	1	8Z-CM1-608-010	JACK, EP ZCM-1	ABCD
L	5	87-005-692-080	COIL,47UH	ABCD
L	8	87-005-692-080	COIL,47UH	ABCD
Q	1	87-CD7-603-080	TR,SS8050	ABCD
R	50	8Z-CM1-603-010	VR,RTRY 50K A MAIN	ABCD
R	60	8Z-CM1-604-010	VR,RTRY 10K B TONE	ABCD
SW	2	8Z-CM1-600-010	SW,FUNC.	ABCD
SW	3	8Z-CM1-601-010	SW,PB/REC	ABCD
SW	4	8Z-CM1-602-010	SW,BEAT	ABCD
T	8	8Z-CM1-605-010	COIL, BIAS	ABCD
BPFF	1	8Z-CM1-644-010	FLTR,BPF ZCM-1V	ABCD
C	8	87-010-400-080	CAP, ELECT 0.47-50V	ABCD
C	9	87-A10-176-010	CAP,CER 1000P-50 M D	ABCD
C	1	87-A10-182-010	CAP,CER 0.01-50 Z F	ABCD
C	7	87-A10-496-010	CAP,CER 18P-50 J CH	ABCD
C	5	88-254-150-010	CERAMIC CAPACITOR, 15PF	.BC
C	4	88-254-330-810	CAP CERA 68P (CH)	ABCD
C	7	88-254-330-810	CAP CERA 68P (CH)	ABCD
C	3	88-RU7-634-010	CAP,CER 20P-50 J CH	ABCD
C	5	88-RU7-634-010	CAP,CER 20P-50 J CH	ABCD
C	6	88-RU7-634-010	CAP,CER 20P-50 J CH	ABCD
C	4	8Z-CM1-649-010	CAP,CER 50P-50 CH	.BC
C	19	87-010-235-080	CAP,E 470-16 SME	ABCD
C	12	87-010-400-080	CAP, ELECT 0.47-50V	ABCD
C	18	87-A10-160-010	CAP,CER 47P-50 K SL	ABCD
C	13	87-A10-182-010	CAP,CER 0.01-50 Z F	ABCD
C	17	87-A10-182-010	CAP,CER 0.01-50 Z F	ABCD
C	15	87-A10-182-010	CAP,CER 0.01-50 Z F	ABCD
C	16	87-A10-182-010	CAP,CER 0.01-50 Z F	ABCD
C	10	87-A10-291-080	CAP,M 4700P-50 J	ABCD
C	11	87-A10-291-080	CAP,M 4700P-50 J	ABCD
C	14	88-254-220-810	CAP CERA 24P-CH	ABCD
C	13	8Z-CM1-645-010	CAP,CER 8P-50 UJ	A
C	13	8Z-CM1-646-010	CAP,CER 5P-50 UJ	.D
C	14	8Z-CM1-647-010	CAP,CER 12P-50 UJ	ABC
C	15	8Z-CM1-648-010	CAP,CER 3300P-50 CH	A

ELECTRICAL MAIN PARTS LIST - 2/2

C	13	8Z-CM1-650-010	CAP,CER 100P-50 UJ	.BC.....
C	15	8Z-CM1-651-010	CAP,CER 5600P-50 CH	...D.....
C	16	8Z-CM1-652-010	CAP,CER 2200P-50 CH	ABCD.....
C	27	87-010-221-080	CAP, ELECT 470-10V	ABCD.....
C	22	87-010-378-080	CAP, ELECT 10-16V	ABCD.....
C	25	87-A10-176-010	CAP,CER 1000P-50 M D	ABCD.....
C	76	87-A10-129-010	CAP,CER 3P-50 K CH
C	79	87-A10-136-010	CAP,CER 10P-50K CH	...D.....
C	78	87-A10-182-010	CAP,CER 0.01-50 Z F
C	77	87-A10-182-010	CAP,CER 0.01-50 Z F
C	77	8Z-CM1-646-010	CAP,CER 5P-50 UJ	...D.....
C	86	87-A10-577-010	CAP,CER 0.022-50 Z YF	...D.....
C	87	87-A10-577-010	CAP,CER 0.022-50 Z YF	...D.....
C	80	8Z-CM1-653-010	CAP,CER 50P-50 SL
CF	2	87-008-261-010	FILTER, SFE10.7MA5-A	ABCD.....
CF	1	87-008-582-010	FLTR,SFU455B	A...D.....
CF	1	8Z-CM1-642-010	FLTR,CER SFU465	.BC.....
D	4	87-002-850-080	ZENER,HZ4B2	ABCD.....
D	1	87-A40-246-080	DIODE,IN4148 T-72	ABCD.....
D	3	87-A40-246-080	DIODE,IN4148 T-72	ABCD.....
D	2	87-A40-246-080	DIODE,IN4148 T-72	ABCD.....
D	15	87-020-605-080	DIODE,1SS135
D	13	87-020-605-080	DIODE,1SS135
D	14	87-A40-246-080	DIODE,IN4148 T-72
D	10	87-CD8-614-010	VARI-CAP,1S2638
D	10	8Z-CM1-655-010	VARI-CAP, FV1043	ABCD.....
D	13	8Z-CM1-655-010	VARI-CAP, FV1043	...D.....
IC	1	87-A20-540-010	IC,TA8164P	ABCD.....
L	2	8Z-CM1-629-010	COIL,FM OSC	ABCD.....
L	1	8Z-CM1-630-010	COIL,FM RF	ABCD.....
L	1	8Z-CM1-631-010	COIL,5T 4.5MM
L	2	8Z-CM1-632-010	COIL,3T 4.5MM
L	6	8Z-CM1-633-010	COIL,FM ANT	...D.....
L	4	8Z-CM1-633-010	COIL,FM ANT	ABC.....
L	7	8Z-CM1-634-010	COIL,SW2 ANT	...D.....
L	12	8Z-CM1-631-010	COIL,5T 4.5MM
L	11	8Z-CM1-631-010	COIL,5T 4.5MM
PVC	1	8Z-CM1-635-010	TUN-CAP, D/H	A.....
PVC	1	8Z-CM1-636-010	TUN-CAP, EZ	.BC.....
PVC	1	8Z-CM1-637-010	TUN-CAP, V
PVC	1	8Z-CM1-638-010	TUN-CAP, SH	...D.....
SW	1	8Z-CM1-617-010	SW,TU 3BAND	ABC.....
SW	1	8Z-CM1-618-010	SW,TU 4BAND	...D.....
T	1	8Z-CM1-616-010	COIL,FM DET	ABCD.....
T	5	8Z-CM1-625-010	COIL,SW OSC	A.....
T	5	8Z-CM1-626-010	COIL,SW1 OSC	...D.....
T	6	8Z-CM1-627-010	COIL,SW2 OSC	...D.....
T	5	8Z-CM1-628-010	COIL,LW OSC	.BC.....
T	2	8Z-CM1-639-010	COIL,FM IFT	ABCD.....
T	3	8Z-CM1-640-010	COIL,MW IFT	ABCD.....
T	4	8Z-CM1-641-010	COIL,MW OSC	ABCD.....
TC	1	87-011-252-080	TRIMMER 10P LAR	A.....
TC	2	87-011-252-080	TRIMMER 10P LAR	...D.....
TC	3	87-011-252-080	TRIMMER 10P LAR	...D.....
TC	4	87-011-252-080	TRIMMER 10P LAR	...D.....
TC	1	87-011-252-080	TRIMMER 10P LAR	...D.....
TC	2	87-011-252-080	TRIMMER 10P LAR	A.....
TC	2	8Z-CM1-643-010	TRIMMER,20P	.BC.....
TC	1	8Z-CM1-643-010	TRIMMER,20P	.BC.....

MECHANICAL PARTS LIST - 1/1

NOTE: The characters in the suffix column indicate the part usage.

7HRXX.....A.....
 8EZXX.....B.....
 7EZXX.....C.....
 7SHXX.....D.....

REF.NO	PARTS NO.	NO.	DESCRIPTION	SUFFIX
	8Z-CM1-004-010		BOX,CASS	A.CD
	8Z-CM1-005-010		WINDOW,CASS	ABCD
	8Z-CM1-006-010		WINDOW,TU	ABCD
	8Z-CM1-007-010		LID,BATT	A.CD
	8Z-CM1-013-010		COVER,TWEETER	A.CD
	8Z-CM1-014-010		POINTER,	ABCD
	8Z-CM1-015-010		ARM,HANDL L	A..D
	8Z-CM1-016-010		ARM,HANDL R	A..D
	8Z-CM1-018-010		GRILLE,SP	A.CD
	8Z-CM1-019-010		HANDL,BAR	A.CD
	8Z-CM1-021-010		PANEL,TU HR	A.....
	8Z-CM1-022-010		PANEL,TU SH	...D
	8Z-CM1-026-010		PANEL,TU LEZ	..C
	8Z-CM1-027-010		PANEL,TU B LEZ	.B
	8Z-CM1-028-010		PANEL,TU B V
	8Z-CM1-031-010		CABI,FR EX	A.CD
	8Z-CM1-032-010		CABI,FR B EX	.B
	8Z-CM1-041-010		CABI,REAR HR	A.....
	8Z-CM1-042-010		CABI,REAR SH	...D
	8Z-CM1-046-010		CABI,REAR LEZ	..C
	8Z-CM1-047-010		CABI,REAR B V
	8Z-CM1-048-010		CABI,REAR B LEZ	.B
	8Z-CM1-052-010		LID,CASS HR	A.....
	8Z-CM1-053-010		LID,CASS SH	...D
	8Z-CM1-055-010		LID,CASS LEZ	..C
	8Z-CM1-056-010		LID,CASS B V
	8Z-CM1-057-010		LID,CASS B LEZ	.B
	8Z-CM1-082-010		BOX,CASS B	.B
	8Z-CM1-083-010		LID,BATT B	.B
	8Z-CM1-088-010		COVER,TWEETER B	.B
	8Z-CM1-089-010		ARM,HANDL L B	.B
	8Z-CM1-090-010		ARM,HANDL R B	.B
	8Z-CM1-091-010		GRILLE,SP B	.B
	8Z-CM1-092-010		HANDL,BAR B	.B
	8Z-CM1-104-010		ARM,HANDL L G	..C
	8Z-CM1-105-010		ARM,HANDL R G	..C
	8Z-CM1-008-010		KNOB,RTRY TU	A.CD
	8Z-CM1-009-010		KNOB,RTRY VOL	...D
	8Z-CM1-010-010		KEY,CASS	A.CD
	8Z-CM1-011-010		KNOB,SL BAND	...D
	8Z-CM1-012-010		KNOB,SL FUNC	...D
	8Z-CM1-039-010		KNOB,RTRY FINE	...D
	8Z-CM1-040-010		KNOB,SL OSC	A.CD
	8Z-CM1-081-010		KEY,CASS B	.B
	8Z-CM1-084-010		KNOB,RTRY TU B	.B
	8Z-CM1-085-010		KNOB,RTRY VOL B	.B
	8Z-CM1-086-010		KNOB,SL BAND B	.B
	8Z-CM1-087-010		KNOB,SL FUNC B	.B
	8Z-CM1-094-010		KNOB,SL OSC B	.B
	8Z-CM1-101-010		KNOB,RTRY VOL G	A.C
	8Z-CM1-102-010		KNOB,SL BAND G	A.C
	8Z-CM1-103-010		KNOB,SL FUNC G	A.C
	8Z-CM1-201-010		HLDR,BAND	ABCD
	8Z-CM1-202-010		RING,HANDL	ABCD
	8Z-CM1-203-010		HLDR,BAR ANT	ABCD
	87-261-032-410		V+2-3 GLD	ABCD
	87-261-096-410		SCREW,V+3-10 GLD	ABCD
	87-651-099-410		VT1+3-15	ABCD
	87-651-102-410		VT1 3-20 GLD	ABCD
	87-654-095-410		VT1+3-8 CR	ABCD
	87-724-096-410		QT2+3-10 W/O SLOT CR	ABCD
	8Z-CM1-611-010		PT,EZ	.BC
	8Z-CM1-621-010		BAR-ANT,MW/SW	A.....
	8Z-CM1-622-010		BAR-ANT,MW/LW	.BC
	8Z-CM1-623-010		BAR-ANT,MW
	8Z-CM1-624-010		BAR-ANT,SH	...D
ANT	0	8Z-CM1-615-010	ANT,ROD ZCM-1	ABCD
J	2	8Z-CM1-619-010	JACK,AC EZ	ABCD
PT	1	8Z-CM1-610-010	PT,H	A..D
SP	1	8Z-CM1-606-010	SPKR, 4OHM ZCM-1	ABCD
SP	2	8Z-CM1-607-010	SPKR,T ZCM-1	ABCD
SW	6	8Z-CM1-613-010	SW,LEAF	ABCD

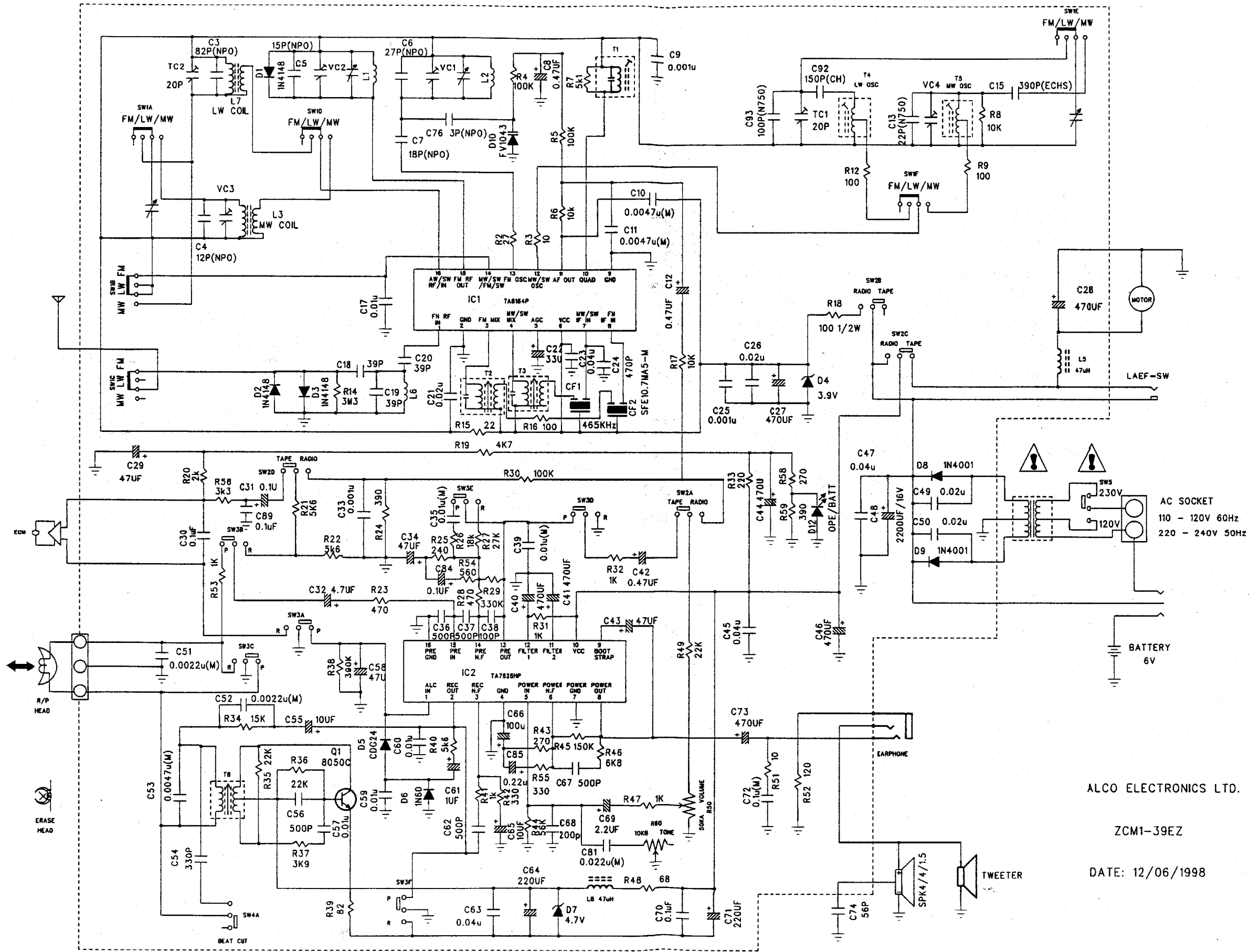
ACCESSORIES / PACKAGE LIST - 1/1

NOTE: The characters in the suffix column indicate the part usage.

7HRXX.....	A.....
8EZXX.....	B.....
7EZXX.....	C.....
7SHXX.....	D.....

REF.NO	PARTS NO.	KANRI NO.	DESCRIPTION	SUFFIX
	8Z-CM1-907-010		IB,SH(ECA)A	A..D.....
	8Z-CM1-908-010		IB,EZ(9L)A	.BC.....
	8Z-CM1-910-010		IB,V(ER)A
	87-099-789-010		PLUG,ADPTR IR44	A..D.....
	87-A80-081-010		AC CORD SET ASSY,EZ BLK	ABCD.....

SCHEMATIC DIAGRAM - 1 (MAIN : EZ)

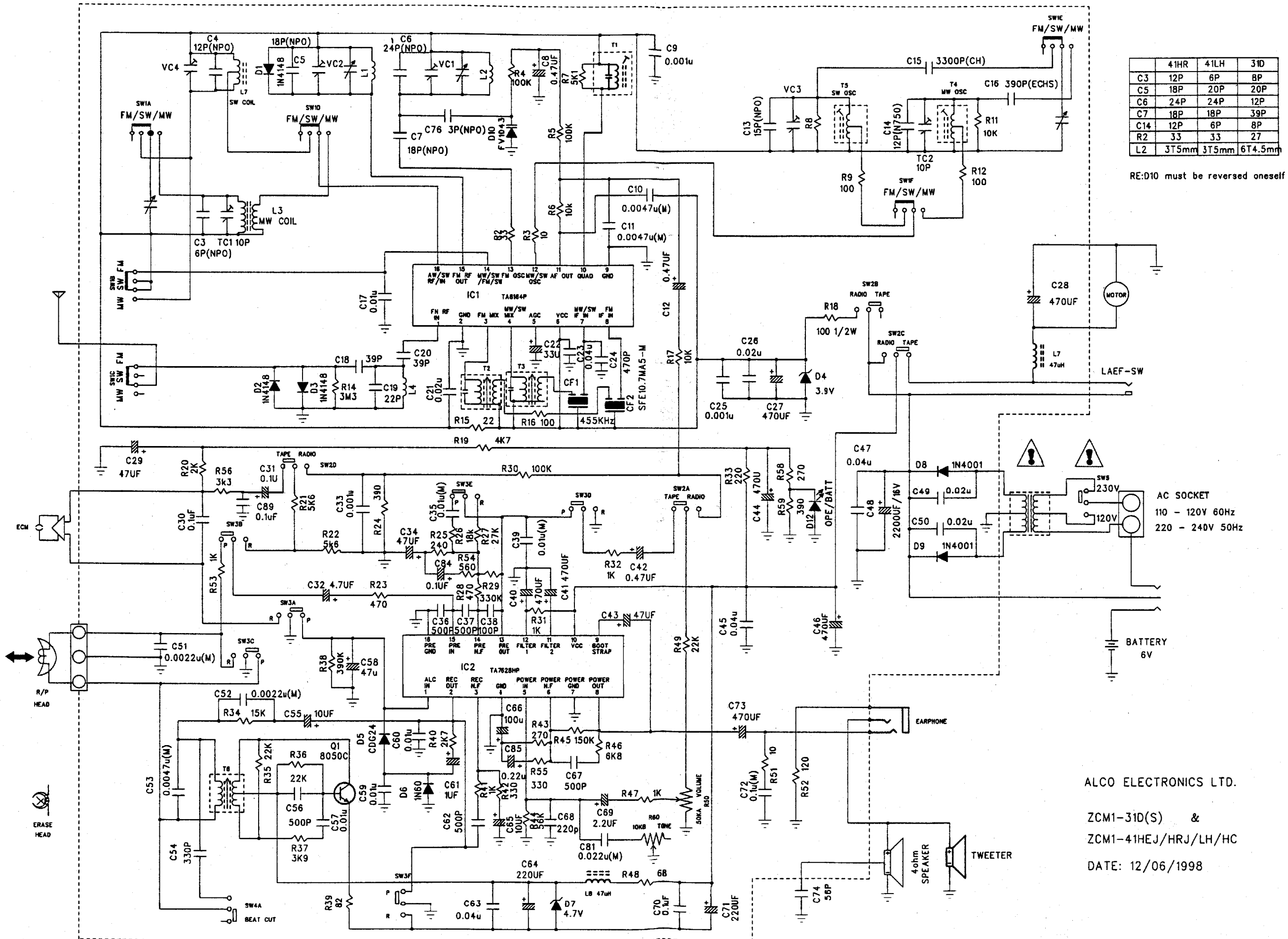


ALCO ELECTRONICS LTD.

ZCM1-39EZ

DATE: 12/06/1998

SCHEMATIC DIAGRAM - 2 (MAIN : HR)



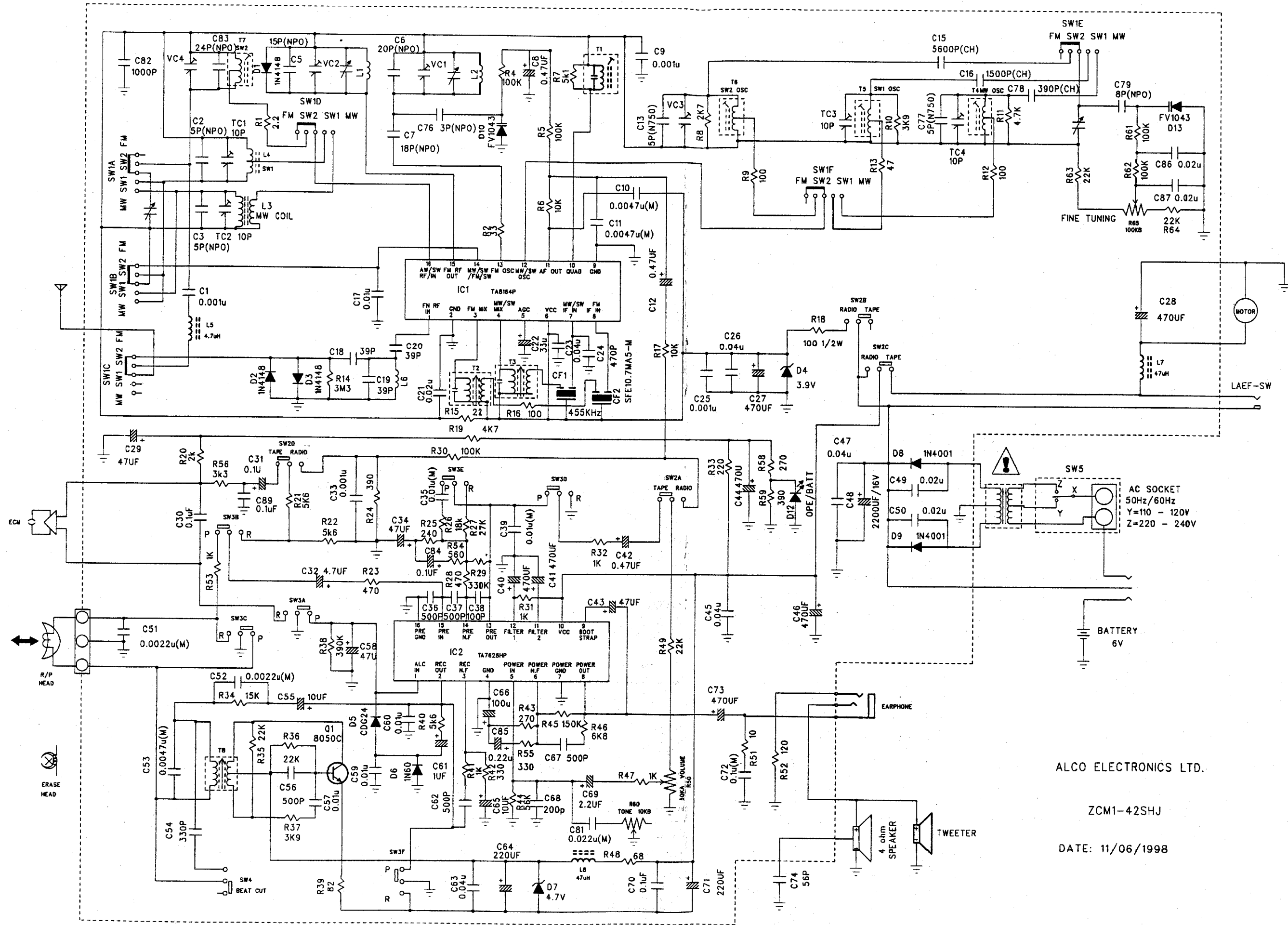
	41HR	41LH	31D
C3	12P	6P	8P
C5	18P	20P	20P
C6	24P	24P	12P
C7	18P	18P	39P
C14	12P	6P	8P
R2	33	33	27
L2	3T5mm	3T5mm	6T4.5mm

RE:D10 must be reversed oneself in Ver.D

AC SOCKET
110 - 120V 60Hz
220 - 240V 50Hz

ALCO ELECTRONICS LTD.
ZCM1-31D(S) &
ZCM1-41HEJ/HRJ/LH/HC
DATE: 12/06/1998

SCHEMATIC DIAGRAM - 3 (MAIN : SH)



ALCO ELECTRONICS LTD.

ZCM1-42SHJ

DATE: 11/06/1998

サービス技術ニュース	
番号	連絡内容
G- -	
G- -	
G- -	

アイワ株式会社
AIWA CO.,LTD.

9301978

Tokyo Japan

〒110-8710 東京都台東区池之端1-2-11 ☎03(3827)3111 (代表)

Printed in Singapore