

SERVICE MANUAL

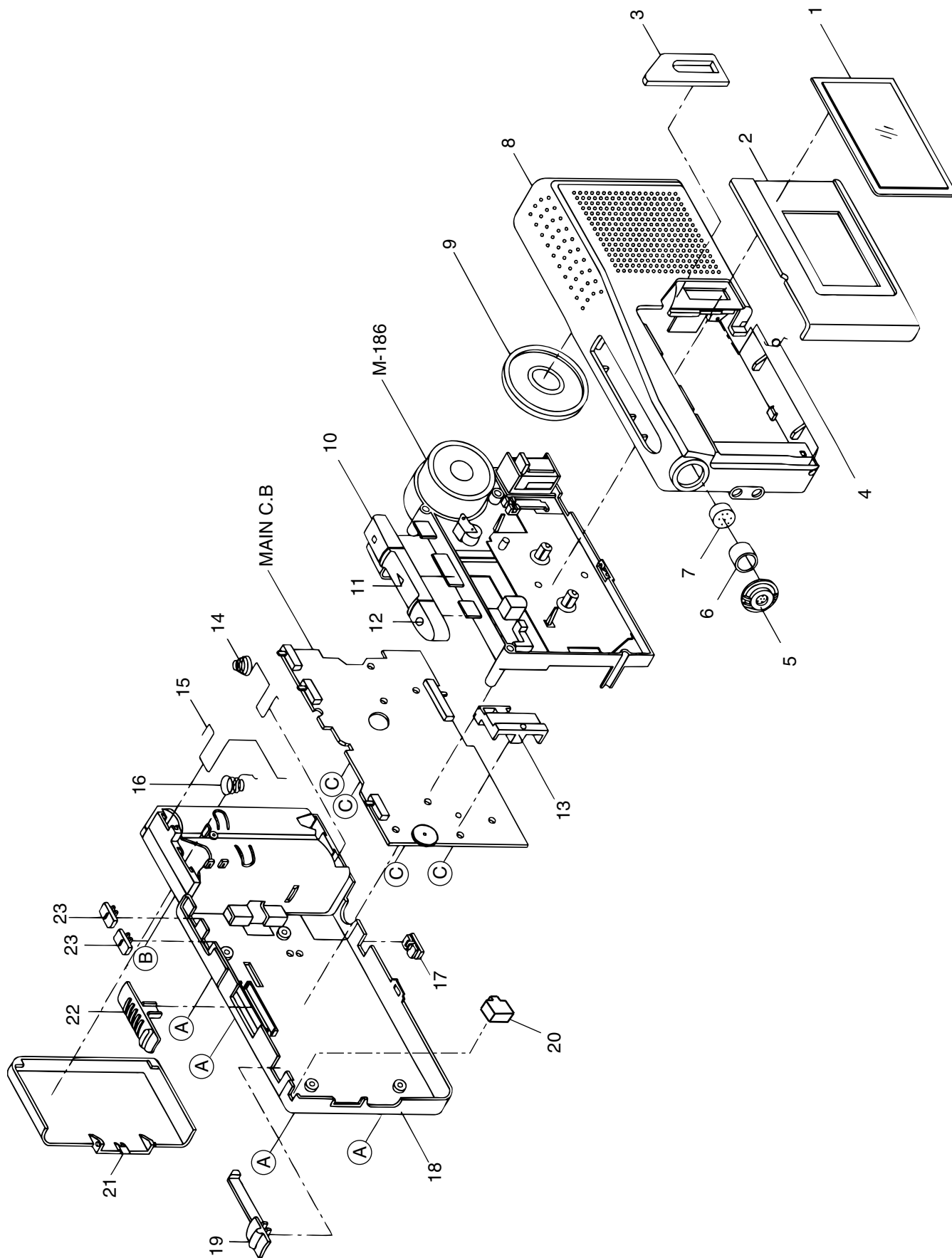
MICROCASSETTE RECORDER

BASIC TAPE MECHANISM : M-186

This Service Manual contains information about the difference between TP-M130/M330 Y YU.

If requiring the other information, see Service Manual of the TP-M130/M330 Y YU (S/M Code No. 09-995-329-4N1).

MECHANICAL EXPLODED VIEW 1/1



MECHANICAL MAIN PARTS LIST 1/1

DESCRIPTIONで判断できない物は "REFERENCE NAME LIST" を参照してください。
 If can't understand for Description please kindly refer to "REFERENCE NAME LIST".

REF. NO	PART NO.	KANRI NO.	DESCRIPTION	REF. NO	PART NO.	KANRI NO.	DESCRIPTION
1	SZ-HX5-040-100		WINDOW CASS	16	S6-HX5-250-000		SPR,BAT(-)
2	SZ-HX5-030-100		DOOR,CASS	17	SZ-HX5-150-000		KNOB,SLIDE 1.2/2.4
3	SZ-HX7-030-500		LENS,COUNTER	18	SZ-HX7-020-100		CAB,REAR
4	SZ-HX5-190-000		CASS SPR-C	19	SZ-HX5-110-000		KNOB,SLIDE PAUSE
5	SZ-HX5-060-010		COVER MIC	20	SZ-HX5-160-000		LENS,LED
6	S6-HX5-210-000		CUSHION MIC	21	SZ-HX5-050-010		LID,BATT
7	S1-035-230-000		MIC,CONDENSER MIC	22	SZ-HX5-120-000		KNOB,SLIDE F.F./REW
8	SZ-HX5-010-300		CAB,FRONT	23	SZ-HX5-130-000		KNOB,SLIDE V-SENSOR
9	S1-440-004-210		SPKR,1.4' (36mm) 4 OHM 0.4W	A	87-261-043-410		SCREW,2-20
10	SZ-HX5-100-020		KNOB,CASS STOP GRY	B	87-751-035-410		SCREW,ST2-6
11	SZ-HX5-090-020		KNOB,CASS PLAY	C	87-261-533-310		SCREW ST1.7-6
12	SZ-HX5-080-200		KNOB,CASS REC				
13	SZ-HX5-070-000		HOLDER JACK				
14	S6-HX5-230-000		SPR,BAT(+/-)				
15	S6-HX5-240-000		SPR,BAT(+)				

ALTERATION LIST

ELECTRICAL PARTS LIST 1/1

REF. NO	PART NO.	KANRI NO.	DESCRIPTION
IC			
	85-TM5-604-010		IC,LA4165M

ACCESSORIES LIST

REF. NO	PART NO.	KANRI NO.	DESCRIPTION
1	SZ-HX7-910-700		INSTRUCTION BOOK

