

aiwa



TP-S5 TP-VS530

CASSETTE RECORDER

• BASIC TAPE MECHANISM:TN-9XR-107

• TYPE: D(S5)
YUBSC,YSC(530)

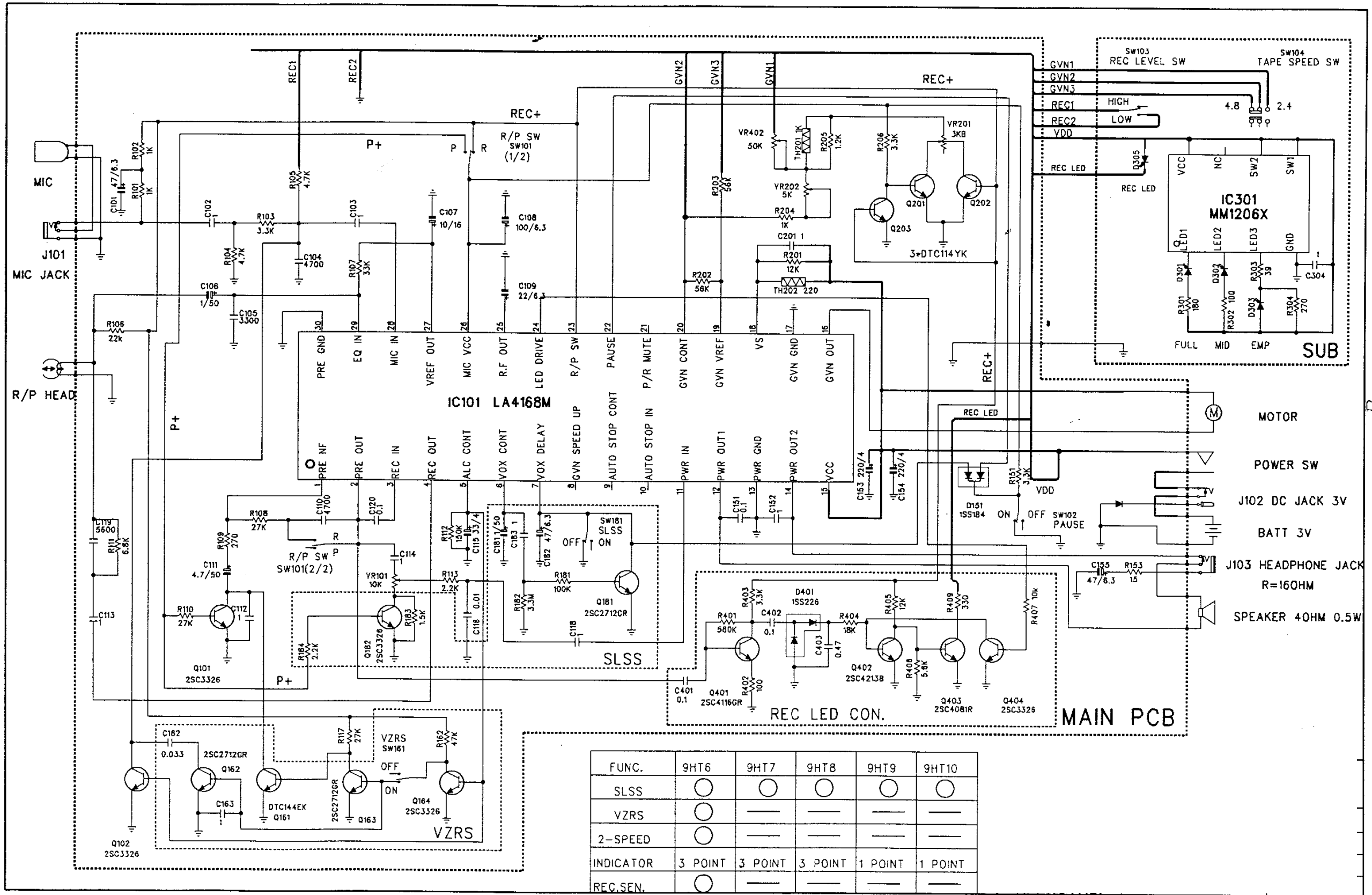
MODEL CODE:8ZHT7-0137(S)

SIMPLE MANUAL

• Replace this Service Manual with "Revision Publishing" when it is issued.

S/M Code No. 09-992-326-40A

MANUAL
SERVICE



P.

J102 DC JACK 3V
BATT 3V
J103 HEADPHONE JACK
R=16OHM
SPEAKER 40HM 0.5W

ELECTRICAL MAIN PARTS LIST - 1 (TP-S5)

NOTE: The characters in the suffix column indicate the part usage.

REF.NO	PARTS NO.	NO.	DESCRIPTION	SUFFIX
SOO	A.....
		KANRI		
*	87-A91-158-010		SPKR,DIA 50 4OHM 1.0W	A.....
C	105 87-010-184-080	0E	CHIP CAPACITOR 3300P(K)	A.....
C	104 87-010-186-080	0E	CAP,CHIP 4700P	A.....
C	109 87-015-674-010	0E	CAP 22U-6.3V	A.....
C	101 87-015-676-010	0E	CAP,E 47-6.3 7L	A.....
C	108 87-015-677-010	0E	ELECTROLYTIC CAPACITOR, 100U 6	A.....
C	107 87-015-681-010	0E	ELECTROLYTIC CAPACITOR, SRA16V	A.....
C	106 87-015-695-010	0E	CAP,E 1-50 7L	A.....
C	103 87-016-462-080	0E	C-CAP,S 1-16 F	A.....
C	102 87-016-462-080	0E	C-CAP,S 1-16 F	A.....
C	110 87-010-186-080	0E	CAP,CHIP 4700P	A.....
C	119 87-010-187-080	0E	CAP CHIP S5600P	A.....
C	116 87-010-197-080	0E	CAP, CHIP 0.01 DM	A.....
C	115 87-015-675-010	0E	ELECTROLYTIC CAPACITOR, 6.3V-3	A.....
C	111 87-015-698-010	0E	ELECTROLYTIC SRA 50V-4.7U	A.....
C	114 87-016-462-080	0E	C-CAP,S 1-16 F	A.....
C	113 87-016-462-080	0E	C-CAP,S 1-16 F	A.....
C	118 87-016-462-080	0E	C-CAP,S 1-16 F	A.....
C	155 87-015-676-010	0E	CAP,E 47-6.3 7L	A.....
C	153 87-015-908-010	0E	CAP, 220-4V	A.....
C	154 87-015-908-010	0E	CAP, 220-4V	A.....
C	152 87-016-462-080	0E	C-CAP,S 1-16 F	A.....
C	151 87-A10-264-080	0E	C-CAP,S 0.1-16ZF	A.....
C	182 87-015-676-010	0E	CAP,E 47-6.3 7L	A.....
C	181 87-015-695-010	0E	CAP,E 1-50 7L	A.....
C	183 87-016-462-080	0E	C-CAP,S 1-16 F	A.....
C	201 87-016-462-080	0E	C-CAP,S 1-16 F	A.....
C	403 87-016-491-080	0E	C-CAP,S 0.22-16 FZ	A.....
C	402 87-A10-264-080	0E	C-CAP,S 0.1-16ZF	A.....
C	401 87-A10-264-080	0E	C-CAP,S 0.1-16ZF	A.....
D	101 87-A40-529-010	1A	DIODE,1GWJ42	A.....
J	101 84-TM1-630-010	1A	JACK,3.5 HSJ1493-05	A.....
J	103 84-TM1-630-010	1A	JACK,3.5 HSJ1493-05	A.....
J	102 87-A60-319-010	0E	JACK,DC DIA 2.75	A.....
SFR	202 87-A90-527-010		SFR,5K H VZ066L3	A.....
SW	102 87-031-816-010	1A	SLIDE SWITCH	A.....
SW	101 87-A90-305-010		SW,SL 2-2-2 (NC)	A.....
SW	181 87-031-816-010	1A	SLIDE SWITCH	A.....
TH	202 87-A90-307-080		C-THMS,K39G220	A.....
VR	101 87-A90-314-010		VR,RTRY 10K H	A.....
VR	201 87-A90-308-010		VR,RTRY 3KB XV81	A.....
C	301 87-016-462-080	0E	C-CAP,S 1-16 F	A.....
C	303 87-016-462-080	0E	C-CAP,S 1-16 F	A.....
C	302 87-016-462-080	0E	C-CAP,S 1-16 F	A.....
C	304 87-016-462-080	0E	C-CAP,S 1-16 F	A.....
*	82-TP3-609-010	1C	ECM	A.....
D	151 87-020-027-080	0E	CHIP-DIODE 1SS184	A.....
D	305 87-017-827-070	0E	C-LED,SEC 1201C RED	A.....
D	304 87-017-827-070	0E	C-LED,SEC 1201C RED	A.....
D	301 87-017-828-070	0E	C-LED,SEL 1401C GRN	A.....
D	302 87-017-829-070	0E	C-LED,SEC 1901C ORN	A.....
D	401 87-020-339-080	0E	CHIP DIODE,1SS226	A.....
IC	101 87-A20-399-010	1F	IC,LA4168M	A.....
IC	301 87-017-643-080	1B	IC,MM1206XF	A.....
Q	102 89-333-266-080	0E	CHIP TR,2SC3326B	A.....
Q	181 89-327-125-080	0E	CHIP TR,2SC2712GR	A.....
Q	182 89-333-266-080	0E	CHIP TR,2SC3326B	A.....
Q	202 87-A30-288-040	0E	C-TR,DTC114YKA	A.....

ELECTRICAL MAIN PARTS LIST - 2 (TP-S5)

Q	203	87-A30-288-040	0E	C-TR,DTC114YKA	A.....
Q	201	87-A30-288-040	0E	C-TR,DTC114YKA	A.....
Q	404	87-026-422-080	0E	C-TR,RN2304	A.....
Q	403	87-A30-144-080	0E	C-TR,2SC4081	A.....
Q	401	89-341-165-080	0E	CHIP TRANSISTOR 2SC4116GR	A.....
Q	402	89-342-132-080	0E	TR,2SC4213	A.....
TH	201	87-A90-855-080	0E	C-THMS,SC20-3K102K	A.....

ELECTRICAL MAIN PARTS LIST - 3 (TP-VS530)

NOTE: The characters in the suffix column indicate the part usage.

UBSCXX.....A.....
 SCXX.....B.....

REF.NO	PARTS NO.	KANRI NO.	DESCRIPTION	SUFFIX
*	87-A91-158-010		SPKR,DIA 50 4OHM 1.0W	AB.....
C 105	87-010-184-080	0E	CHIP CAPACITOR 3300P(K)	AB.....
C 104	87-010-186-080	0E	CAP,CHIP 4700P	AB.....
C 109	87-015-674-010	0E	CAP 22U-6.3V	AB.....
C 101	87-015-676-010	0E	CAP,E 47-6.3 7L	AB.....
C 108	87-015-677-010	0E	ELECTROLYTIC CAPACITOR, 100U 6	AB.....
C 107	87-015-681-010	0E	ELECTROLYTIC CAPACITOR, SRA16V	AB.....
C 106	87-015-695-010	0E	CAP,E 1-50 7L	AB.....
C 103	87-016-462-080	0E	C-CAP,S 1-16 F	AB.....
C 102	87-016-462-080	0E	C-CAP,S 1-16 F	AB.....
C 110	87-010-186-080	0E	CAP,CHIP 4700P	AB.....
C 119	87-010-187-080	0E	CAP CHIP S5600P	AB.....
C 116	87-010-197-080	0E	CAP, CHIP 0.01 DM	AB.....
C 115	87-015-675-010	0E	ELECTROLYTIC CAPACITOR, 6.3V-3	AB.....
C 111	87-015-698-010	0E	ELECTROLYTIC SRA 50V-4.7U	AB.....
C 113	87-016-462-080	0E	C-CAP,S 1-16 F	AB.....
C 114	87-016-462-080	0E	C-CAP,S 1-16 F	AB.....
C 118	87-016-462-080	0E	C-CAP,S 1-16 F	AB.....
C 155	87-015-676-010	0E	CAP,E 47-6.3 7L	AB.....
C 153	87-015-908-010	0E	CAP, 220-4V	AB.....
C 154	87-015-908-010	0E	CAP, 220-4V	AB.....
C 152	87-016-462-080	0E	C-CAP,S 1-16 F	AB.....
C 151	87-A10-264-080	0E	C-CAP,S 0.1-16ZF	AB.....
C 182	87-015-676-010	0E	CAP,E 47-6.3 7L	AB.....
C 181	87-015-695-010	0E	CAP,E 1-50 7L	AB.....
C 183	87-016-462-080	0E	C-CAP,S 1-16 F	AB.....
C 201	87-016-462-080	0E	C-CAP,S 1-16 F	AB.....
C 403	87-016-491-080	0E	C-CAP,S 0.22-16 FZ	AB.....
C 402	87-A10-264-080	0E	C-CAP,S 0.1-16ZF	AB.....
C 401	87-A10-264-080	0E	C-CAP,S 0.1-16ZF	AB.....
D 101	87-A40-529-010	1A	DIODE,1GWJ42	AB.....
J 103	84-TM1-630-010	1A	JACK,3.5 HSJ1493-05	AB.....
J 101	84-TM1-630-010	1A	JACK,3.5 HSJ1493-05	AB.....
J 102	87-A60-849-010	0E	JACK,DC DIA 2.75 BLK	AB.....
SFR 202	87-A90-527-010		SFR,5K H VZ066L3	AB.....
SW 102	87-031-816-010	1A	SLIDE SWITCH	AB.....
SW 101	87-A90-305-010		SW,SL 2-2-2 (NC)	AB.....
SW 181	87-031-816-010	1A	SLIDE SWITCH	AB.....
TH 202	87-A90-307-080		C-THMS,K39G220	AB.....
VR 101	87-A90-314-010		VR,RTRY 10K H	AB.....
VR 201	87-A90-308-010		VR,RTRY 3KB XV81	AB.....
*	82-TP3-609-010	1C	ECM	AB.....
D 151	87-020-027-080	0E	CHIP-DIODE 1SS184	AB.....
D 304	87-017-827-070	0E	C-LED,SEC 1201C RED	AB.....
D 401	87-020-339-080	0E	CHIP DIODE,1SS226	AB.....
D 402	88-HC6-612-080		C-DIODE,RB411D	AB.....
IC 101	87-A20-399-010	1F	IC,LA4168M	AB.....
Q 102	89-333-266-080	0E	CHIP TR,2SC3326B	AB.....
Q 181	89-327-125-080	0E	CHIP TR,2SC2712GR	AB.....
Q 182	89-333-266-080	0E	CHIP TR,2SC3326B	AB.....
Q 203	87-A30-288-040	0E	C-TR,DTC114YKA	AB.....
Q 202	87-A30-288-040	0E	C-TR,DTC114YKA	AB.....
Q 201	87-A30-288-040	0E	C-TR,DTC114YKA	AB.....
Q 403	87-A30-144-080		C-TR,2SC4081	AB.....
Q 404	89-333-266-080	0E	CHIP TR,2SC3326B	AB.....
Q 401	89-341-165-080	0E	CHIP TRANSISTOR 2SC4116GR	AB.....
Q 402	89-342-132-080	0E	TR,2SC4213	AB.....

ELECTRICAL MAIN PARTS LIST - 4 (TP-VS530)

TH 201 87-A90-855-080 0E C-THMS,SC20-3K102K

AB.....

MECHANICAL PARTS LIST - 1 (TP-S5)

NOTE: The characters in the suffix column indicate the part usage.

SOO.....A.....

KANRI

REF.NO	PARTS NO.	NO.	DESCRIPTION	SUFFIX
	8Z-HT7-001-010		LID, CASS	A.....
	8Z-HT7-002-010		FRAME, CENTER	A.....
	8Z-HT7-003-010		CABI, REAR	A.....
	8Z-HT7-004-010		GRILLE, MIC	A.....
	8Z-HT7-005-010		PANEL, MIC	A.....
	8Z-HT7-006-010		WINDOW, CASS	A.....
	8Z-HT7-007-010		LID, BATT	A.....
	8Z-HT7-010-010		GRILLE, SPEAKER	A.....
	8Z-HT7-012-010		FOOT, RUBBER	A.....
	8Z-HT6-010-010		BTN, PLAY	A.....
	8Z-HT6-011-010		BTN, REC	A.....
	8Z-HT6-012-010		BTN, FF	A.....
	8Z-HT6-013-010		BTN, REW	A.....
	8Z-HT6-014-010		BTN, STOP	A.....
	8Z-HT7-008-010		KNOB, SL PAUSE	A.....
	8Z-HT7-009-010		KNOB, SL SLSS	A.....
	87-067-271-010	0E	SCREW VFT2+1.7-4	A.....
	87-067-769-010	0E	VT2+1.7-8(3) BLK	A.....
	87-264-521-310		V+1.7-1.6 CR	A.....
	87-351-508-310		VT2+1.4-3.5 BLK	A.....
	87-354-529-310	0E	VT2+1.7-4	A.....
	87-B10-234-010		QT2+1.4-3 BLK	A.....
	87-HT8-211-010		VT2+2-18 S-SCREW BLK	A.....
	87-040-196-010	1H	COUNTER	A.....
	87-HT8-202-010		HLDR, COUNTER	A.....
	87-HT8-203-010		SPR-P, CASS	A.....
	87-HT8-204-010		LEVER, REC ACTUATOR	A.....
	87-HT8-205-010		LEVER, REC SAFETY	A.....
	87-HT8-208-010		SPR-T, LID CASS	A.....
	87-HT8-209-010		SPR-E, REC SAFETY	A.....
	87-HT8-210-010		BELT, COUNTER	A.....
	8Z-HT7-201-010		HLDR, MIC	A.....
	8Z-HT7-202-010		COVER, SPEAKER	A.....
	8Z-HT7-203-010		LEVER, PAUSE	A.....
	8Z-HT7-204-010		COVER, MIC	A.....
	8Z-HT7-205-010		BAT-CONTACT, (+)	A.....
	8Z-HT7-206-010		BAT-CONTACT, (-)	A.....

MECHANICAL PARTS LIST - 2 (TP-VS530)

NOTE: The characters in the suffix column indicate the part usage.

UBSCXX.....A.....
 SCXX.....B.....

KANRI

REF.NO	PARTS NO.	NO.	DESCRIPTION	SUFFIX
	8Z-HT7-004-010		GRILLE, MIC	AB.....
	8Z-HT7-005-010		PANEL, MIC	AB.....
	8Z-HT7-007-010		LID, BATT	AB.....
	8Z-HT7-010-010		GRILLE, SPEAKER	AB.....
	8Z-HT7-012-010		FOOT, RUBBER	AB.....
	8Z-HT9-001-010		LID, CASS	AB.....
	8Z-HT9-002-010		FRAME, CENTER	AB.....
	8Z-HT9-003-010		CABI, REAR	AB.....
	8Z-HT9-007-010		WINDOW, CASS	AB.....
	8Z-HT6-010-010		BTN, PLAY	AB.....
	8Z-HT6-011-010		BTN, REC	AB.....
	8Z-HT6-012-010		BTN, FF	AB.....
	8Z-HT6-013-010		BTN, REW	AB.....
	8Z-HT6-014-010		BTN, STOP	AB.....
	8Z-HT7-008-010		KNOB, SL PAUSE	AB.....
	8Z-HT7-009-010		KNOB, SL SLSS	AB.....
	87-067-271-010	0E	SCREW VFT2+1.7-4	AB.....
	87-067-769-010	0E	VT2+1.7-8(3) BLK	AB.....
	87-264-521-310		V+1.7-1.6 CR	AB.....
	87-351-508-310		VT2+1.4-3.5 BLK	AB.....
	87-354-529-310	0E	VT2+1.7-4	AB.....
	87-B10-234-010		QT2+1.4-3 BLK	AB.....
	87-HT8-211-010		VT2+2-18 S-SCREW BLK	AB.....
	87-040-196-010	1H	COUNTER	AB.....
	87-HT8-202-010		HLDR, COUNTER	AB.....
	87-HT8-203-010		SPR-P, CASS	AB.....
	87-HT8-204-010		LEVER, REC ACTUATOR	AB.....
	87-HT8-205-010		LEVER, REC SAFETY	AB.....
	87-HT8-208-010		SPR-T, LID CASS	AB.....
	87-HT8-209-010		SPR-E, REC SAFETY	AB.....
	87-HT8-210-010		BELT, COUNTER	AB.....
	8Z-HT7-201-010		HLDR, MIC	AB.....
	8Z-HT7-202-010		COVER, SPEAKER	AB.....
	8Z-HT7-203-010		LEVER, PAUSE	AB.....
	8Z-HT7-204-010		COVER, MIC	AB.....
	8Z-HT7-205-010		BAT-CONTACT, (+)	AB.....
	8Z-HT7-206-010		BAT-CONTACT, (-)	AB.....

ACCESSORIES LIST - 1 (TP-S5)

NOTE: The characters in the suffix column indicate the part usage.

S		OO.....		A.....	
		KANRI			
REF.NO	PARTS NO.	NO.	DESCRIPTION	SUFFIX	
	8Z-HT7-851-010		COVER,SLIDE S	A.....	
	8Z-HT7-901-010		IB,D	A.....	
	87-042-186-110	2M	RB-105 D	A.....	
	87-047-153-110	1C	BAT,NB-3A PH	A.....	
	87-PD3-050-010	1B	STRAP,HAND	A.....	

ACCESSORIES LIST - 1 (TP-VS530)

NOTE: The characters in the suffix column indicate the part usage.

UBSCXX.....A.....
 SCXX.....B.....

KANRI

REF.NO	PARTS NO.	NO.	DESCRIPTION	SUFFIX
	8Z-HT9-903-010	IB, YU (3L) C		A.....
	8Z-HT9-904-010	IB, YHJ (ECC) C	
	8Z-HT9-906-010	IB, YL (3L) C	
	8Z-HT9-907-010	IB, EZ (EGF) C		.B.....
	8Z-HT9-908-010	IB, EZ (SID) C		.B.....
	8Z-HT9-909-010	IB, EZ (PHNCZ) C		.B.....
	87-PD3-050-010	STRAP, HAND		AB.....

サービス技術ニュース	
番号	連絡内容
G- -	
G- -	
G- -	

アイワ株式会社
AIWA CO.,LTD.

737004

Tokyo Japan