

aiwa



TP-VS480 TP-VS610

CASSETTE RECORDER

• BASIC TAPE MECHANISM: TN-9XR-107

• TYPE: YUB, YB, YLB(480)
YUBS, YS(610)

SIMPLE MANUAL

• Replace this Service Manual with "Revision Publishing" when it is issued.

S/M Code No. 09-991-315-20A

MANUAL
SERVICE

ELECTRICAL MAIN PARTS LIST - 1 (480)

NOTE: The characters in the suffix column indicate the part usage.

YUBBXX.....A.....
 YBXX.....B.....
 YLBXX.....C.....

KANRI

REF.NO	PARTS NO.	NO.	DESCRIPTION	SUFFIX
*	87-A91-158-010		SPKR,DIA 50 4OHM 1.0W	ABC.....
C	105 87-010-184-080		CHIP CAPACITOR 3300P(K)	ABC.....
C	104 87-010-186-080		CAP,CHIP 4700P	ABC.....
C	109 87-015-674-010		CAP 22U-6.3V	ABC.....
C	101 87-015-676-010		CAP,E 47-6.3 7L	ABC.....
C	108 87-015-677-010		ELECTROLYTIC CAPACITOR, 100U 6	ABC.....
C	107 87-015-681-010		ELECTROLYTIC CAPACITOR, SRA16V	ABC.....
C	106 87-015-695-010		CAP,E 1-50 7L	ABC.....
C	103 87-016-462-080		C-CAP,S 1-16 F	ABC.....
C	102 87-016-462-080		C-CAP,S 1-16 F	ABC.....
C	110 87-010-186-080		CAP,CHIP 4700P	ABC.....
C	119 87-010-187-080		CAP CHIP S5600P	ABC.....
C	116 87-010-197-080		CAP, CHIP 0.01 DM	ABC.....
C	115 87-015-675-010		ELECTROLYTIC CAPACITOR, 6.3V-3	ABC.....
C	111 87-015-698-010		ELECTROLYTIC SRA 50V-4.7U	ABC.....
C	118 87-016-462-080		C-CAP,S 1-16 F	ABC.....
C	113 87-016-462-080		C-CAP,S 1-16 F	ABC.....
C	114 87-016-462-080		C-CAP,S 1-16 F	ABC.....
C	155 87-015-676-010		CAP,E 47-6.3 7L	ABC.....
C	153 87-015-908-010		CAP, 220-4V	ABC.....
C	154 87-015-908-010		CAP, 220-4V	ABC.....
C	152 87-016-462-080		C-CAP,S 1-16 F	ABC.....
C	151 87-A10-264-080		C-CAP,S 0.1-16ZF	ABC.....
C	182 87-015-676-010		CAP,E 47-6.3 7L	ABC.....
C	181 87-015-695-010		CAP,E 1-50 7L	ABC.....
C	183 87-016-462-080		C-CAP,S 1-16 F	ABC.....
C	201 87-016-462-080		C-CAP,S 1-16 F	ABC.....
C	403 87-016-491-080		C-CAP,S 0.22-16 FZ	ABC.....
C	401 87-A10-264-080		C-CAP,S 0.1-16ZF	ABC.....
C	402 87-A10-264-080		C-CAP,S 0.1-16ZF	ABC.....
D	101 87-A40-529-010		DIODE,1GWJ42	ABC.....
J	101 84-TM1-630-010		JACK,3.5 HSJ1493-05	ABC.....
J	103 84-TM1-630-010		JACK,3.5 HSJ1493-05	ABC.....
J	102 87-A60-849-010		JACK,DC DIA 2.75 BLK	ABC.....
SFR	202 87-A90-527-010		SFR,5K H VZ066L3	ABC.....
SW	102 87-031-816-010		SLIDE SWITCH	ABC.....
SW	101 87-A90-305-010		SW,SL 2-2-2 (NC)	ABC.....
SW	181 87-031-816-010		SLIDE SWITCH	ABC.....
TH	202 87-A90-307-080		C-THMS,K39G220	ABC.....
VR	101 87-A90-314-010		VR,RTRY 10K H	ABC.....
VR	201 87-A90-308-010		VR,RTRY 3KB XV81	ABC.....
*	82-TP3-609-010		ECM	ABC.....
D	151 87-020-027-080		CHIP-DIODE 1SS184	ABC.....
D	401 87-020-339-080		CHIP DIODE,1SS226	ABC.....
D	402 88-HC6-612-080		C-DIODE,RB411D	ABC.....
IC	1 87-A20-399-010		IC,LA4168M	ABC.....
Q	102 89-333-266-080		CHIP TR,2SC3326B	ABC.....
Q	181 89-327-125-080		CHIP TR,2SC2712GR	ABC.....
Q	182 89-333-266-080		CHIP TR,2SC3326B	ABC.....
Q	203 87-A30-288-040		C-TR,DTC114YKA	ABC.....
Q	202 87-A30-288-040		C-TR,DTC114YKA	ABC.....
Q	201 87-A30-288-040		C-TR,DTC114YKA	ABC.....
Q	403 87-A30-144-080		C-TR,2SC4081	ABC.....
Q	404 89-333-266-080		CHIP TR,2SC3326B	ABC.....
Q	401 89-341-165-080		CHIP TRANSISTOR 2SC4116GR	ABC.....
Q	402 89-342-132-080		TR,2SC4213	ABC.....

ELECTRICAL MAIN PARTS LIST - 2 (480)

TH 201 87-A90-855-080 0E C-THMS,SC20-3K102K

ABC.....

ELECTRICAL MAIN PARTS LIST - 3 (610)

NOTE: The characters in the suffix column indicate the part usage.

YUBSXX.....A.....
 YSCXX.....B.....

REF.NO	PARTS NO.	KANRI NO.	DESCRIPTION	SUFFIX
C	105	87-010-184-080	CHIP CAPACITOR 3300P(K)	AB.....
C	104	87-010-186-080	CAP,CHIP 4700P	AB.....
C	109	87-015-674-010	CAP 22U-6.3V	AB.....
C	101	87-015-676-010	CAP,E 47-6.3 7L	AB.....
C	108	87-015-677-010	ELECTROLYTIC CAPACITOR, 100U 6	AB.....
C	107	87-015-681-010	ELECTROLYTIC CAPACITOR, SRA16V	AB.....
C	106	87-015-695-010	CAP,E 1-50 7L	AB.....
C	103	87-016-462-080	C-CAP,S 1-16 F	AB.....
C	102	87-016-462-080	C-CAP,S 1-16 F	AB.....
C	110	87-010-186-080	CAP,CHIP 4700P	AB.....
C	119	87-010-187-080	CAP CHIP S5600P	AB.....
C	116	87-010-197-080	CAP, CHIP 0.01 DM	AB.....
C	115	87-015-675-010	ELECTROLYTIC CAPACITOR, 6.3V-3	AB.....
C	111	87-015-698-010	ELECTROLYTIC SRA 50V-4.7U	AB.....
C	113	87-016-462-080	C-CAP,S 1-16 F	AB.....
C	114	87-016-462-080	C-CAP,S 1-16 F	AB.....
C	112	87-016-462-080	C-CAP,S 1-16 F	AB.....
C	118	87-016-462-080	C-CAP,S 1-16 F	AB.....
C	155	87-015-676-010	CAP,E 47-6.3 7L	AB.....
C	153	87-015-908-010	CAP, 220-4V	AB.....
C	154	87-015-908-010	CAP, 220-4V	AB.....
C	152	87-016-462-080	C-CAP,S 1-16 F	AB.....
C	151	87-A10-264-080	C-CAP,S 0.1-16ZF	AB.....
C	162	87-010-193-080	CHIP CAPACITOR,0.033	AB.....
C	163	87-016-462-080	C-CAP,S 1-16 F	AB.....
C	182	87-015-676-010	CAP,E 47-6.3 7L	AB.....
C	181	87-015-695-010	CAP,E 1-50 7L	AB.....
C	183	87-016-462-080	C-CAP,S 1-16 F	AB.....
C	201	87-016-462-080	C-CAP,S 1-16 F	AB.....
C	403	87-016-461-080	C-CAP,S 0.47-16F	A.....
C	403	87-016-491-080	C-CAP,S 0.22-16 FZ	.B.....
C	401	87-A10-264-080	C-CAP,S 0.1-16ZF	AB.....
C	402	87-A10-264-080	C-CAP,S 0.1-16ZF	AB.....
D	101	87-A40-529-010	DIODE,1GWJ42	AB.....
J	103	84-TM1-630-010	JACK,3.5 HSJ1493-05	AB.....
J	101	84-TM1-630-010	JACK,3.5 HSJ1493-05	AB.....
J	102	87-A60-319-010	JACK,DC DIA 2.75	AB.....
SFR	202	87-A90-527-010	SFR,5K H VZ066L3	AB.....
SFR	402	87-A90-528-010	SFR,50K H VZ066L3	AB.....
SW	102	87-031-816-010	SLIDE SWITCH	AB.....
SW	101	87-A90-305-010	SW,SL 2-2-2 (NC)	AB.....
SW	161	87-031-816-010	SLIDE SWITCH	AB.....
SW	181	87-031-816-010	SLIDE SWITCH	AB.....
TH	202	87-A90-307-080	C-THMS,K39G220	AB.....
VR	101	87-A90-314-010	VR,RTRY 10K H	AB.....
VR	201	87-A90-308-010	VR,RTRY 3KB XV81	AB.....
C	302	87-016-462-080	C-CAP,S 1-16 F	AB.....
C	304	87-016-462-080	C-CAP,S 1-16 F	AB.....
C	303	87-016-462-080	C-CAP,S 1-16 F	AB.....
C	301	87-016-462-080	C-CAP,S 1-16 F	AB.....
SW	103	87-036-123-080	CHIP SLIDE SWITCH,1-1-2	AB.....
SW	104	87-036-159-080	SWITCH SLIDE 2-2-2	AB.....
		84-TM1-639-010	ECM,KUC3523	A.....
*		82-TP3-609-010	ECM	.B.....
D	151	87-020-027-080	CHIP-DIODE 1SS184	AB.....
D	305	87-017-827-070	C-LED,SEC 1201C RED	AB.....
D	303	87-017-827-070	C-LED,SEC 1201C RED	AB.....

ELECTRICAL MAIN PARTS LIST - 4 (610)

D	301	87-017-828-070	C-LED,SEL 1401C GRN	AB.....
D	302	87-017-829-070	C-LED,SEC 1901C ORN	AB.....
D	401	87-020-339-080	CHIP DIODE,1SS226	AB.....
IC	101	87-A20-399-010	IC,LA4168M	AB.....
IC	301	87-017-643-080	IC,MM1206XF	AB.....
Q	101	89-333-266-080	CHIP TR,2SC3326B	AB.....
Q	102	89-333-266-080	CHIP TR,2SC3326B	AB.....
Q	161	89-327-125-080	CHIP TR,2SC2712GR	AB.....
Q	162	89-327-125-080	CHIP TR,2SC2712GR	AB.....
Q	163	89-327-125-080	CHIP TR,2SC2712GR	AB.....
Q	164	89-333-266-080	CHIP TR,2SC3326B	AB.....
Q	181	89-327-125-080	CHIP TR,2SC2712GR	AB.....
Q	182	89-333-266-080	CHIP TR,2SC3326B	AB.....
Q	203	87-A30-288-040	C-TR,DTC114YKA	AB.....
Q	201	87-A30-288-040	C-TR,DTC114YKA	AB.....
Q	202	87-A30-288-040	C-TR,DTC114YKA	AB.....
Q	404	87-026-422-080	C-TR,RN2304	AB.....
Q	403	87-A30-144-080	C-TR,2SC4081	AB.....
Q	401	89-341-165-080	CHIP TRANSISTOR 2SC4116GR	AB.....
Q	402	89-342-132-080	TR,2SC4213	AB.....
TH	201	87-A90-855-080	C-THMS,SC20-3K102K	AB.....

MECHANICAL PARTS LIST - 1 (480)

NOTE: The characters in the suffix column indicate the part usage.

YUBBXX.....A.....
 YBXX.....B.....
 YLBXX.....C.....

KANRI

REF.NO	PARTS NO.	NO.	DESCRIPTION	SUFFIX
	8Z-HT7-004-010		GRILLE, MIC	ABC.....
	8Z-HT7-005-010		PANEL, MIC	ABC.....
	8Z-HT7-007-010		LID, BATT	ABC.....
	8Z-HT7-010-010		GRILLE, SPEAKER
	8Z-HT7-012-010		FOOT, RUBBER	ABC.....
	8Z-HT9-003-010		CABI, REAR	ABC.....
	8Z-HT9-007-010		WINDOW, CASS
	8Z-HTA-001-010		LID, CASS	ABC.....
	8Z-HTA-002-010		GRILLE, SPEAKER	ABC.....
	8Z-HTA-003-010		FRAME, CENTER	ABC.....
	8Z-HTA-007-010		WINDOW, CASS	ABC.....
	8Z-HTA-008-010		LID, CASS YJ
	8Z-HT6-010-010		BTN, PLAY	ABC.....
	8Z-HT6-011-010		BTN, REC	ABC.....
	8Z-HT6-012-010		BTN, FF	ABC.....
	8Z-HT6-013-010		BTN, REW	ABC.....
	8Z-HT6-014-010		BTN, STOP	ABC.....
	8Z-HT7-008-010		KNOB, SL PAUSE	ABC.....
	8Z-HT7-009-010		KNOB, SL SLSS	ABC.....
	87-067-271-010	0E	SCREW VFT2+1.7-4	ABC.....
	87-067-769-010	0E	VT2+1.7-8(3) BLK	ABC.....
	87-264-521-310		V+1.7-1.6 CR	ABC.....
	87-351-508-310		VT2+1.4-3.5 BLK	ABC.....
	87-B10-234-010		QT2+1.4-3 BLK	ABC.....
	87-HT8-211-010		VT2+2-18 S-SCREW BLK	ABC.....
	87-HT8-203-010		SPR-P, CASS	ABC.....
	87-HT8-204-010		LEVER, REC ACTUATOR	ABC.....
	87-HT8-205-010		LEVER, REC SAFETY	ABC.....
	87-HT8-208-010		SPR-T, LID CASS	ABC.....
	87-HT8-209-010		SPR-E, REC SAFETY	ABC.....
	8Z-HT7-201-010		HLDR, MIC	ABC.....
	8Z-HT7-202-010		COVER, SPEAKER	ABC.....
	8Z-HT7-203-010		LEVER, PAUSE	ABC.....
	8Z-HT7-204-010		COVER, MIC	ABC.....
	8Z-HT7-205-010		BAT-CONTACT, (+)	ABC.....
	8Z-HT7-206-010		BAT-CONTACT, (-)	ABC.....

MECHANICAL PARTS LIST - 2 (610)

NOTE: The characters in the suffix column indicate the part usage.

YUBSXX.....A.....
 YSCXX.....B.....

REF.NO	PARTS NO.	NO.	DESCRIPTION	SUFFIX
		KANRI		
	8Z-HT6-001-010		LID,CASS D
	8Z-HT6-002-010		FRAME,CENTER D
	8Z-HT6-003-010		CABI,REAR D
	8Z-HT6-004-010		GRILLE,MIC D
	8Z-HT6-005-010		PANEL,LID	AB.....
	8Z-HT6-006-010		WINDOW,CASS	AB.....
	8Z-HT6-007-010		LID,BATT	AB.....
	8Z-HT6-008-010		LENS,LED BATT	AB.....
	8Z-HT6-009-010		LENS,LED REC	AB.....
	8Z-HT6-020-010		GRILLE,SPEAKER	AB.....
	8Z-HT6-023-010		LID,CASS Y	AB.....
	8Z-HT6-024-010		FRAME,CENTER Y	AB.....
	8Z-HT6-025-010		CABI,REAR Y	AB.....
	8Z-HT6-028-010		FOOT,RUBBER	AB.....
	8Z-HT6-029-010		GRILLE,MIC Y	AB.....
	8Z-HT6-010-010		BTN,PLAY	AB.....
	8Z-HT6-011-010		BTN,REC	AB.....
	8Z-HT6-012-010		BTN,FF	AB.....
	8Z-HT6-013-010		BTN,REW	AB.....
	8Z-HT6-014-010		BTN,STOP	AB.....
	8Z-HT6-015-010		KNOB,SL MIC SENS	AB.....
	8Z-HT6-016-010		KNOB,RTRY REC MODE	AB.....
	8Z-HT6-017-010		KNOB,SL PAUSE	AB.....
	8Z-HT6-018-010		KNOB,SL SLSS	AB.....
	8Z-HT6-019-010		KNOB,SL VZRS	AB.....
	87-067-271-010		SCREW VFT2+1.7-4	AB.....
	87-067-769-010		VT2+1.7-8(3) BLK	AB.....
	87-264-521-310		V+1.7-1.6 CR	AB.....
	87-351-508-310		VT2+1.4-3.5 BLK	AB.....
	87-354-529-310		VT2+1.7-4	AB.....
	84-HJ9-210-010		SHAFT,BAT	AB.....
	87-040-196-010		COUNTER	AB.....
	87-HT8-202-010		HLDR,COUNTER	AB.....
	87-HT8-203-010		SPR-P,CASS	AB.....
	87-HT8-204-010		LEVER,REC ACTUATOR	AB.....
	87-HT8-205-010		LEVER,REC SAFETY	AB.....
	87-HT8-208-010		SPR-T,LID CASS	AB.....
	87-HT8-209-010		SPR-E,REC SAFETY	AB.....
	87-HT8-210-010		BELT,COUNTER	AB.....
	8Z-HT6-201-010		HLDR,MIC	AB.....
	8Z-HT6-202-010		LEVER,PAUSE	AB.....
	8Z-HT6-203-010		BAT-CONTACT,(+)	AB.....
	8Z-HT6-204-010		BAT-CONTACT,(-)	AB.....
	84-TM1-639-010		ECM,KUC3523	A.....

ACCESSORIES LIST - 1(480)

NOTE: The characters in the suffix column indicate the part usage.

YUBBXX.....A.....
 YBXX.....B.....
 YLBXX.....C.....

¶YØ

REF.NO	PARTS NO.	NO.	DESCRIPTION	SUFFIX
	8Z-HTA-903-010		IB, YU(3L)C	A.....
	8Z-HTA-904-010		IB, YHJ(3L)C
	8Z-HTA-906-010		IB, YL(3L)C	..C.....
	8Z-HTA-907-010		IB, Y(EGF)C	.B.....
	8Z-HTA-908-010		IB, Y(SID)C	.B.....
	8Z-HTA-909-010		IB, Y(PHNCZ)C	.B.....
	87-PD3-050-010	1B	STRAP, HAND	ABC.....

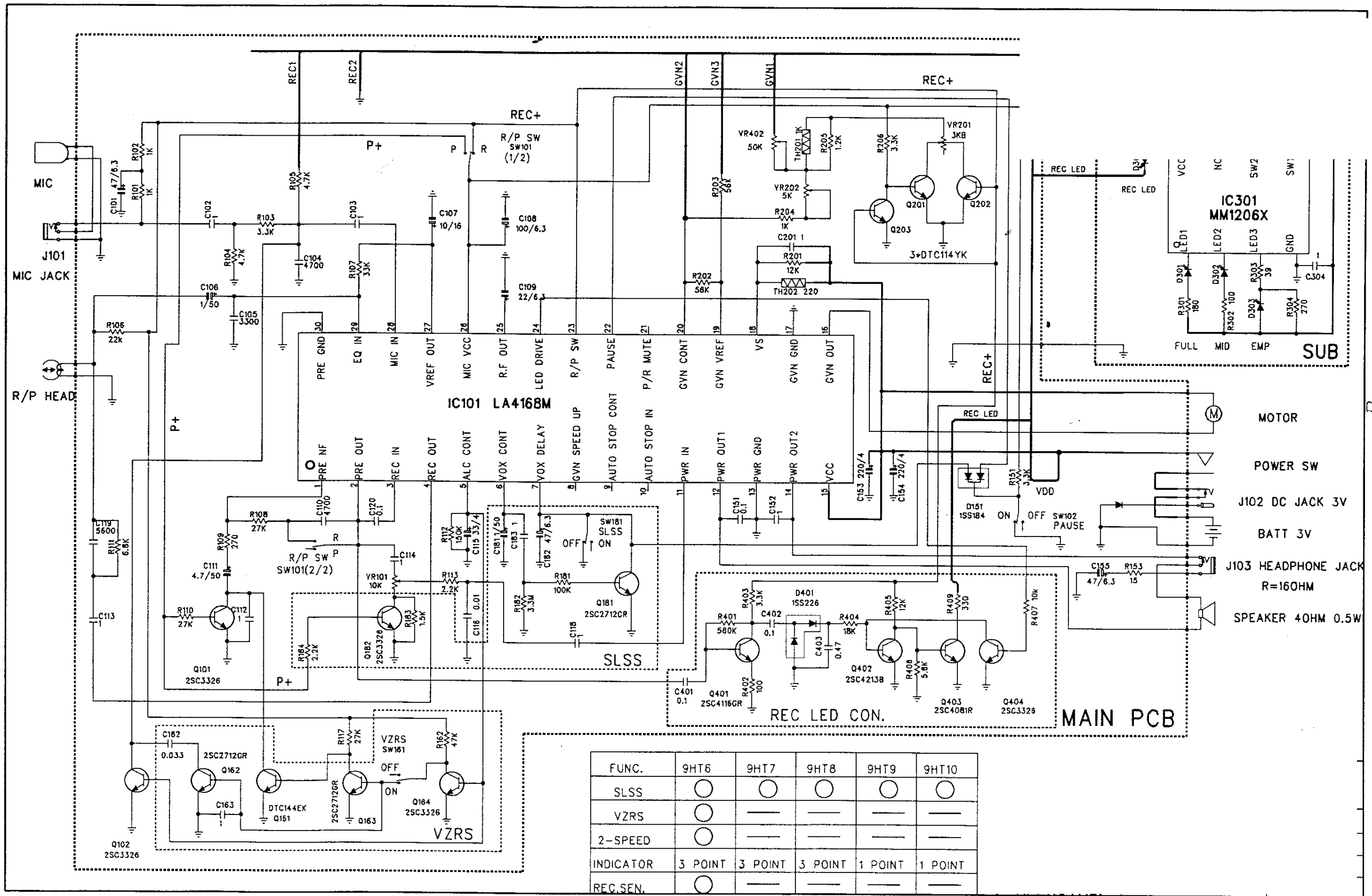
ACCESSORIES LIST - 1(610)

NOTE: The characters in the suffix column indicate the part usage.

YUBSXX.....A.....
 YSCXX.....B.....

KANRI

REF.NO	PARTS NO.	NO.	DESCRIPTION	SUFFIX
	8Z-HT6-901-010	IB,D	
	8Z-HT6-903-010	IB,U(3L)C		A.....
	8Z-HT6-907-010	IB,EZ(EGF)C		.B.....
	8Z-HT6-908-01	STRAP,HAND		AB.....



サービス技術ニュース	
番号	連絡内容
G- -	
G- -	
G- -	

アイワ株式会社
AIWA CO.,LTD.

737004

Tokyo Japan