

aiwa



XP-V30
XP-V31
XP-V32

COMPACT DISC PLAYER

¥ BASIC CD MECHANISM: KSM-620 AAA

¥ TYPE: 30<Y1>,31<AEZ,AHC,AHR,ALH>
32<AEZ>

SUPPLEMENT

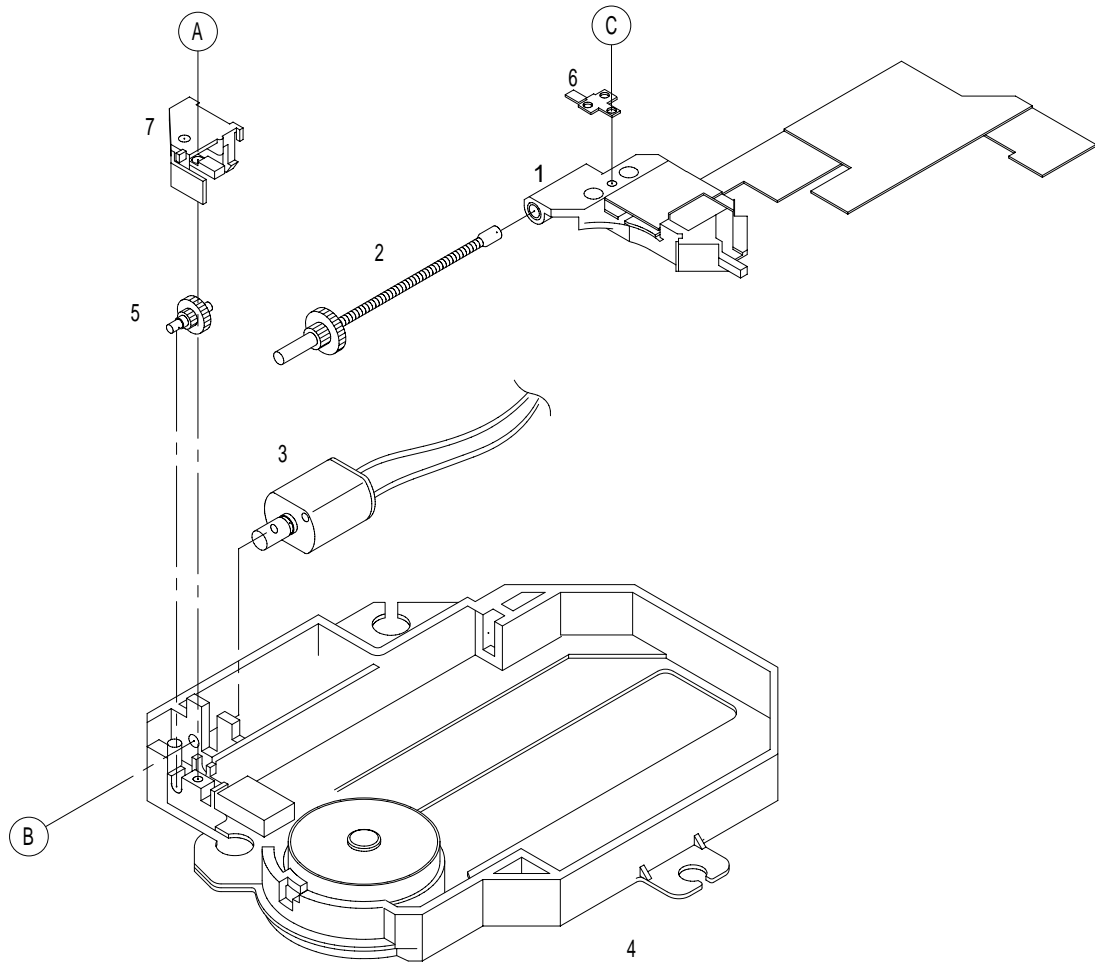
This Service Manual is "Supplement" XP-V30/XP-31/XP-V32.

If requiring the other information, see Service Manual of the XP-V30/XP-31/XP-V32
(TYPE:Y1,AEZ,AHC,AHR,ALH) (S/M Code No. 09-992-402-7R1).

S/M Code No. 09-992-402-7S1

MANUAL
SERVICE

CD MECHANISM EXPLODED VIEW 1/1



CD MECHANISM PARTS LIST 1/1

DESCRIPTIONで判断できない物は "REFERENCE NAME LIST" を参照してください。
If can't understand for Description please kindly refer to "REFERENCE NAME LIST".

REF.NO	PART.NO.	KANRI NO.	DESCRIPTION
1	98-820-063-030	KSS-620A(RP)	
2	9X-264-638-910	SLED SCREW ASSY	
3	9A-491-219-9A0	SLED MOTOR ASSY	
4	9X-264-648-210	MD ASSY	
5	92-627-751-020	GEAR BN	
6	92-646-914-010	LACK SPRING	
7	92-646-913-010	HOLDER	
A	92-646-352-010	TAPPING SCREW B2-8	
B	92-627-668-010	SCREW M2-2.5	
C	92-646-358-110	TAPPING SCREW B1.7-4	

サービス技術ニュース	
番号	連絡内容
G- -	
G- -	
G- -	

アイワ株式会社
AIWA CO.,LTD.

931261

Tokyo Japan