

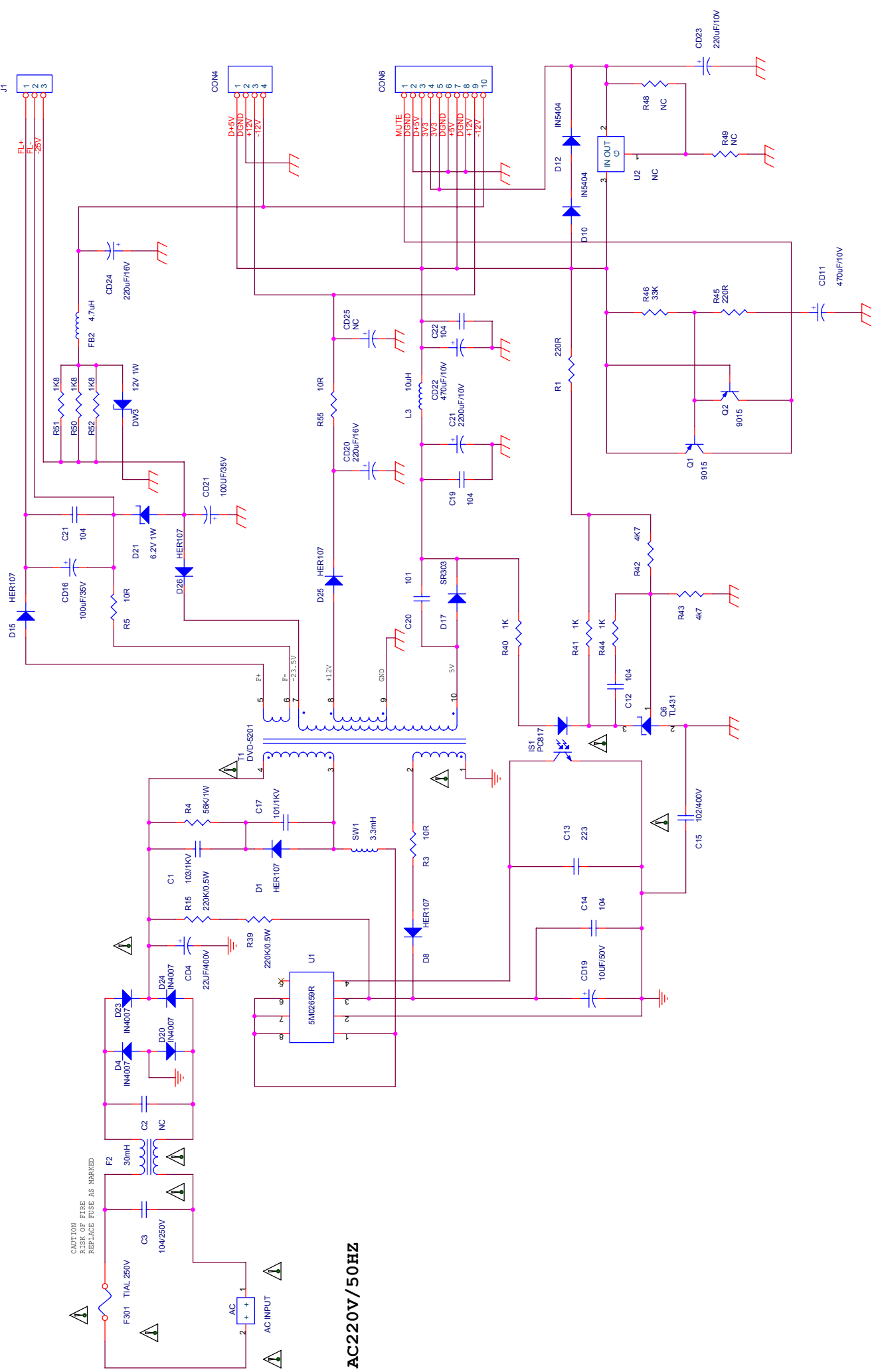


AKAI

DVD PLAYER

Model:
A-4181

SERVICE MANUAL



AC220V/50HZ

CAUTION
RISK OF FIRE
REPLACE FUSE AS MARKED

AKAI DV-P4795KDSM

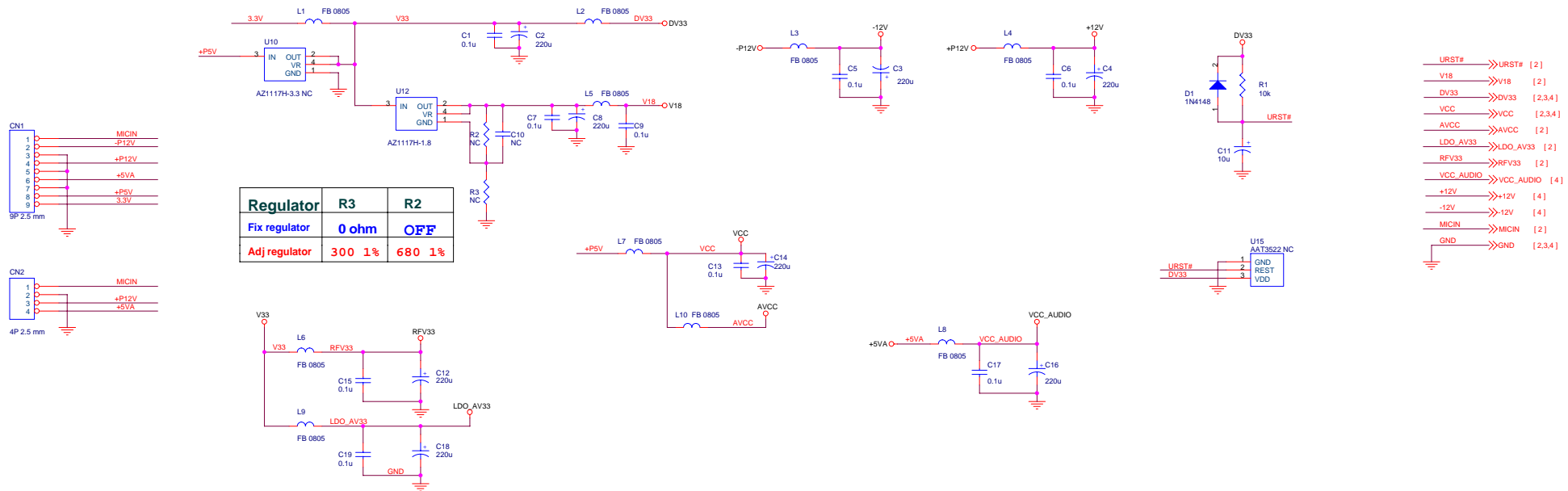
Title	Power Circuit Diagram
Size	A3
Document Number	
Date	Thursday, January 06, 2005
Sheet	1 of 1
Rev	2.01

MR89EM6-11.1

MT1389E DVD Demo Board for SANYO HD60 PUH

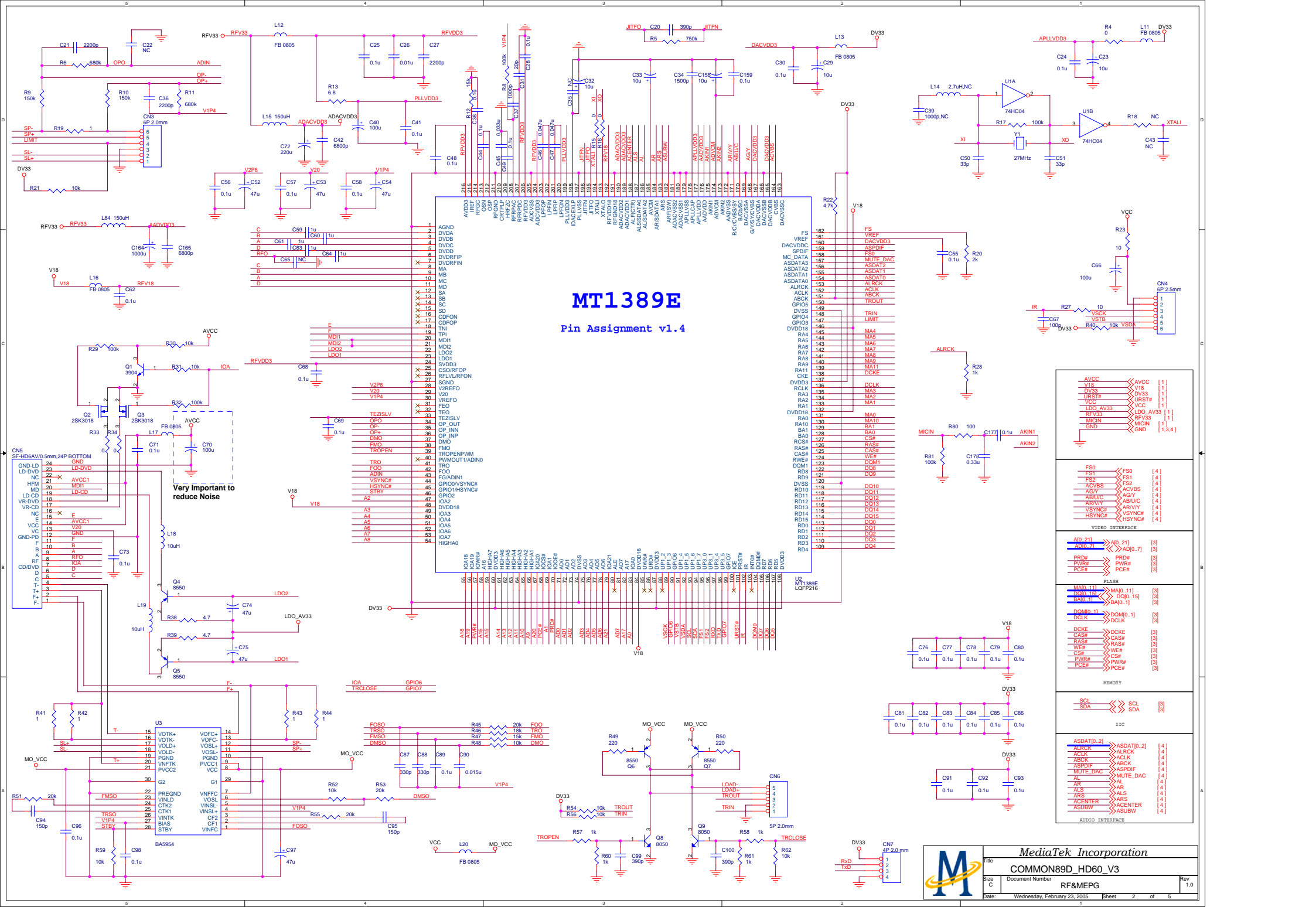
- | | |
|---|------------------------------|
| 1 | INDEX & POWER, RESET |
| 2 | RF / SERVO /MPEG - MT1389D |
| 3 | MEMORY - SDRAM, FLASH/EEPROM |
| 4 | VIDEO FILTER |
| 5 | AUDIO FILTER |

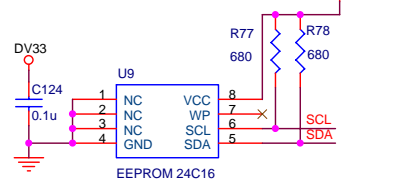
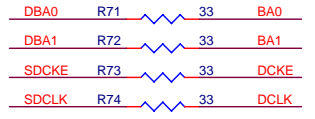
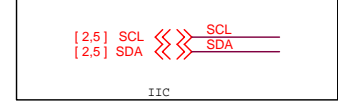
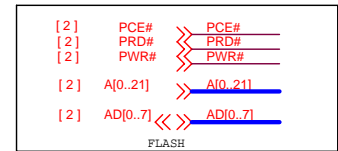
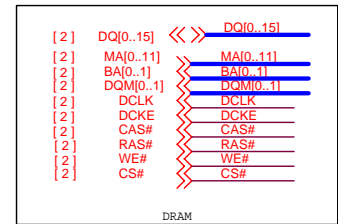
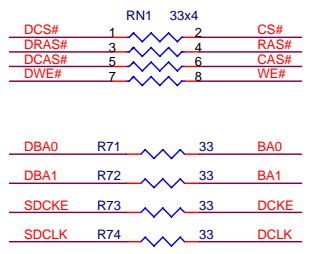
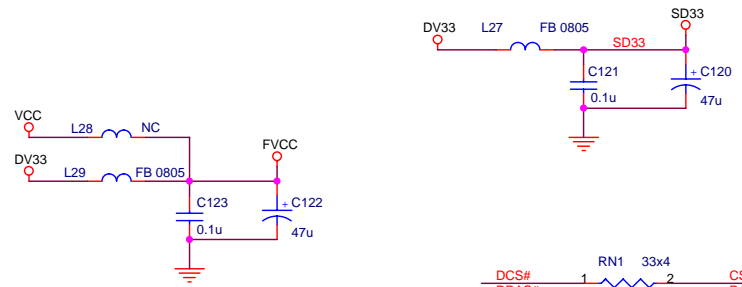
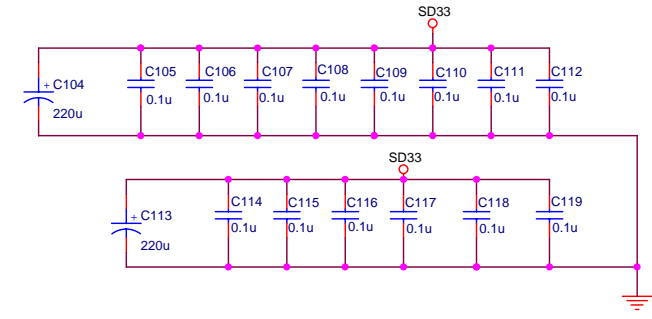
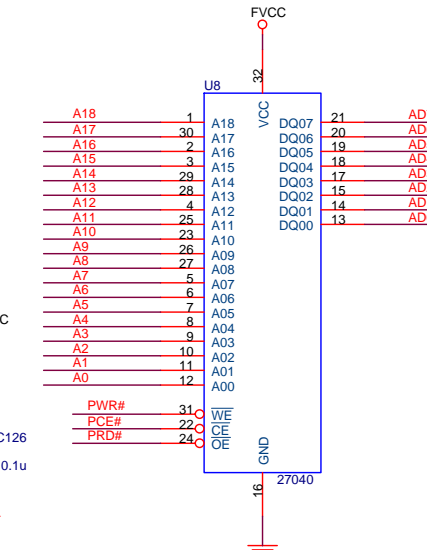
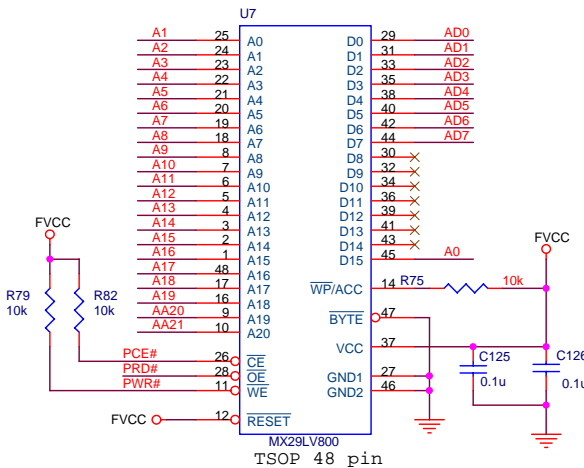
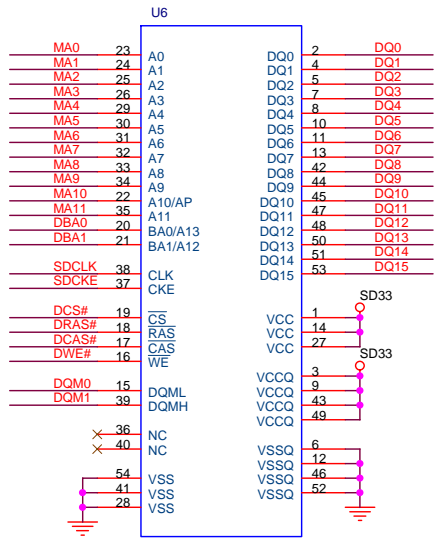
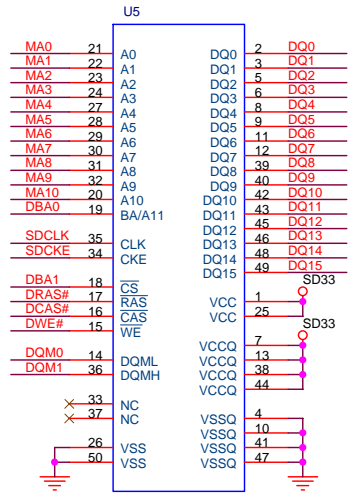
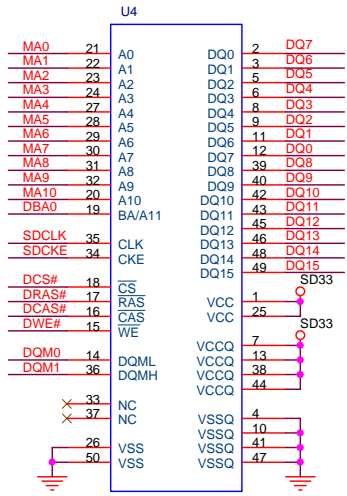
NAME	TYPE	DEVICE
VCC	Digital 5V	SUPPLY
DV33	Digital 3.3V	MT1389E
RFV33	Servo 3.3V	MT1389E
LDO_AV33	Laser Diode 3.3V	
AVCC	RF 5V	PICKUP HEADER
V18	Digital 1.8V	MT1389E
SD33	Digital 3.3V	SDRAM
+12V	Audio +12V	OP AMP.
-12V	Audio -12V	OP AMP.
AVDD	Audio 5V	Audio DAC
DVDD	Audio 5V	Audio DAC



Regulator	R3	R2
Fix regulator	0 ohm	OFF
Adj regulator	300 1%	680 1%

- URST# >>> URST# [2]
- V18 >>> V18 [2]
- DV33 >>> DV33 [2,3,4]
- VCC >>> VCC [2,3,4]
- AVCC >>> AVCC [2]
- LDO_AV33 >>> LDO_AV33 [2]
- RFV33 >>> RFV33 [2]
- VCC_AUDIO >>> VCC_AUDIO [4]
- +12V >>> +12V [4]
- 12V >>> -12V [4]
- MICIN >>> MICIN [2]
- GND >>> GND [2,3,4]





		MediaTek Incorporation	
		Title COMMON89D_HD60_V3	
Size	Document Number	SDRAM&FLASH	
B			
Date:	Monday, February 28, 2005	Sheet	3 of 5
			Rev 1.0

- [1] -12V >> -12V
- [1] +12V >> +12V
- [1] VCC >> VCC
- [1] VCC_AUDIO >> VCC_AUDIO
- [1,2,3,4] GND >> GND

- [2] ASDAT[0..2] >> ASDAT[0..2]
- [2] ACLK >> ACLK
- [2] ABCK >> ABCK
- [2] ALRCK >> ALRCK
- [2] MUTE_DAC >> MUTE_DAC
- [2] ASPDIF >> ASPDIF
- [2] AL >> AL
- [2] AR >> AR
- [2] ALS >> ALS
- [2] ARS >> ARS
- [2] ACENTER >> ACENTER
- [2] ASUBW >> ASUBW
- [2] ACVBS >> ACVBS
- [2] AGY >> AGY
- [2] ABUC >> ABUC
- [2] ARVY >> ARVY
- [2] VSYNC# >> VSYNC#
- [2] HSYNC# >> HSYNC#
- [2] FS0 >> FS0
- [2] FS1 >> FS1
- [2] FS2 >> FS2

- ACLK R142 33 SACLK
- ALRCK R143 33 SLRCK
- ABCK R144 33 SBCLK
- ASDAT0 R149 33 SDAT0
- ASDAT1 R150 33 SDAT1
- ASDAT2 R151 33 SDAT2

- SDAT0 1 U16 NC
- SDAT1 2 DAT1 SCK
- SDAT2 4 DAT2 BCK
- 1 DAT3 LCLK
- 2 DAT4 LTRK
- 3 DAT5 DEM1
- 4 DAT6 DEM2
- 5 DAT7 VCC
- 6 DAT8 AGND
- 7 DAT9 OUT2L
- 8 DAT10 OUT2R
- 9 DAT11 OUT2L
- 10 DAT12 OUT2R

- AR R192 0 RMAIN
- AL R193 0 LMAIN
- ARS R194 0 RREAR
- ALS R195 0 LREAR
- ASUBW R196 0 LFE
- ACENTER R197 0 CENT

