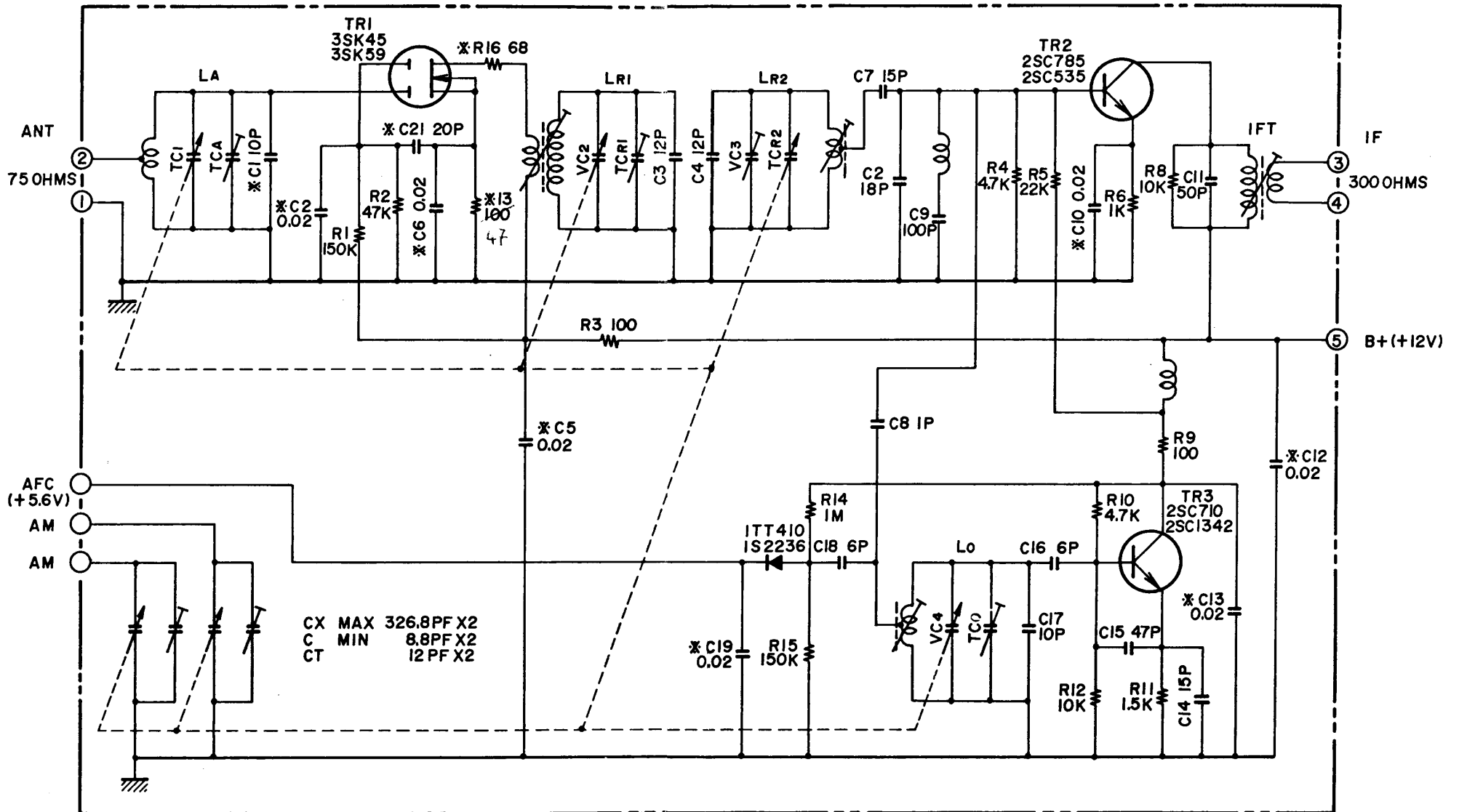


NOTE 1. UNLESS OTHERWISE SPECIFIED
 ALL RESISTORS IN OHMS 1/4 W(J)
 ALL CAPACITORS IN μ F 50 WV (J)
 P = μ MUF

2. POWER TRANSFORMER IS DIFFERENT
 ACCORDING TO AREA

AT-2400



AT-2400
FRONT END FB622U11
NO. 2-2 1540447A