

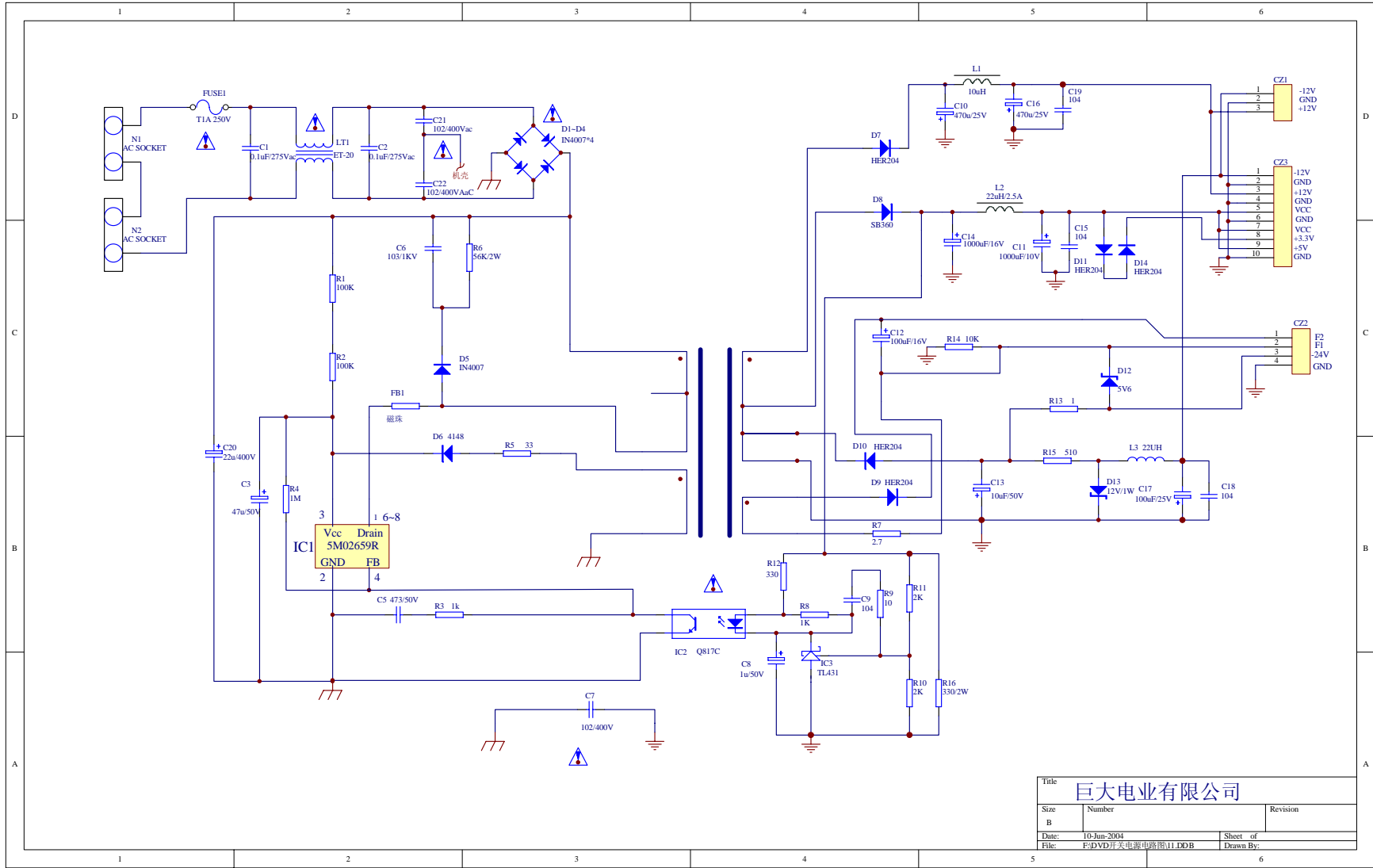


**AKAI**

**DVD PLAYER**

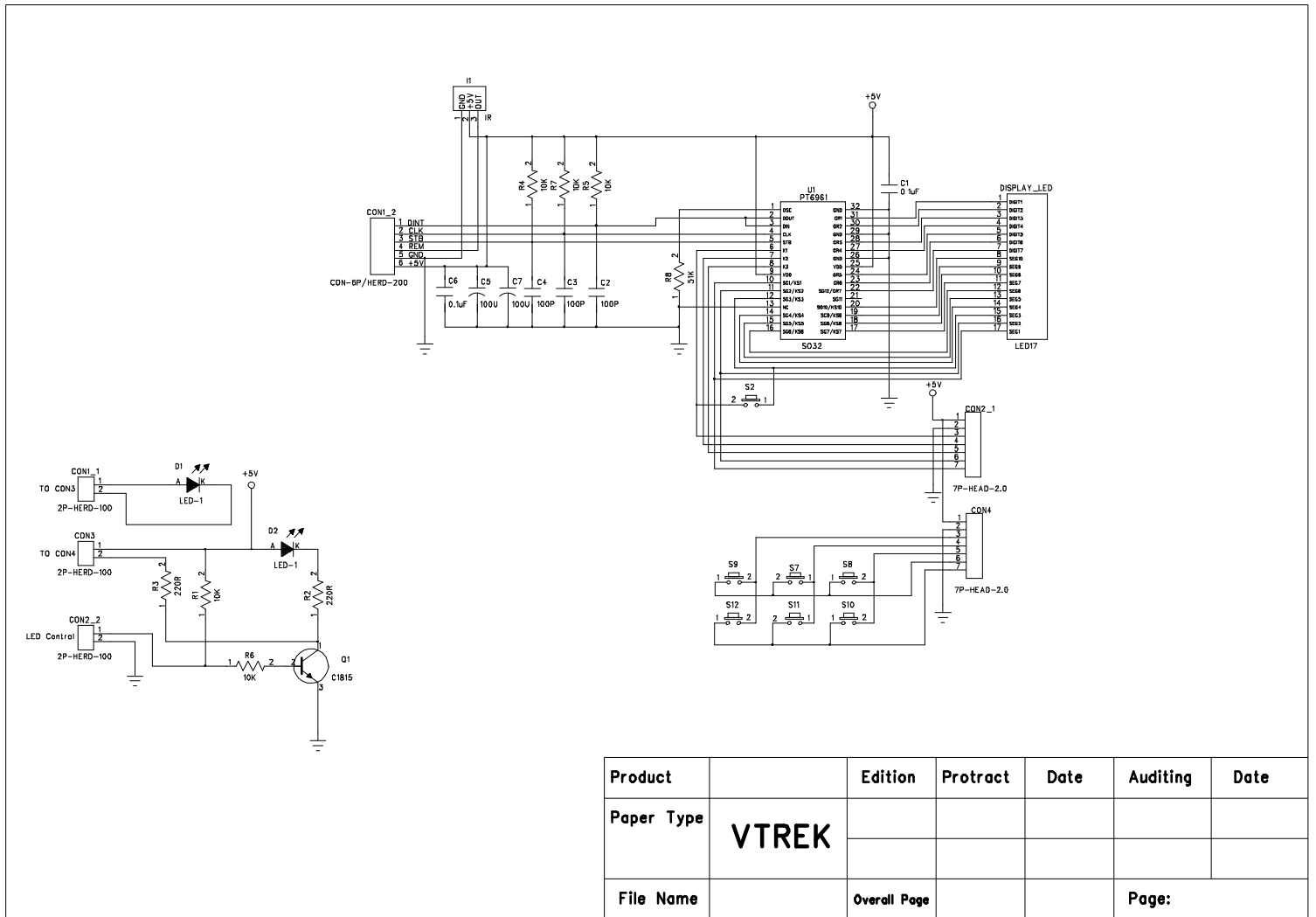
Model:  
DV-P4765KDSM

**SERVICE MANUAL**



Title 巨大电业有限公司

Size	Number	Revision
B		
Date:	10-Jun-2004	Sheet of
File:	F:\DVD开关电源电路图\1.LDDB	Drawn By:

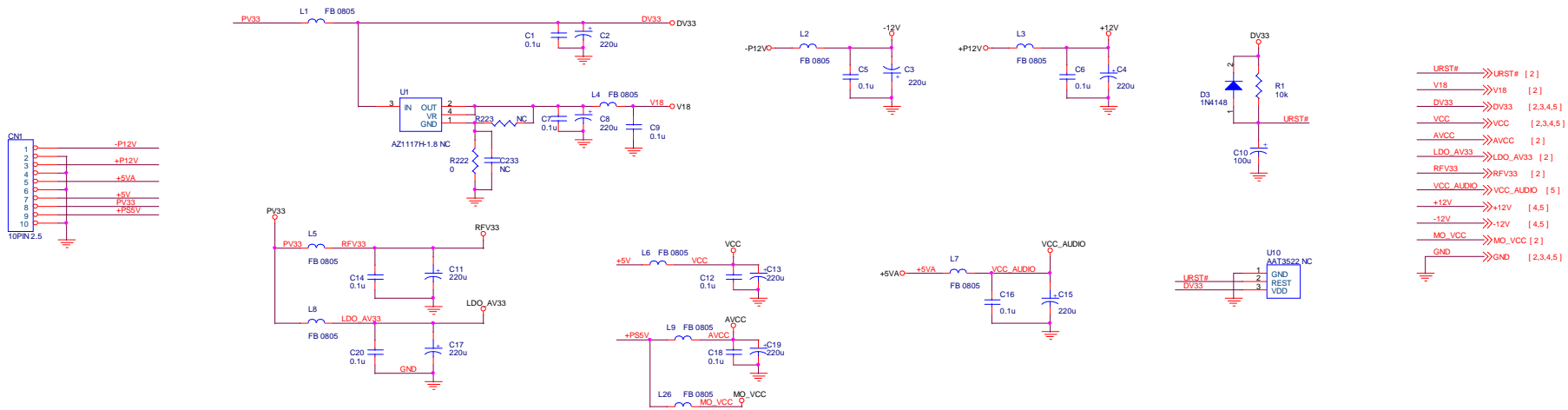


Product		Edition	Protract	Date	Auditing	Date
Paper Type	<b>VTREK</b>					
File Name		Overall Page			Page:	

# MT1389C DVD Board for SONY KHM310 PUH

- 1 INDEX & POWER, RESET
- 2 RF / SERVO - MT1336E
- 3 MPEG - MT1379E
- 4 MEMORY - SDRAM, FLASH/EEPROM
- 5 AUDIO - WM8746, VIDEO FILTER

NAME	TYPE	DEVICE
VCC	Digital 5V	SUPPLY
DV33	Digital 3.3V	MT1389E
RFV33	Servo 3.3V	MT1389E
LDO_AV33	Laser Diode 3.3V	
AVCC	RF 5V	PICKUP HEADER
V18	Digital 1.8V	MT1389E
SD33	Digital 3.3V	SDRAM
+12V	Audio +12V	OP AMP.
-12V	Audio -12V	OP AMP.
AVDD	Audio 5V	Audio DAC
DVDD	Audio 5V	Audio DAC



- URST# >>> URST# [2]
- V18 >>> V18 [2]
- DV33 >>> DV33 [2,3,4,5]
- VCC >>> VCC [2,3,4,5]
- AVCC >>> AVCC [2]
- LDO\_AV33 >>> LDO\_AV33 [2]
- RFV33 >>> RFV33 [2]
- VCC\_AUDIO >>> VCC\_AUDIO [5]
- +12V >>> +12V [4,5]
- 12V >>> -12V [4,5]
- MO\_VCC >>> MO\_VCC [2]
- GND >>> GND [2,3,4,5]

	<b>MediaTek Incorporation</b>		
	COMMOND89_HD60		
File	Document Number	INDEX	Rev 1.0
Date: Friday, August 27, 2004	Sheet	1	of 5

MT1389/C NOTE:  
C41, C36, C43, C44, C37 NC;  
R24 560

309Y klm280 pub:943,945 6881823 1k;  
889,890,892,895,920 0 0REV;  
C291 10P/C64 NC/125 FR1  
R51 51K/ R52 27K/R53  
10K/C39, C90 560P

# U2 MT1389

Pin assignment version 1.5

Very Important  
to reduce  
Noise

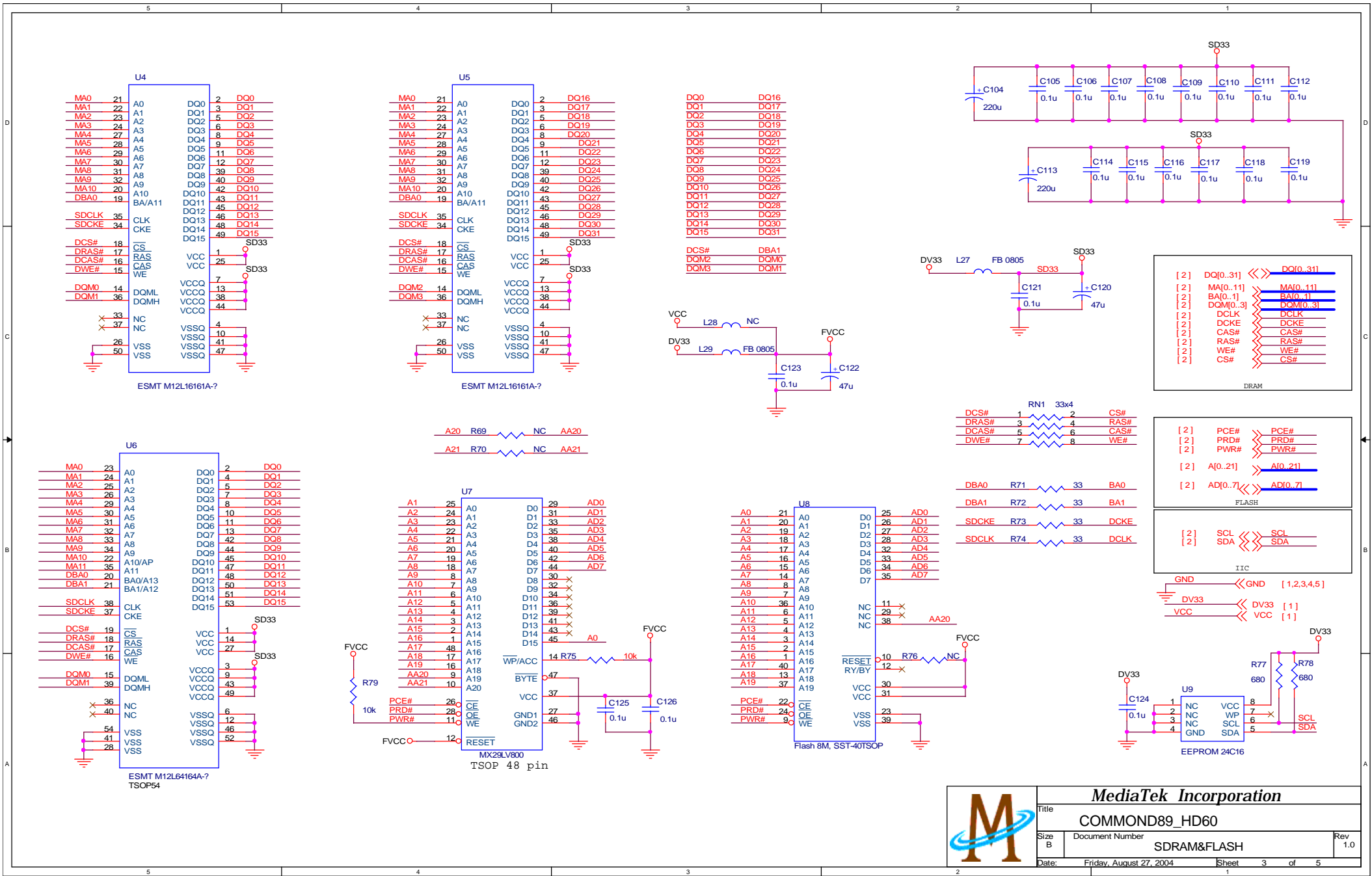
AVCC	AVCC	[1]
V18	V18	[1]
DV33	DV33	[1]
VCC	VCC	[1]
MO_VCC	MO_VCC	[1]
RF_V33	RF_V33	[1]
LDO_AV33	LDO_AV33	[1]
POWER		
Y1.6I	Y1.6I	[4]
YSTRN#	YSTRN#	[4]
RESET#	VSYNCP#	[4]
FS0	RESET#	[4]
FS1	FS0	[4]
FS2	FS1	[4]
FS2	FS2	[4]
V1888_INTERRP2C		
AD_211	AD_211	[3]
ADIN[7]	ADIN[7]	[3]
ADIN	ADIN	[3]
PWR#	PWR#	[3]
PCE#	PCE#	[3]
FLASH		
MA0_111	MA0_111	[3]
MA0_511	MA0_511	[3]
MA0_011	MA0_011	[3]
MA0_011	MA0_011	[3]
MEMORY		
DCLK	DCLK	[3]
CAS#	DCKE	[3]
WE#	CAS#	[3]
RAS#	RAS#	[3]
WE#	WE#	[3]
CS#	CS#	[3]
IIC		
SCL	SCL	[3]
SDA	SDA	[3]
AUDIO		
ASDAT0[2]	ASDAT0[2]	[5]
ALRCK	ALRCK	[5]
ACLK	ACLK	[5]
ASPDIF	ASPDIF	[5]
MUTE_DAC	MUTE_DAC	[5]
MUTE_MIC	MUTE_MIC	[5]
AUDIO INTERRP2C		

**MediaTek Incorporation**

File: COMMOND89\_HD60

Size: C Document Number: RF&MEPG Rev: 1.0

Date: Friday, August 27, 2004 Sheet: 2 of 5

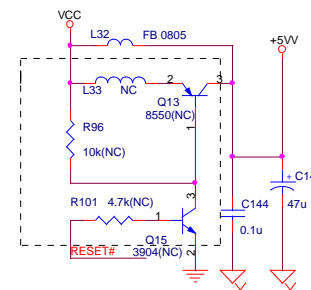
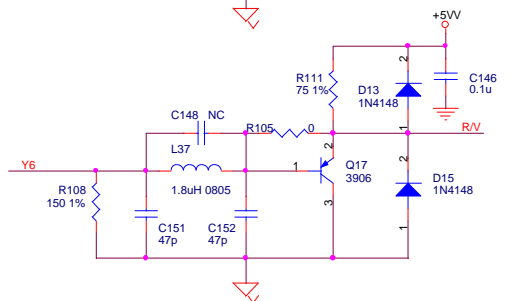
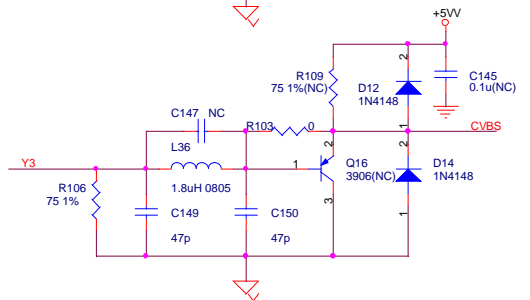
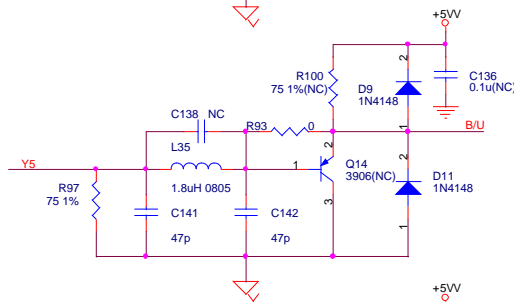
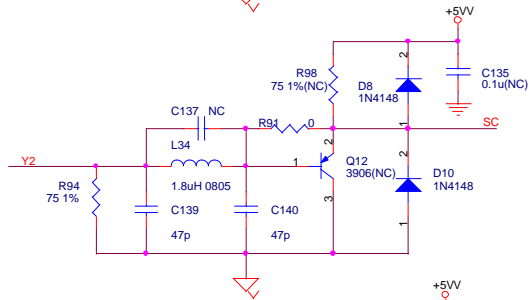
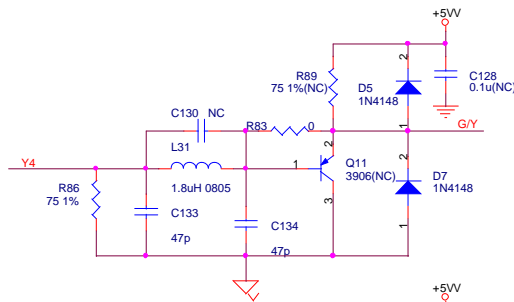
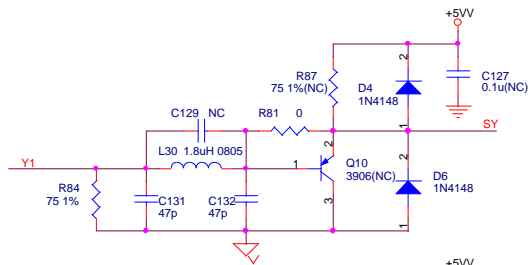


**MediaTek Incorporation**

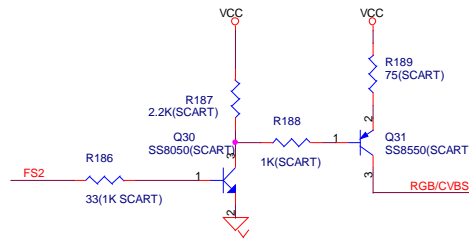
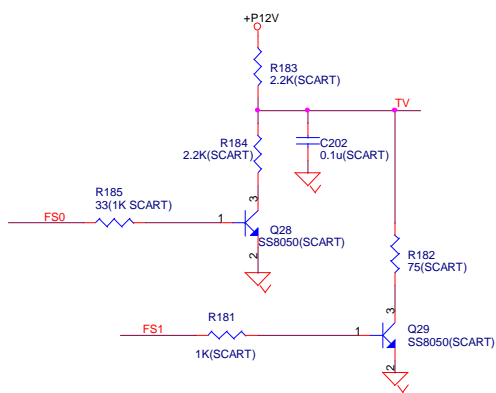
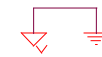
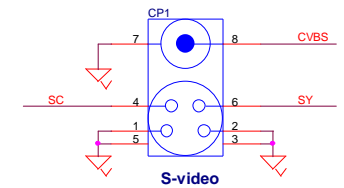
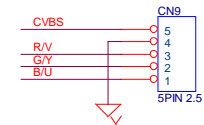
Title: **COMMOND89\_HD60**

Size: B | Document Number: **SDRAM&FLASH** | Rev: 1.0

Date: Friday, August 27, 2004 | Sheet: 3 of 5



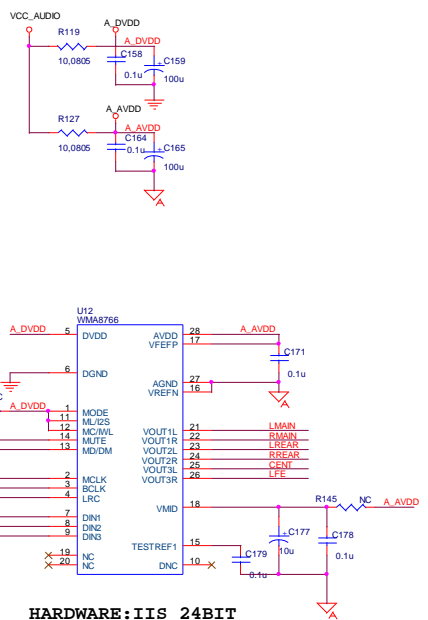
- VCC << VCC [1]
- Y[1..6] << Y[1..6] [2]
- RESET# << RESET# [2.5]
- FS0 << FS0 [2]
- FS1 << FS1 [2]
- FS2 << FS2 [2]
- GND << GND [1]
- G/Y >> G/Y [5]
- B/U >> B/U [5]
- R/V >> R/V [5]
- TV >> TV [5]
- RGB/CVBS >> RGB/CVBS [5]



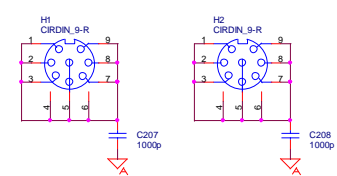
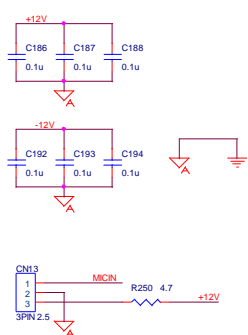
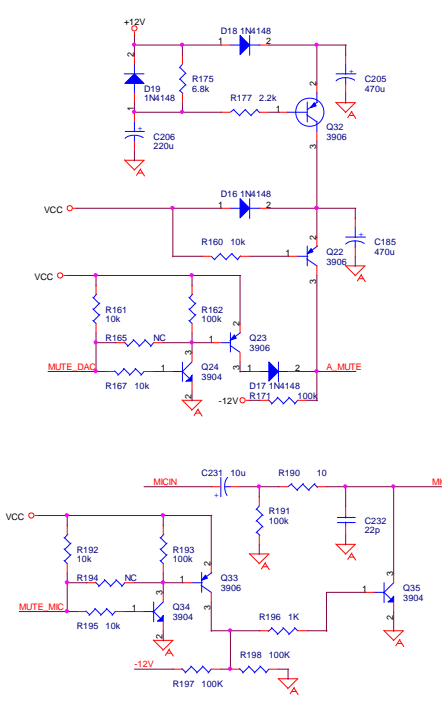
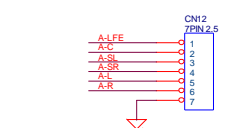
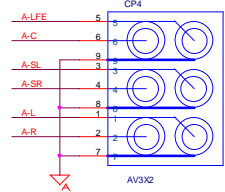
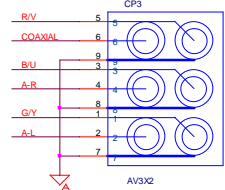
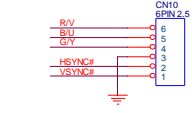
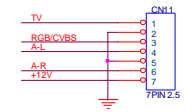
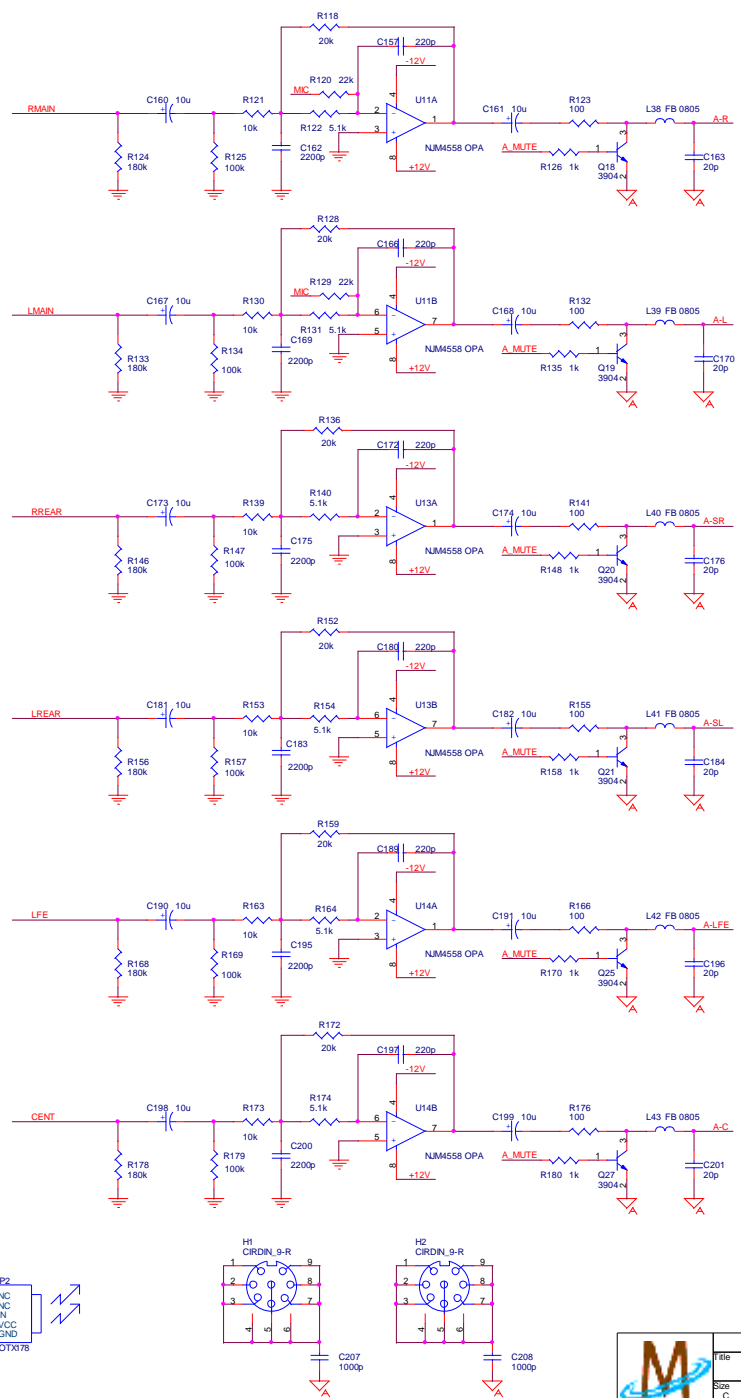
<b>MediaTek Incorporation</b>			
Title <b>COMMOND89_HD60</b>			
Size Custom	Document Number <b>VIDEO OUT PORT</b>	Rev 1.0	
Date: Friday, August 27, 2004	Sheet 4	of 5	

- [1] -12V >> -12V
- [1] +12V >> +12V
- [1] VCC >> VCC
- [1] VCC\_AUDIO >> VCC\_AUDIO
- [1,2,3,4] GND >> GND
- [2] ASDAT[0..2] >> ASDAT[0..2]
- [2] ACLK >> ACLK
- [2] ABCK >> ABCK
- [2] ALRCK >> ALRCK
- [2] MUTE\_MIC >> MUTE\_MIC
- [2] MUTE\_DAC >> MUTE\_DAC
- [2.4] RESET# >> RESET#
- [2.5] SCL << SCL
- [2.5] SDA << SDA
- [2] ASPDF >> ASPDF
- [4] R/V >> R/V
- [4] G/Y >> G/Y
- [4] B/U >> B/U
- [4] TV >> TV
- [4] RGB/CVBS >> RGB/CVBS
- [2] HSYNC# >> HSYNC#
- [2] VSYNC# >> VSYNC#

- ACLK R142 33 SACLK
- ALRCK R143 33 SLRCK
- ABCK R144 33 SBCLK
- ASDAT0 R149 33 SDAT0
- ASDAT1 R150 33 SDAT1
- ASDAT2 R151 33 SDAT2

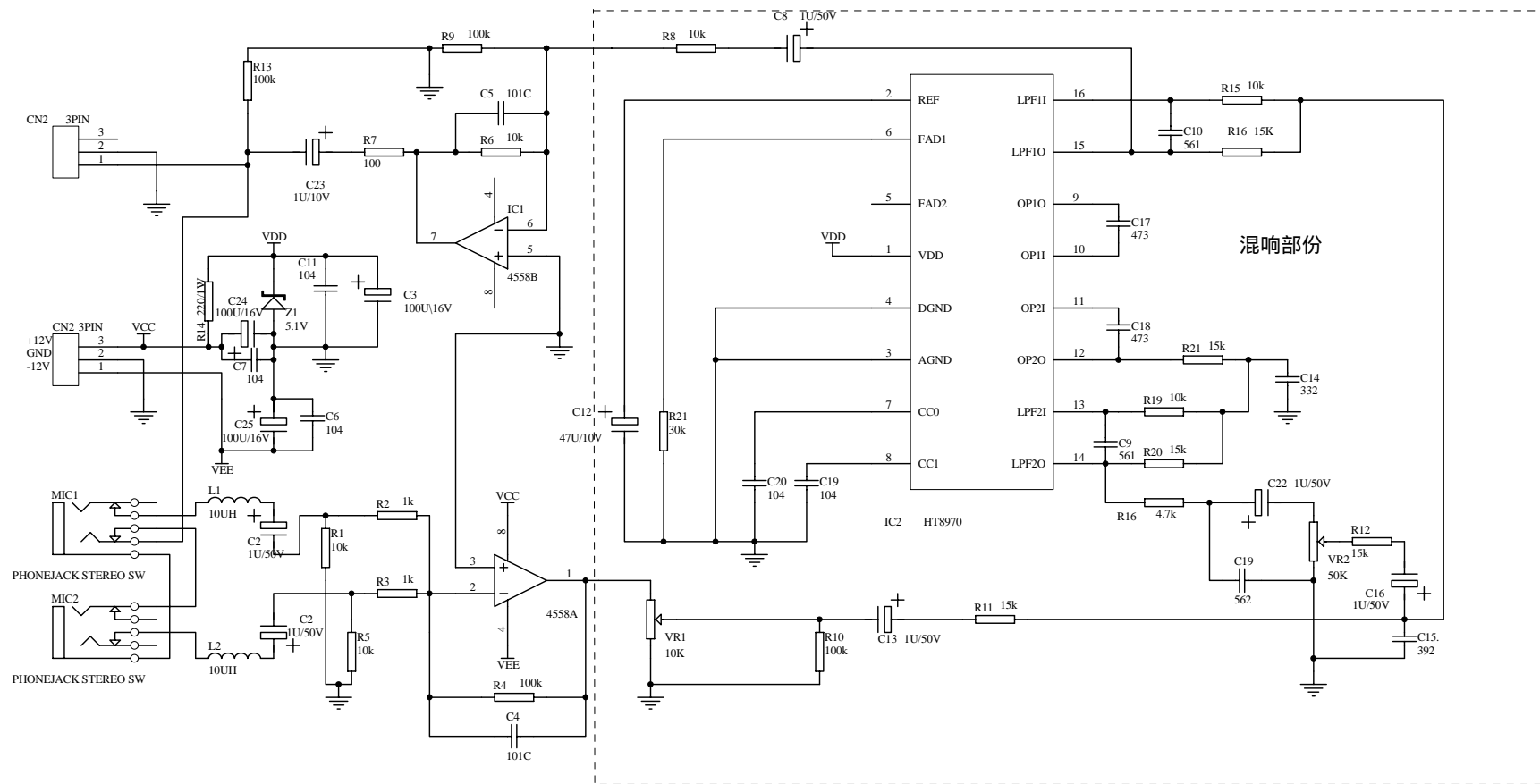


**HARDWARE: IIS 24BIT**



	<b>MediaTek Incorporation</b>		
	File	COMMOND89_HD60	
	Size	Document Number	Rev
	C	AUDIO OUT PORT	
Date:	Friday, August 27, 2004	Sheet	5 of 5





SIZE:132mm\*85mm

