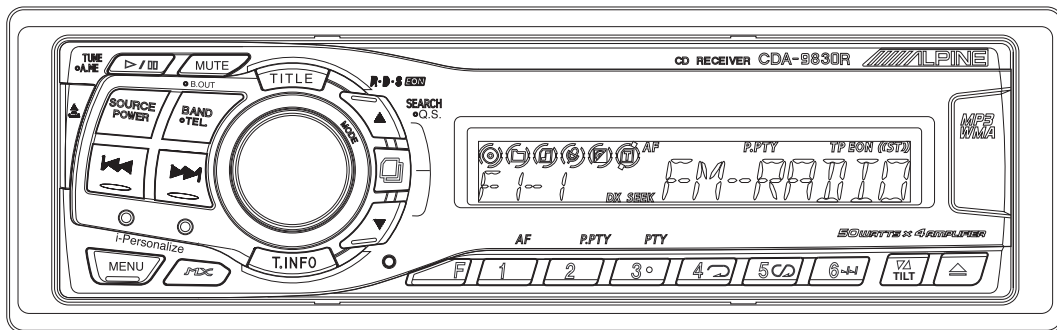


ALPINE

SERVICE MANUAL

FM/MW/LW/RDS CD Receiver

MP3



3 / 04-A
68E36334S01



CDA-9830R

<Cautions for Safe Repair Work>



The following cautions will prevent accidents in the workplace and will ensure safe products.

*The symbols indicate caution is needed to prevent injuries and damage to property.



The symbols and their meanings follow.

 Warning	If you ignore this symbol and handle the product incorrectly or unsafely, serious injury or death may result.
 Caution	If you ignore this symbol and handle the product incorrectly or unsafely, injury or only material damage may result.



*The following symbols indicate two levels of cautions.



 When you see this symbol, you have to be very careful.	
 When you see this symbol, you have to follow the instructions there.	



Warning

 Do not look squarely into the laser light coming from the pickup. You may lose your sight.	 Fuse Caution Always use a designated fuse. Use of an incorrect fuse may result in a fire.
--	--

Caution

 Do not allow wiring to be caught in the screw/chassis. If wiring is caught in the screw/chassis, it may cause a short circuit, resulting in a fire.	 Battery Caution Use the designated battery. Confirm the correct polarity and seat of the battery. An incorrect battery or an improperly connected or seated battery may result in a fire.
---	---

 High Temperature Caution Touching the heat sink may cause severe burns.	 Designated Parts Caution Look up the part list and ensure that only designated parts are used to prevent problems or accidents.
---	---

 Reverse Power Supply Connections or Misconnections Caution Reverse power supply connections or misconnections may cause ignition problems and smoke may result.	 Wiring Caution Ensure that the wiring is correct when rewiring to prevent problems with ignition/breakdown.
---	---

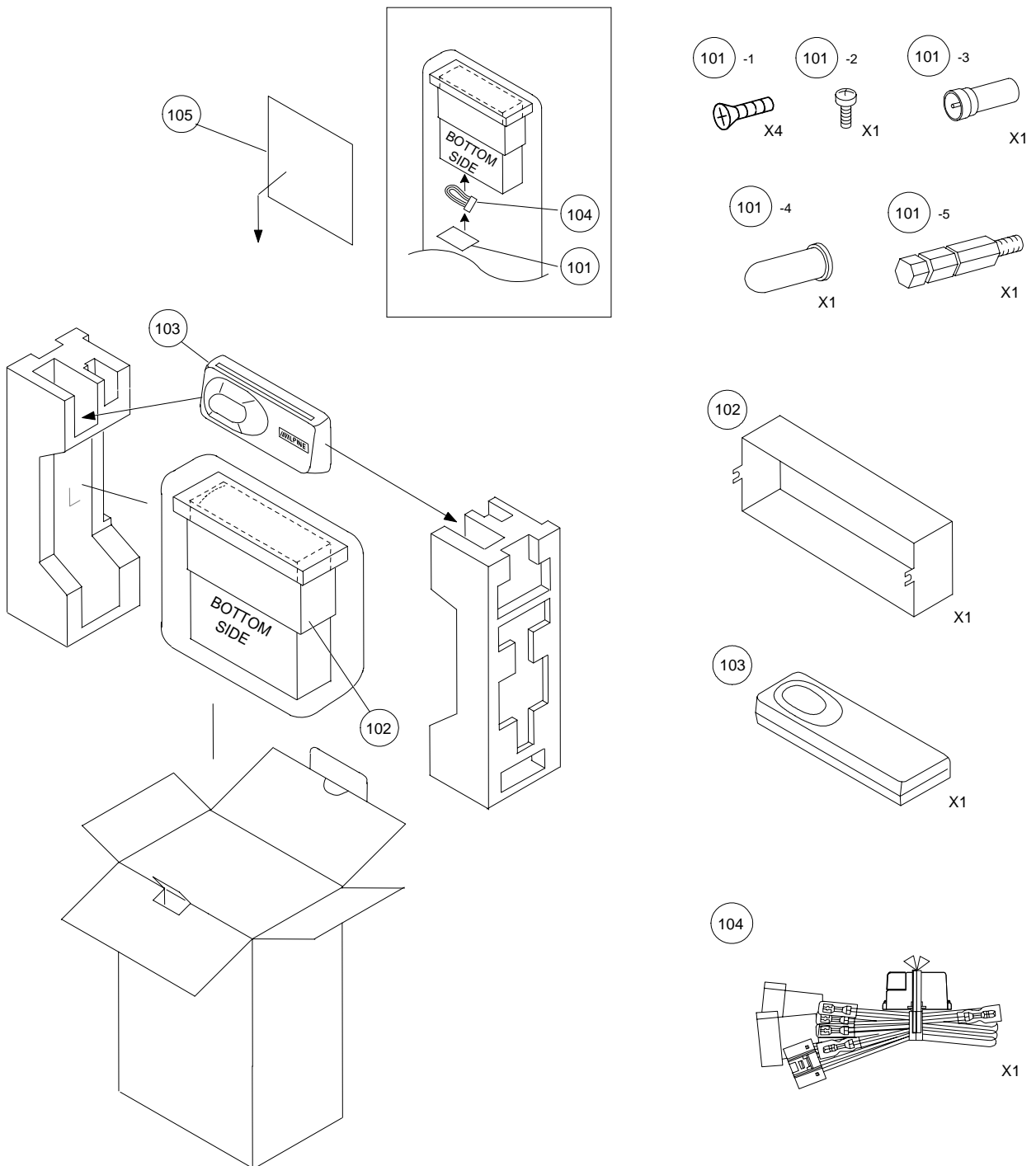
 Soldering Caution Hot solder from solder splash may cause severe burns.	 Wear Gloves Wear gloves to prevent electrical shocks or injury from the end face of the metal.
---	--

Packing Assembly Parts List

Symbol No.	Part No.	Description
101-1	03S60820Y16	SCR,MCH 5X8 ZN A
101-2	03S60824Y01	SCR,WEV 1.7X4 ZN A
101-3	01T04296K01	ISO/JASO ANT A ADAPTER
101-4	36A02449K01	CAP,RUBBER(A)
101-5	03A60836Y01	SCR,CUS 5X7 ZN A

Symbol No.	Part No.	Description
102	15D00529K02	CASE,INNER
103	15D01798K03	CARRYING,CASE
104	01T75411Y02	ASSY,WIRE-ISO-M9830R
105	68P04190K04	O/M AOEU AODN

Packing Method View



Specifications

<FM RADIO>

Intermediate Frequency	10.7±0.1MHz
Frequency Range	87.5 to 108.0MHz
Usable Sensitivity (30 S/N, Mono, at 98.1MHz)	20.2dBf
-3dB Limiting Sensitivity (at 98.1MHz)	23.2dBf
Residual Noise (Ref. 400Hz, at 98.1MHz)	28±10dB
S/N Ratio (at 98.1MHz)	Stereo : 55dB Mono : 58dB
Image Rejection (at 106.1MHz)	40dB
IF Rejection (at 90.1MHz)	60dB
Distortion (Input 60dBu, at 98.1MHz)	1.0%
Frequency Response (Ref. 400Hz, at 98.1MHz)	100Hz : 0±3dB 10kHz : -10±3dB
Stereo Separation (1kHz, at 98.1MHz)	20dB
PS Sensitivity (at 98.1MHz)	36.2dBf

<MW RADIO>

Intermediate Frequency	1st : 10.7MHz 2nd : 450kHz
Frequency Range	531 to 1,602kHz
Usable Sensitivity (20dB S/N, at 999kHz)	36dB
S/N Ratio (at 999kHz)	44dB
Image Rejection (at 1,404kHz)	50dB
IF Rejection (at 603kHz)	60dB
Distortion (at 999kHz)	1.5%
Frequency Response (Ref. 400Hz, at 999kHz)	100Hz : -3±4dB 2.5kHz : -3+4, -6dB

<LW RADIO>

Intermediate Frequency	1st : 10.7MHz 2nd : 450kHz
Frequency Range	153 to 281kHz
Usable Sensitivity (20dB S/N, at 216kHz)	42dB
S/N Ratio (at 216kHz)	44dB
Image Rejection (at 270kHz)	50dB
IF Rejection (at 162kHz)	60dB
Distortion (at 216kHz)	1.5%
Frequency Response (Ref. 400Hz, at 216kHz)	100Hz : -3±4dB 2.5kHz : -3+4, -6dB

<CD SECTION>

System	Optical (Compact Disc System)
Channel Balance (1kHz)	CD : TCD-782 : 0±3dB MP3 : SCD-5100 (FOLDER4-128kbps) : 0±3dB WMA : SCD-5100 (FOLDER10-128kbps) : 0±3dB

CDA-9830R

Distortion (1kHz) CD : TCD-782 : 0.1%
MP3 : SCD-5100 (FOLDER4-128kbps) : 0.1%
WMA : SCD-5100 (FOLDER10-128kbps) : 0.1%

Frequency Response (Ref. 1kHz) CD : TCD-782 : 17Hz : 0±3dB
127Hz : 0±2dB
10.007kHz : 0±2dB
19.997kHz : -2±4dB
MP3 : SCD-5100 (FOLDER4-128kbps) : 17Hz : 0±3dB
127Hz : 0±2dB
10.007kHz : 0±2dB
19.997kHz : -2±4dB
WMA : SCD-5100 (FOLDER10-128kbps) : 17Hz : 0±3dB
127Hz : 0±2dB
10.007kHz : 0±2dB
19.997kHz : -2±4dB

S/N Ratio CD : TCD-782 : 95dB
MP3 : SCD-5100 (FOLDER4-128kbps) : 95dB
WMA : SCD-5100 (FOLDER10-128kbps) : 95dB

Separation CD : TCD-782 : 65dB
MP3 : SCD-5100 (FOLDER4-128kbps) : 65dB
WMA : SCD-5100 (FOLDER10-128kbps) : 65dB

De-Emphasis (Ref. 1kHz) CD : TCD-782 : 4kHz : -20±3dB
16kHz : -20±3dB

<Pickup>

Wave Length 795nm
Laser Power CLASS I

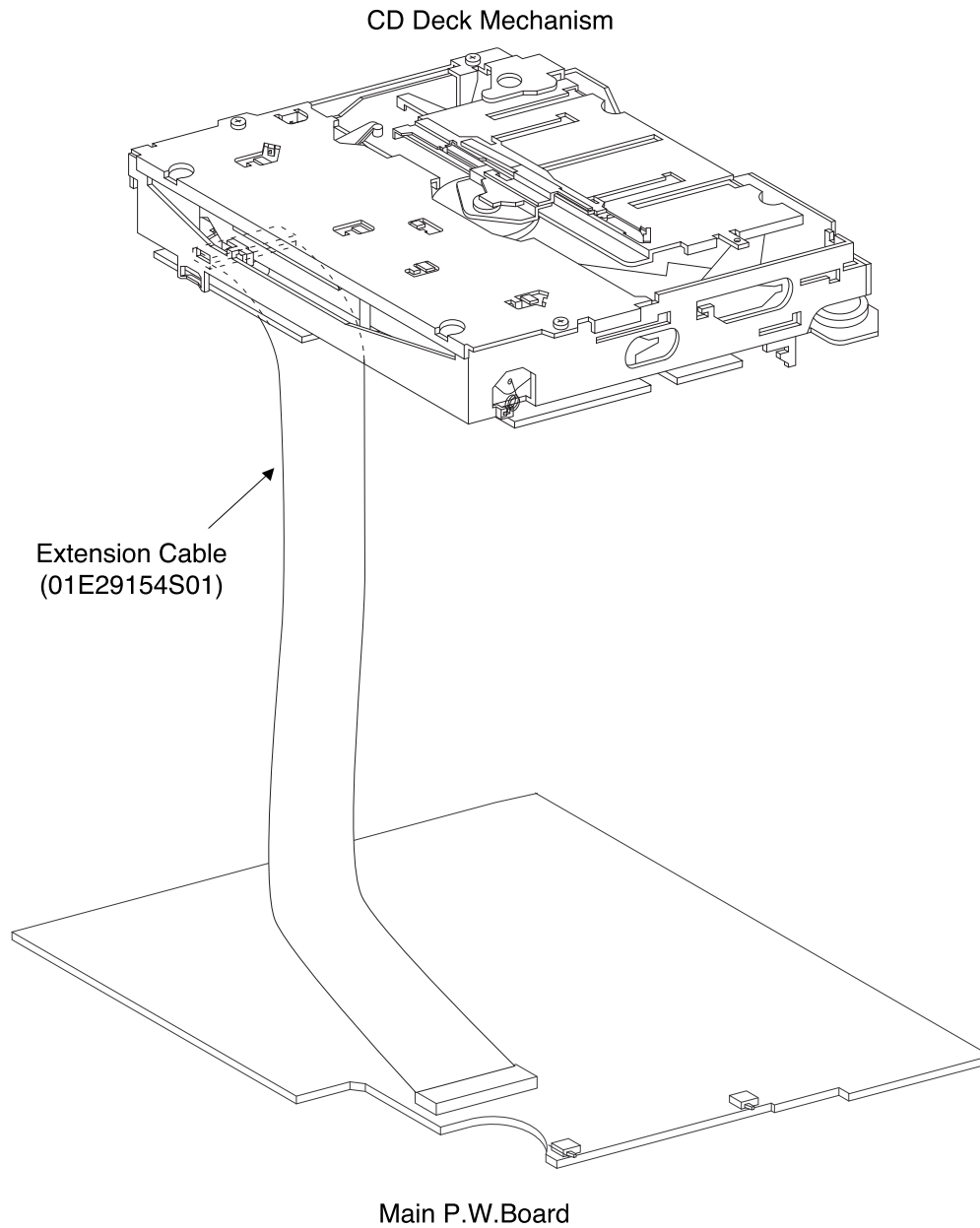
<GENERAL>

Power Supply DC14.4V
Power Output (Ref. TCD-782(1KHz, 0dB), T.H.D. 10%) /Impedance 25W/ch/4ohm
Pre Output (Ref. TCD-782(1KHz, 0dB), T.H.D. 1%) /Impedance 4V±2.5dBV/ch/10kohm
Dimensions (W x H x D) Chassis : 178 x 50 x 160mm
Nose : 188 x 58 x 24mm
Weight 1.6kg

NOTE : Due to Continuing product improvement, specifications and designs are subject to change without notice.

Extension Cable

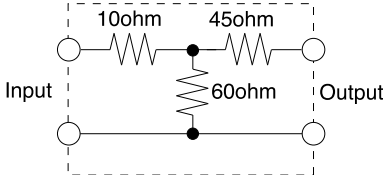
* When repairing or measuring the voltage of this unit, connect with the Extension Cable as shown in below.



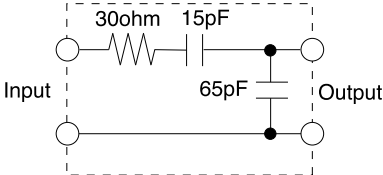
Adjustment Procedures

1. FM/MW/LW SECTION

(1) Dummy Antenna Circuit



For 50 ohm FM Signal Generator Figure 1



For 50 ohm MW/LW Signal Generator Figure 2

(2) Connections

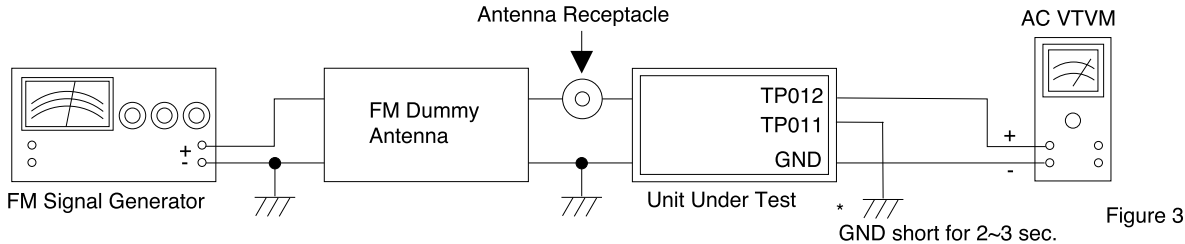


Figure 3

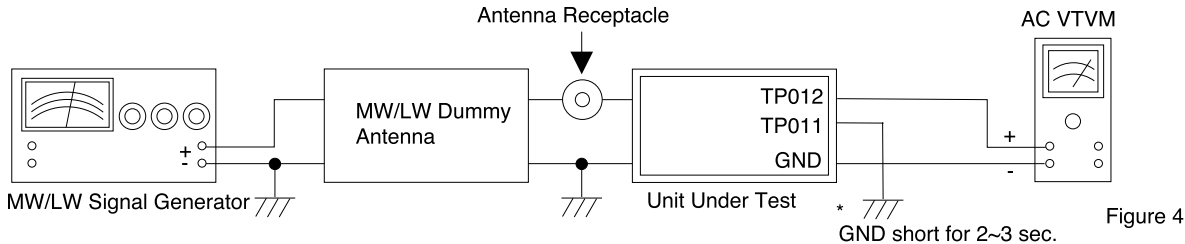


Figure 4

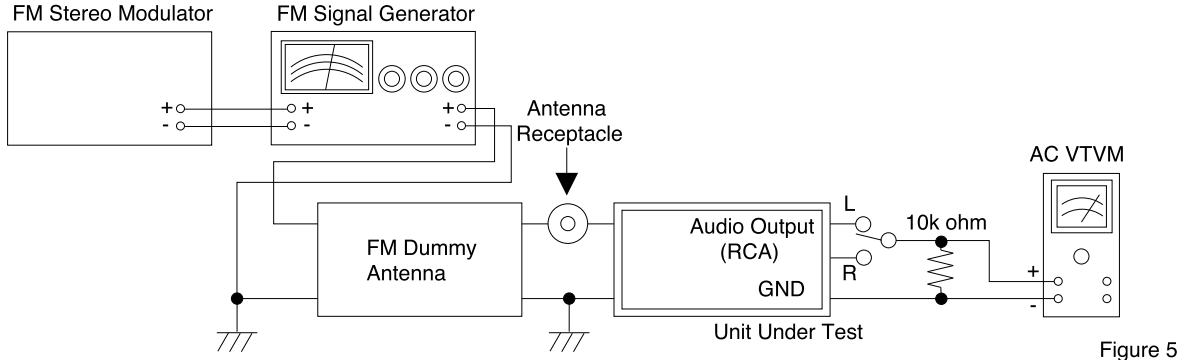


Figure 5

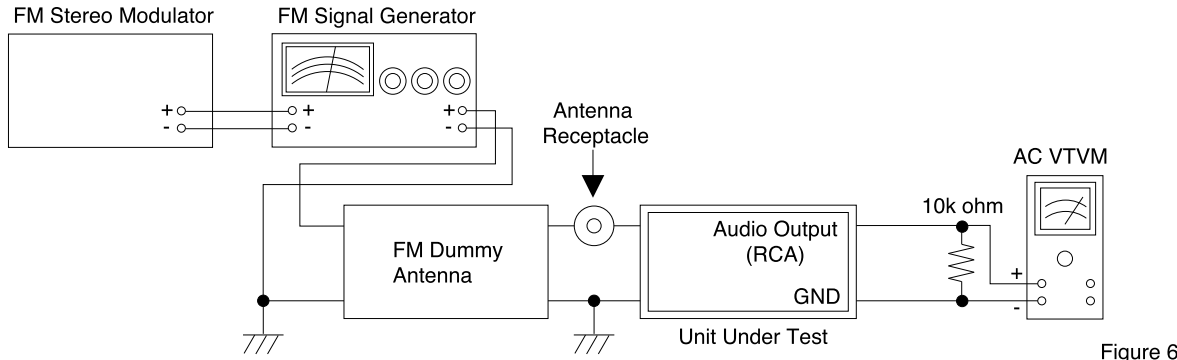


Figure 6

(3) Control Settings

Power Switch ON	Band Switch FM/MW/LW
Fader Control Center Position	T-CORR Non Effect
Balance Control Center Position	EQ FLAT
Treble Control Center Position	DEMO OFF
Bass Control Center Position	Others OFF
MX Non Effect		

(4) Adjustment Procedures

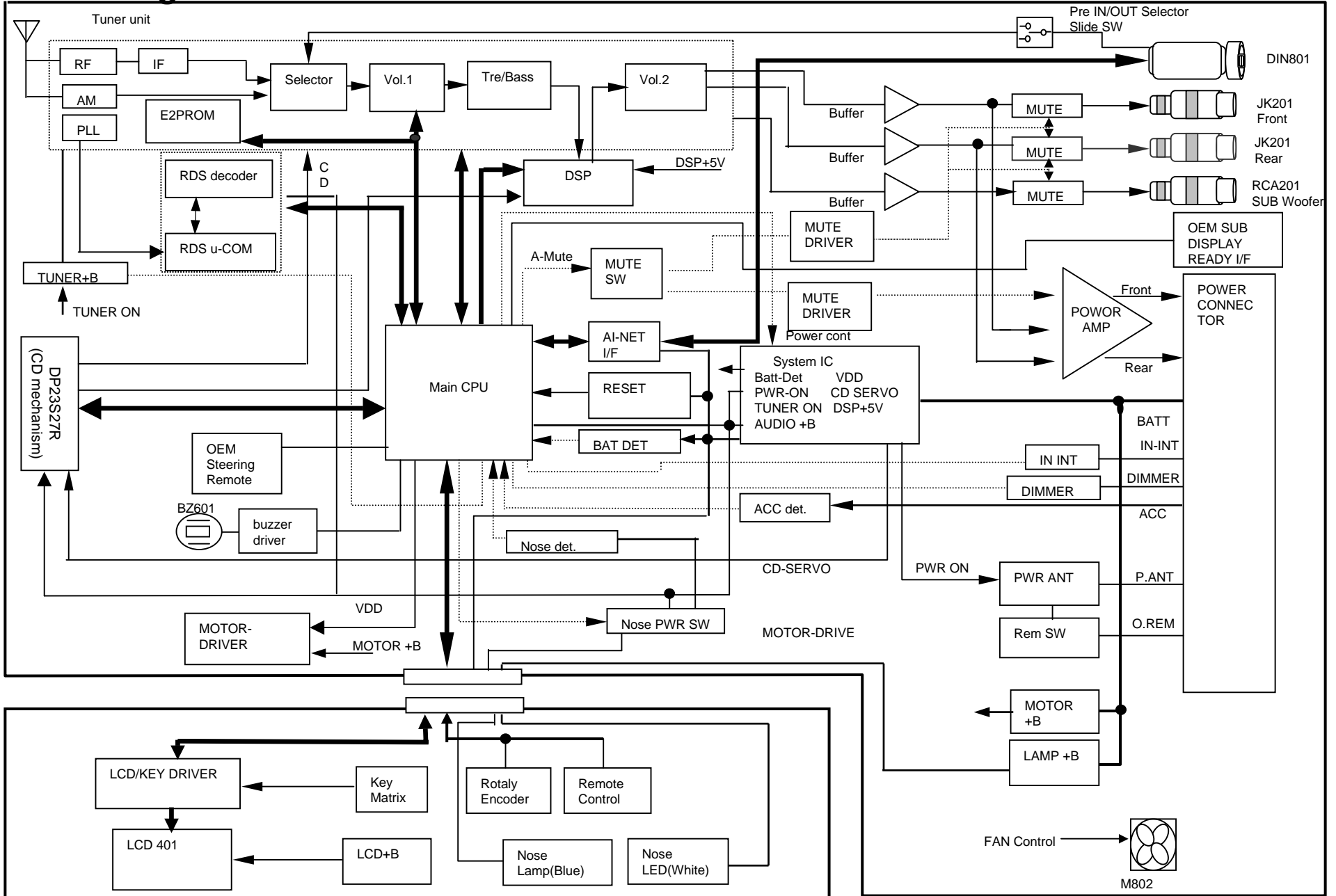
Step	Description	Connection	Signal Generator	Dial Control	Test Point / P.W.Board Coordinates	Adjustment
1	Signal Meter Auto Adjustment (FM)	Figure 3	(1) 87.5MHz , 26dBμ (Mod. OFF)	87.5MHz	TP012 (3-F) TP011 (3-F)	Auto Adjustment : After setting up of Signal Generator , short GND and TP011 (Pull-Down) for 2~3 seconds
			(2) 87.5MHz , 26dBμ (Mod. OFF)	87.5MHz	TP012 (3-F) TP011 (3-F)	Proceed same Auto Adjustment of step (1) under step (2) (SPEC) TP012 : 1.5±0.1V → OK (SPEC) TP012 : others 1.5±0.1V → NG NOTE : NG : Proceed same Auto Adjustment of step (1) under step (3)
			(3) 87.5MHz , 21~23dBμ (Mod. OFF)	87.5MHz	TP012 (3-F) TP011 (3-F)	Proceed same Auto Adjustment of step (1) under step (3)
			(4) 87.5MHz , 26dBμ (Mod. OFF)	87.5MHz	TP012 (3-F) TP011 (3-F)	Proceed same Auto Adjustment of step (1) under step (4)
2	Signal Meter Auto Adjustment (MW)	Figure 4	(1) 999kHz , 34dBμ (Mod. OFF)	999kHz	TP012 (3-F) TP011 (3-F)	Auto Adjustment : After setting up of Signal Generator , short GND and TP011 (Pull-Down) for 2~3 seconds
			(2) 999kHz , 34dBμ (Mod. OFF)	999kHz	TP012 (3-F) TP011 (3-F)	Proceed same Auto Adjustment of step (1) under step (2) (SPEC) TP012 : 1.0±0.1V → OK (SPEC) TP012 : others 1.0±0.1V → NG NOTE : NG : Proceed same Auto Adjustment of step (1) under step (3)
			(3) 999kHz , 29~31dBμ (Mod. OFF)	999kHz	TP012 (3-F) TP011 (3-F)	Proceed same Auto Adjustment of step (1) under step (3)
			(4) 999kHz , 34dBμ (Mod. OFF)	999kHz	TP012 (3-F) TP011 (3-F)	Proceed same Auto Adjustment of step (1) under step (4)

Step	Description	Connection	Signal Generator	Dial Control	Test Point / P.W.Board Coordinates	Adjustment	
3	Signal Meter Auto Adjustment (LW)	Figure 4	(1)	216kHz , 34dB μ . (Mod. OFF).	216kHz	TP012 (3-F) TP011. (3-F)	Auto Adjustment : After setting up of Signal Generator , short GND and TP011 (Pull-Down) . for 2~3 seconds.
			(2)	216kHz , 34dB μ . (Mod. OFF).	216kHz	TP012 (3-F) TP011. (3-F)	Proceed same Auto Adjustment of step . (1) under step (2). (SPEC) TP012 : 1.0 \pm 0.1V \rightarrow OK (SPEC) TP012 : others 1.0 \pm 0.1V \rightarrow NG. NOTE : NG : Proceed same Auto Adjustment of step (1) under step (3).
			(3)	216kHz , 29~31dB μ . (Mod. OFF).	216kHz	TP012 (3-F) TP011. (3-F)	Proceed same Auto Adjustment of step . (1) under step (3).
			(4)	216kHz , 34dB μ . (Mod. OFF).	216kHz	TP012 (3-F) TP011. (3-F)	Proceed same Auto Adjustment of step . (1) under step (4).
4	FM ST Separation (Roll OFF) Adjustment	Figure 5	(1)	—	—	—	Set up of Adjustment Mode : . Push [SOURCE/POWER] + [3] at the same time.
			(2)	98.1MHz, 72dB μ (Mod. 400Hz, Dev. 75kHz, Stereo, 1kHz, Lch only)	98.1MHz	Audio Output (RCA)	Push Preset Switches (1~5), and observe value of separation. Select Preset Switch of maximum separation. (SPEC) : separation : more than 25dB.
			(3)	—	—	—	Cancel Adjustment Mode : Push [SOURCE/POWER] + [3] at the same time..
5	Stereo Blend Adjustment (Lch)	Figure 5	(1)	—	—	—	Set up of Adjustment Mode : . Push [SOURCE/POWER] + [F] at the same time.
			(2)	98.1MHz, 46dB μ (Mod. 400Hz, Dev. 75kHz, Stereo, 1kHz, Lch only)	98.1MHz	Audio Output (RCA)	Push Preset Switches (1~6), and observe value of blend. (SPEC) : Blend : 8 \pm 6dB.
			(3)	—	—	—	Cancel Adjustment Mode : . Push [SOURCE/POWER] + [F] at the same time..
6	Limiting Adjustment	Figure 6	(1)	—	—	—	Set up of Adjustment Mode : . Push [SOURCE/POWER] + [UP] at the same time.
			(2)	98.1MHz, 24dB μ (Mod. 400Hz, Dev. 75kHz)	98.1MHz	Audio Output (RCA)	Push Preset Switches (1~5), and observe value of limiting. (SPEC) : Limiting : -3dB.
			(3)	—	—	—	Cancel Adjustment Mode : . Push [SOURCE/POWER] + [UP] at the same time.

Step	Description	Connection	Signal Generator	Dial Control	Test Point / P.W.Board Coordinates	Adjustment	
7	Noise Level Adjustment	Figure 6	(1)	—	—	—	Set up of Adjustment Mode : Push [SOURCE/POWER] + [UP] at the same time
			(2)	98.1MHz, .72 --> -20dBμ. (Mod. OFF).	98.1MHz	Audio Output (RCA)	Rotary encoder is turned and noise level is adjustment (SPEC) : Noise Level : 33±10dB
			(3)	—	—	—	Cancel Adjustment Mode : Push [SOURCE/POWER] + [UP] at the same time

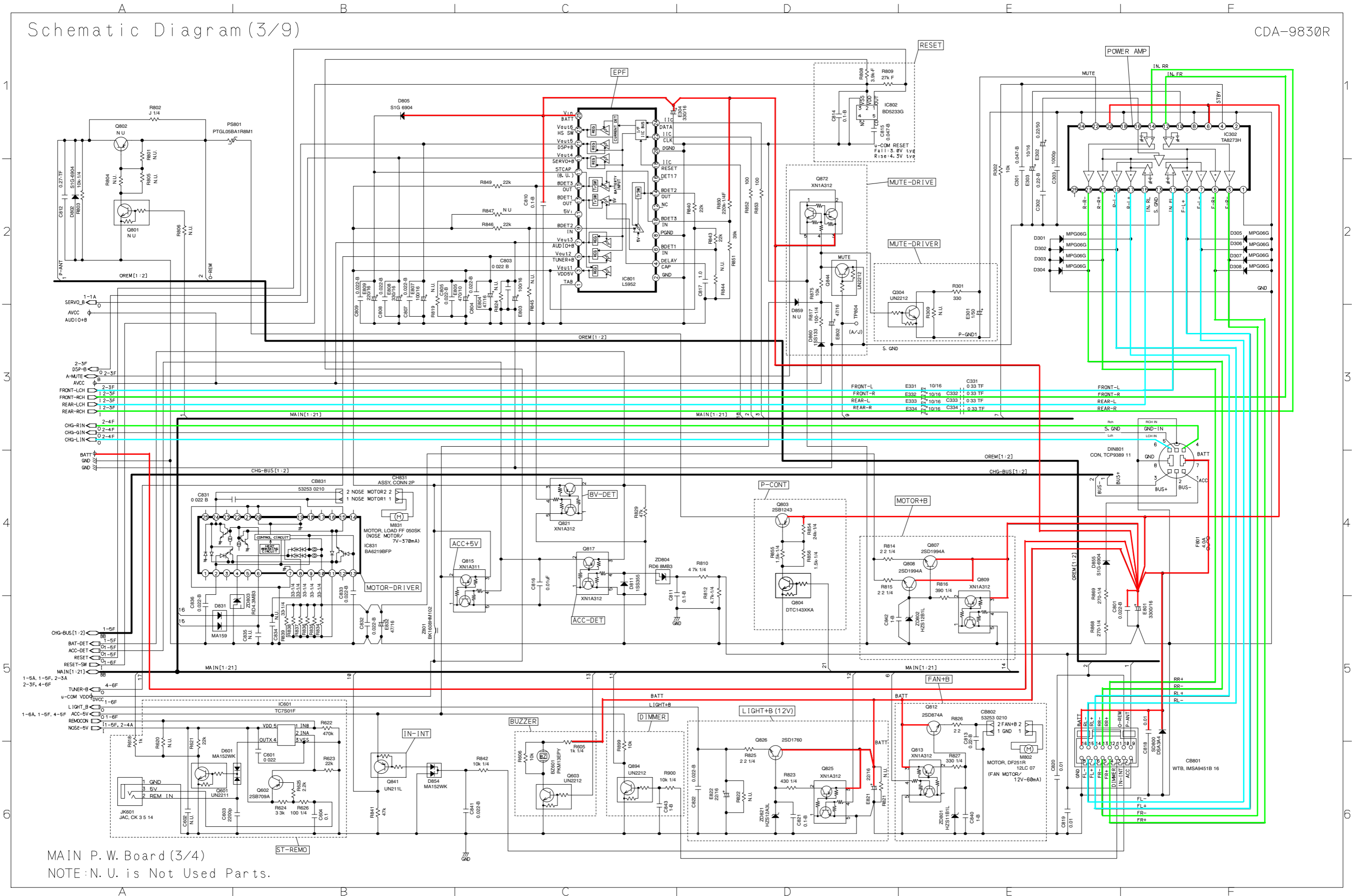
Block Diagram

CDA-9830R



Schematic Diagram (3/9)

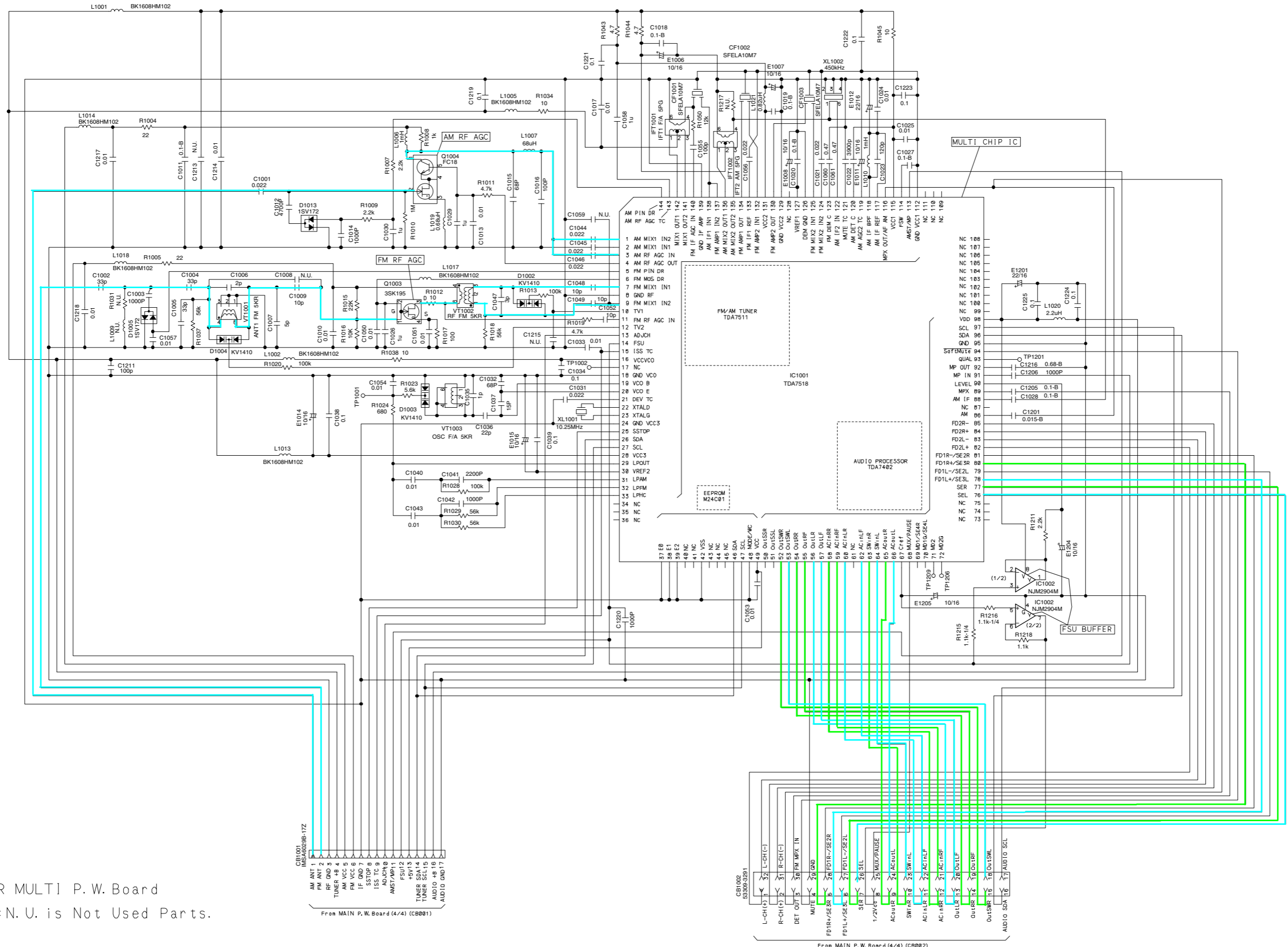
CDA-9830R



MAIN P. W. Board (3/4)
 NOTE: N. U. is Not Used Parts.

Schematic Diagram (5/9)

CDA-9830R



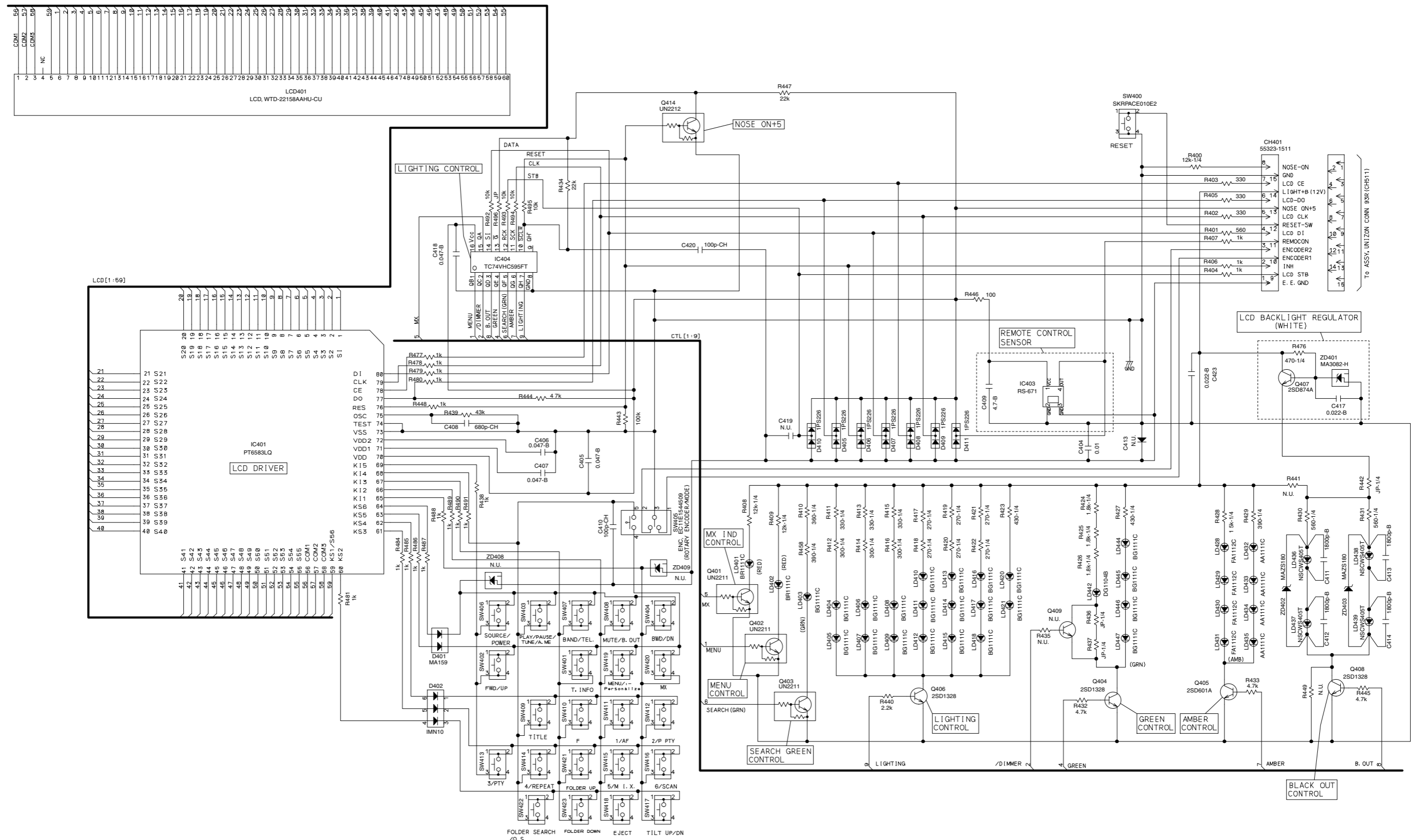
TUNER MULTI P.W. Board
NOTE: N. U. is Not Used Parts.

From MAIN P.W. Board (4/4) (CB001)
AM ANT 1
FM ANT 2
RF GND 3
TUNER #B 4
AM VCC 5
FM VCC 6
IF GND 7
SSTOP 8
L-CH 9
R-CH 10
AMSTAMP 11
FSU1 12
+5V1 13
TUNER SDA14
TUNER SCL15
AUDIO #B 16
AUDIO GND17

From MAIN P.W. Board (4/4) (CB002)
L-CH(+) 32 L-CH(-)
R-CH(+) 31 R-CH(-)
DET OUT 30 FM MPX IN
MUTE 29 GND
FD1R+/SE2R 28 FD1L+/SE2L
FD1L+/SE3L 27 FD1L+/SE3L
SER 26 SEL
1/2VAG 25 MUX/PAUSE
ACoutL 24 ACoutL
SW nL 23 SW nL
ACInL 22 ACInL
ACInR 21 ACInR
OutL 20 OutL
OutR 19 OutR
OutSMR 18 OutSMR
AUDIO SDA 17 AUDIO SCL

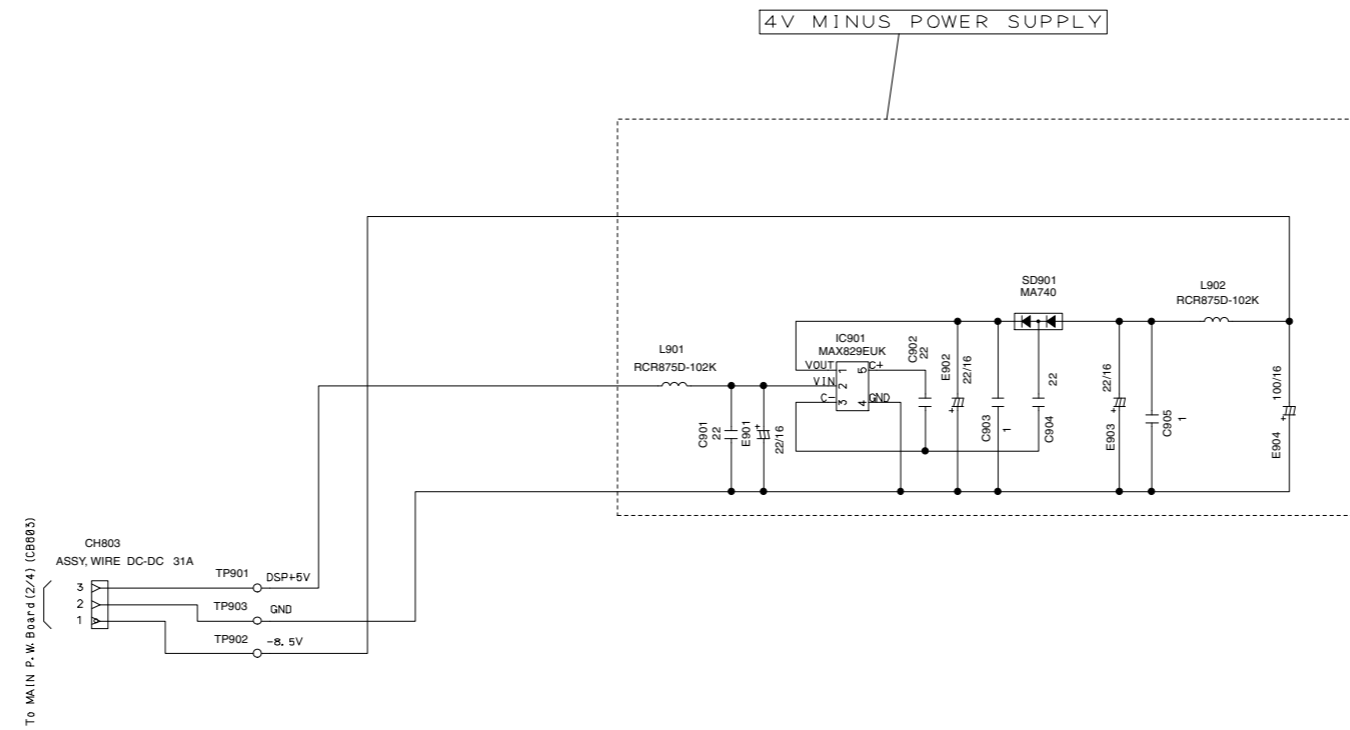
Schematic Diagram (6/9)

CDA-9830R



FRONT P.W. Board
NOTE : N. U. is Not Used Parts.

SW401-404, 406-423 : SKRSPACE10



DC-DC P. W. Board

IC101				
1	PS	8	0	
2	PS	9	0	
3	PS	10	0	
4	PS	11	0	
5	0	12	4.88/0	ZERO MUTE ON/OFF
6	0	13	3.17/0	ZERO MUTE ON/OFF
7	0	14	0/4.89	TUNE/CD

IC102	
1	3.30
2	4.88
3	0

IC104			
1	PS	8	PS
2	PS	9	PS
3	PS	10	PS
4	PS	11	PS
5	0	12	8.39
6	0	13	8.39
7	0	14	8.42

IC201							
1	0	21	2.44	41	NC	61	0
2	4.88	22	NC	42	NC	62	NC
3	PS	23	2.31	43	0	63	NC
4	PS	24	0	44	NC	64	NC
5	0	25	2.42	45	0	65	2.44
6	NC	26	2.42	46	0	66	2.44
7	0	27	PS	47	NC	67	2.44
8	2.43	28	4.88	48	NC	68	PS
9	2.43	29	NC	49	4.86	69	2.44
10	NC	30	PS	50	4.95	70	2.44
11	PS	31	NC	51	NC	71	2.44
12	NC	32	2.41	52	0	72	PS
13	4.88	33	2.41	53	PS	73	NC
14	PS	34	NC	54	PS	74	0
15	2.43	35	0	55	NC	75	NC
16	NC	36	NC	56	NC	76	2.44
17	2.43	37	4.88	57	NC	77	NC
18	0	38	0	58	4.86	78	4.88
19	NC	39	0	59	0	79	2.44
20	2.44	40	NC	60	0	80	NC

IC202			
1	PS	5	4.16
2	PS	6	4.16
3	PS	7	4.16
4	0	8	8.42

IC403		
1	4.78	
2	0	
3	0	
4	0.54/PS	Others/REMOTE

IC404					
1	4.93/0	MENU RED ON/OFF	9	NC	
2	0/4.92	DIMMER ON/OFF	10	2.89	
3	0/4.94	BACK OUT ON/OFF	11	PS	
4	4.91/0	GRN ON/OFF	12	4.92	
5	PS/4.92	SEA ON/OFF	13	0	
6	4.91/0	AMB ON/OFF	14	PS	
7	4.89		15	4.93/0	MX RED ON/OFF
8	0		16	4.95	

IC501-1					
1	NC		35	PS	
2	PS		36	PS	
3	PS		37	4.91	
4	PS		38	4.93	
5	PS		39	0	
6	0		40	4.93	
7	0		41	4.93	
8	PS		42	PS	
9	PS		43	PS	
10	4.94		44	4.93/0	FAN ON/OFF
11	PS		45	4.92	
12	0		46	4.92	
13	PS		47	4.87/0	IN DIMMER ON/OFF
14	4.93		48	4.94/0	PWR IC ON/OFF
15	4.92		49	4.89	
16	4.89		50	NC	
17	4.92		51	0/4.93	A-MUTE ON/OFF
18	4.89		52	4.88/0	IN-INT ON/OFF
19	4.93		53	NC	
20	0/4.78	TUNE/CD	54	NC	
21	NC		55	NC	
22	PS/0	BUZZER ON/OFF	56	NC	
23	PS		57	NC	
24	0/4.88	TUNE/CD	58	0	
25	0/4.86	TUNE/CD	59	PS	
26	NC		60	4.95	
27	PS		61	PS	
28	PS		62	0	
29	PS		63	NC	
30	PS		64	NC	
31	NC		65	4.94	
32	NC		66	0	
33	0/PS	TUNE/CD	67	NC	
34	0/PS	TUNE/CD	68	NC	

IC501-2					
69	NC		85	0/4.91	Others/OPEN
70	NC		86	0/4.91	Others/CLOSE
71	PS		87	4.19	
72	NC		88	3.28	
73	0/PS	TUNE/CD	89	PS	
74	4.94/PS	TUNE/CD	90	0	
75	4.94		91	PS/0	TUNE/CD
76	4.94		92	NC	
77	0/4.91	MUTE ON/OFF	93	NC	
78	PS		94	0	
79	4.90		95	2.46	
80	NC		96	4.95	
81	0		97	4.95	
82	4.93		98	NC	
83	4.93		99	NC	
84	4.93		100	NC	

IC502			
1	0	5	PS
2	0	6	PS
3	4.94	7	0
4	0	8	4.95

IC504			
1	PS	5	NC
2	PS	6	PS
3	0	7	PS
4	0	8	4.89

IC505			
1	PS	5	2.44
2	PS	6	PS
3	PS	7	PS
4	0	8	4.89

IC506	
1	8.67
2	0
3	4.93

IC601	
1	PS
2	PS
3	0
4	PS
5	4.91

IC602			
1	0	5	0
2	PS	6	PS
3	PS	7	PS
4	0	8	4.92

IC801							
1	0		11	NC		21	4.94
2	0		12	NC		22	PS
3	4.95		13	NC		23	NC
4	4.24		14	0		24	PS
5	8.24/0	TUNE/CD	15	2.74		25	14.4
6	4.94		16	NC			
7	8.42		17	13.68			
8	0		18	4.94			
9	4.94		19	0/6.93	TUNE/CD		
10	2.2		20	0			

IC802	
1	4.93
2	4.94
3	0
4	NC
5	2.62

IC831					
1	0		14	NC	
2	NC		15	0/4.13	Others/CLOSE
3	NC		16	NC	
4	0/3.83	Others/SWING	17	NC	
5	NC		18	NC	
6	0/3.93	Others/OPEN	19	0	
7	0		20	0	
8	0/3.91	Others/CLOSE	21	0	
9	NC		22	NC	
10	12.31		23	NC	
11	12.31		24	0/4.08	Others/OPEN
12	NC		25	NC	
13	0				

IC901	
1	-4.42
2	4.88
3	-2.08
4	0
5	2.59

IC1001-1					
1	0/2.36	FM/AM	21	3.26/4.30	FM/AM
2	0/2.36	FM/AM	22	PS	
3	0/2.35	FM/AM	23	PS	
4	0/PS	FM/AM	24	0	
5	0		25	3.20/0	Receiving/Others
6	7.87		26	PS	
7	2.03/0	FM/AM	27	PS	
8	0		28	8.27	
9	2.03/0	FM/AM	29	PS	
10	PS		30	2.54	
11	0.77		31	2.54	
12	PS		32	2.54	
13	0.12/PS	Receiving/Others	33	2.53	
14	PS		34	NC	
15	0/PS	Receiving/Others	35	NC	
16	8.25		36	NC	
17	PS		37	0	
18	0		38	0	
19	3.83		39	0	
20	3.35		40	NC	

IC1001-2					
41	NC		93	NC	
42	0		94	3.63	
43	NC		95	0	
44	NC		96	PS	
45	NC		97	PS	
46	PS		98	8.40	
47	PS		99	NC	
48	0		100	NC	
49	4.93		101	NC	
50	NC		102	NC	
51	NC		103	NC	
52	PS		104	NC	
53	PS		105	NC	
54	PS		106	NC	
55	PS		107	NC	
56	PS		108	NC	
57	PS		109	NC	
58	PS		110	NC	
59	PS		111	NC	
60	PS		112	0	
61	NC		113	0	
62	PS		114	PS	
63	PS		115	8.17	
64	PS		116	PS/3.13	TUNE/Others
65	PS		117	3.81	
66	PS		118	PS/3.78	AM Receiving/Others
67	4.16		119	3.11	
68	PS/4.16	Receiving/Others	120	PS/2.81	AM Receiving/Others
69	NC		121	2.87	
70	NC		122	3.87	
71	4.13		123	2.58	
72	4.14		124	4.30	
73	NC		125	PS/4.31	Receiving/Others
74	NC		126	0	
75	NC		127	5.07	
76	PS		128	NC	
77	PS		129	0	
78	PS		130	PS/3.92	Receiving/Others
79	PS		131	7.95	
80	PS		132	PS/1.92	FM Receiving/Others
81	PS		133	1.92	
82	PS		134	PS/3.95	FM Receiving/Others
83	PS		135	PS/8.20	AM Receiving/Others
84	PS		136	PS/8.20	AM Receiving/Others
85	PS		137	1.92	
86	PS/4.11	TUNE/Others	138	1.92	
87	NC		139	0	
88	PS		140	3.66	
89	PS		141	8.21	
90	PS		142	8.21	
91	PS		143	6.95/3.75	FM/AM
92	PS		144	0.37/0.28	MW/LW

IC1002				
1	PS	Receiving	5	4.15
2	PS	Receiving	6	4.15
3	PS	Receiving	7	4.15
4	0		8	8.38

Ref. No.	E	C	B	NOTE
Q001	8.24	0.12/8.17	8.17/7.47	FM/AM
Q002	8.27	8.20/2.05	2.63/8.26	FM/AM
Q006	0	8.20	0	
Q008	0	PS	PS	
Q103	3.31	0/3.25	3.31/2.59	TUNE/CD
Q104	0	3.31/0	0/4.84	TUNE/CD
Q304	0	4.12/0	0/3.50	A-MUTE OFF/ON
Q401	0	0.03/10.30	4.93/0	MX RED ON/OFF
Q402	0	0.03/10.33	4.93/0	MENU RED ON/OFF
Q403	0	PS/0.08	PS/4.92	SEA ON/OFF
Q404	0	0	0.69	
Q405	0	0.07/6.43	0.74/0	AUDIO AMB ON/OFF
Q406	0	0	0.73	
Q407	8.0	11.54	8.63	
Q408	0	0.03/3.77	0.72/0	BACK OUT ON/OFF
Q414	0	0	4.20	
Q502	8.72	14.38	9.33	
Q503	8.72	14.38	9.33	
Q505	4.89	PS	PS	
Q506	4.95	1.94	4.94	
Q507	0	PS	PS	
Q601	0	PS	PS	REMOTE
Q602	4.91	PS	PS	REMOTE
Q603	0	PS/14.38	PS/0	BUZZER ON/OFF
Q606	0	8.67	0	
Q803	14.40	14.39	13.71	
Q804	0	0	4.85	
Q807	12.43	14.38	12.98	
Q808	12.43	14.38	12.98	
Q812	10.1/0.14	14.39/14.39	10.72/0.24	FAN ON/OFF
Q826	11.92	14.38	12.60	
Q841	4.88	0/4.86	4.87/3.14	IN-INT OFF/ON
Q844	0	0/3.50	4.89/0	A-MUTE OFF/ON
Q894	0	4.87/0	0/9.66	IN DIMMER OFF/ON

Ref. No.	1	2	3	4	NOTE
Q1003	2.51/0.64	7.91/7.87	7.92/2.05	0.87/0	FM/AM

Ref. No.	1	2	3	4	5	NOTE
Q005	0	4.79	4.91	8.15	0	
Q101	8.42/0	0.27/8.37	8.44	0/4.78	0	TUNE/CD
Q102	4.89/0.11	0/4.84	4.91	0/4.78	0	TUNE/CD
Q201	0	8.40	0	0	4.71	
Q501	0	14.33	14.38	4.89	0	
Q809	0	14.35	14.39	4.69	0	
Q813	14.34/0	0.3/14.3	14.4	0/4.89	0	FAN OFF/ON
Q815	0	4.88	4.94	4.88	0	
Q817	0	4.88	4.90	6.52	0	
Q821	0	4.90	4.94	2.72	0	
Q825	0	14.35	14.40	4.89	0	
Q872	14.34/0	-0.2/14.34	14.4	0/3.49	0	A-MUTE OFF/ON
Q901	0.12	4.80	4.81	4.89	0	
Q1004	0.23/7.68	0/0	0/0	0/2.76	0/2.88	FM/AM

Ref. No.	1	2	3	4	5	6	NOTE
Q311	0/PS	0	0/PS	6.3/-0.3	0	6.31/-0.3	A-MUTE ON/OFF
Q312	0/PS	0	0/PS	6.3/-0.3	0	6.31/-0.3	A-MUTE ON/OFF
Q313	0/PS	0	0/PS	6.3/-0.3	0	6.31/-0.3	A-MUTE ON/OFF
Q604	PS	4.91	PS	PS	4.91	PS	

[Measuring Conditions]

- 1.Power Supply Voltage : DC14.4V
2.Measuring Meter : Digital Multi Meter
3.Measuring Point Reference : Between GND
4.Measuring Condition : FM : 98.1MHz
MW : 999KHz
LW : 216KHz
CD : at playing Disc

IC201									
1	PS	17	L	33	1.6	49	L	65	PS
2	PS	18	L	34	1.6	50	H	66	L
3	L	19	PS	35	L	51	L	67	L
4	H	20	L	36	L	52	PS	68	L
5	L	21	1.6	37	1.6	53	PS	69	L
6	L	22	1.6	38	L	54	1.4	70	L
7	L	23	H	39	L	55	PS	71	H
8	H	24	1.6	40	L	56	L	72	H
9	L	25	1.6	41	L	57	L	73	1.6
10	L	26	1.6	42	1.6	58	PS	74	L
11	L	27	1.6	43	L	59	PS	75	1.6
12	H	28	1.6	44	1.6	60	H	76	H
13	L	29	1.6	45	1	61	H	77	L
14	L	30	1.6	46	L	62	PS	78	L
15	L	31	1.6	47	1.6	63	L	79	PS
16	L	32	1.6	48	L	64	PS	80	PS

IC401							
1	L	9	1.6	17	1.65	25	1.65
2	2.76	10	1.6	18	1.65	26	1.65
3	H	11	2.12	19	1.65	27	1.65
4	1.6	12	L	20	1.65	28	1.65
5	1.6	13	1.9	21	1.65	29	1.65
6	2.5	14	L	22	1.65	30	1.65
7	0.78	15	H	23	1.65	31	1.65
8	1.7	16	L	24	0.86	32	1.65

IC501			
1	2.5	5	2.5
2	2.5	6	2.5
3	2.5	7	2.5
4	L	8	5

IC503	
1	L
2	8
3	3.3
4	L

IC504	
1	5
2	L
3	8

IC601							
1	1.65	8	7	15	H	22	1.65
2	L	9	L	16	H	23	1.65
3	1.65	10	L	17	H	24	1.65
4	1.65	11	H	18	H	25	1.65
5	1.65	12	H	19	L	26	1.65
6	1.65	13	H	20	L	27	1.65
7	1.65	14	H	21	L	28	L

	E	C	B
Q401	3.3	L	3.12

[Measuring Conditions]

1. Power Supply Voltage : DC14.4V
2. Measuring Meter : Digital Multi Voltmeter
3. Measuring Point Reference : Between GND
4. Measuring Condition : at playing Disc

Description of IC Terminal

D78F4216AGC : IC001

No.	Symbol	I/O	Terminal Description
1	IF MUTE	O	IF MUTE control terminal. (H:IF MUTE ON)
2	NC	-	No connect terminal.
3			
4	RDS-CONT	O	RDS data input prevention control terminal of adjoining station. (H:RDS OFF)
5	IF MUTE(NC)	-	No connect terminal.
6	NC		
7			
8			
9	VDD	-	Power supply terminal.
10	X2	-	Crystal OSC connect terminal for main system clock OSC. (12.288MHz)
11	X1		
12	VSS	-	GND terminal.
13	XT2(NC)	-	No connect terminal.
14	XT1(GND)	-	GND terminal.
15	RESET	I	System reset input terminal.
16	BATT-DET	I	BATT compulsion stand-by signal input terminal from VDD IC.
17	STANDBY	I	Stand-by signal input terminal from Main μ -COM.
18	NC	-	No connect terminal.
19	IS BUS Fin	I	IS BUS frame signal input terminal.
20	NC	-	No connect terminal.
21			
22			
23	AVDD	-	Analog power supply terminal of A/D converter.
24	AVREF0	I	Standard voltage input terminal of A/D converter.
25	S-METER	I	Signal-Meter input terminal.
26	MULTIPATH	I	Multipath input terminal of RDS Decoder.
27	ADJCH-DET	I	Adjoining station detect input terminal.
28	SSTOP	I	FM station detect signal input terminal.
29	AMST/MP	I	SEEK STOP detect input terminal at AM. (H:Station ON)
30	AFC	I	FM station detect signal input terminal.
31	NC(GND)	-	GND terminal.
32			
33	AVSS	-	GND terminal of A/D converter.
34	NC	-	No connect terminal.
35			
36	AVREF1	I	Standard voltage input terminal of D/A converter.
37	IS BUS RX	I	IS BUS receiving terminal.
38	IS BUS TX	O	IS BUS transmitting terminal.
39	IS BUS Fout	O	IS BUS frame signal output terminal.
40	MONITOR RXD	I	Command input terminal for RDS monitor (P/C). (Pull-up connect)
41	MONITOR TXD	O	Status output terminal for RDS monitor (P/C).
42	NC	-	No connect terminal.
43			
47			
48	T-MUTE	O	MUTE signal output terminal to Main μ -COM.
49	NC	-	No connect terminal.
50			

No.	Symbol	I/O	Terminal Description
51	MARKET1	I	Area set up terminal.
52	MARKET2		
53	MARKET3		
54	AUTOADJ	I	Auto adjustment start signal terminal of FM/AM TUNER. (L:start)
55	NC	-	No connect terminal.
71			
72			
73	NC	-	No connect terminal.
80			
81			
82	NC	-	No connect terminal.
91			
92			
93	DAVN	I	Data available input terminal of RDS Decoder.
94	TEST/VPP	-	GND terminal.
95	RDS SDA	I/O	Data input/output terminal to RDS Decoder.
96	RDS SCL	O	Clock output terminal to RDS Decoder.
97	IIC SCL	O	I2C clock output terminal to TUNER-IC(TDA7511).
98	IIC SDA	I/O	I2C data input/output terminal to TUNER-IC(TDA7511).
99	TUNER ON(NC)	-	No connect terminal.
100	FM/AM	O	FM/AM power supply switching terminal. (L:FM)

M30626FHPGP : IC501

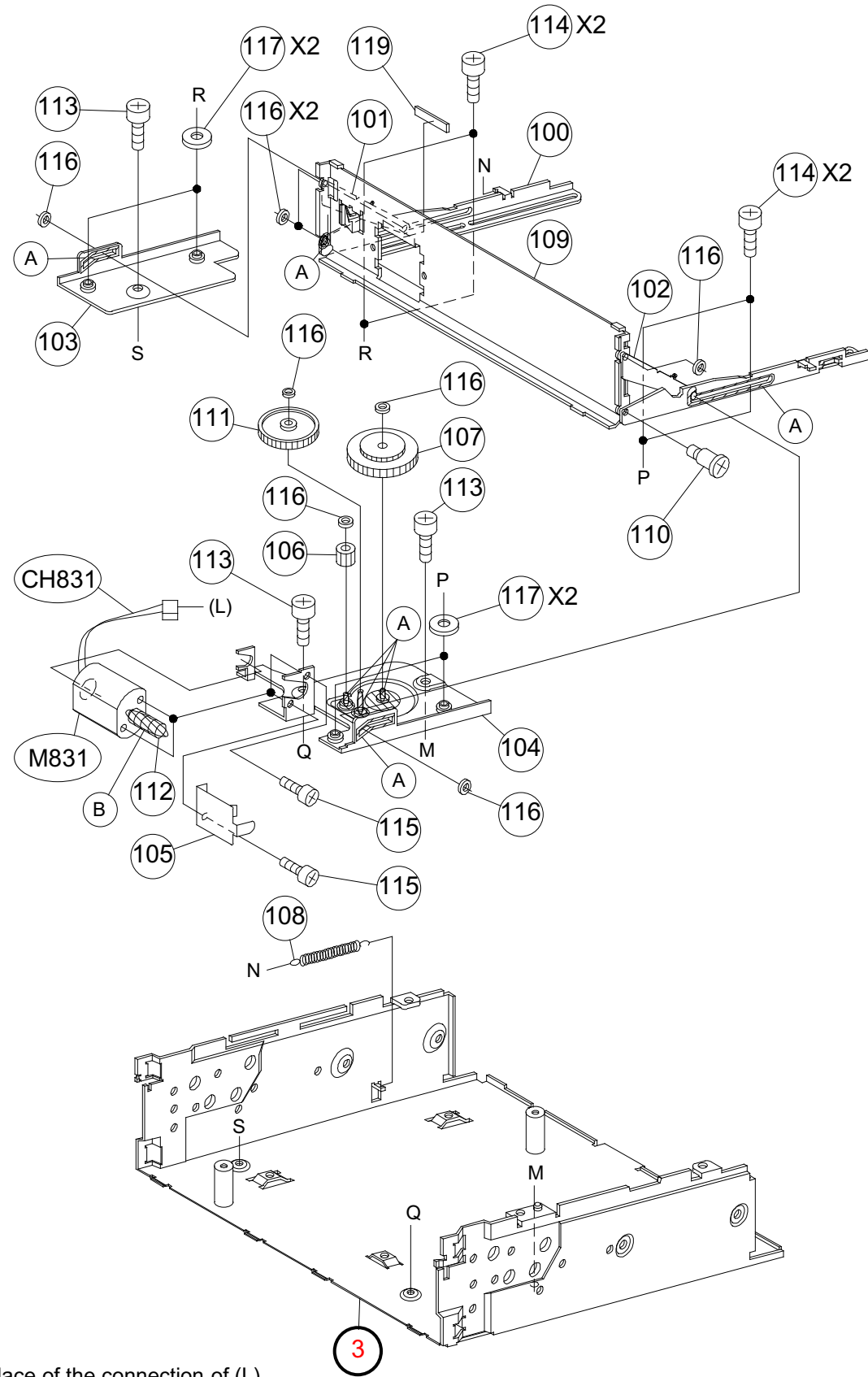
No.	Symbol	I/O	Terminal Description
1	NC	-	No connect terminal.
2	REMOCON DATA	I	Remote control input terminal.
3	LCD DO	O	Serial DATA signal output terminal to LCD Driver.
4	LCD DI	I	Serial DATA signal input terminal from LCD Driver.
5	LCD CLK	O	Serial clock signal output terminal to LCD Driver.
6	GND(BYTE)	-	GND terminal.
7	GND(CNVss)		
8	32.768kHz	I	Crystal OSC connect terminal for sub system clock OSC.
9		O	
10	RESET	I	System RESET input terminal.
11	6MHz	O	Crystal OSC connect terminal for main system clock OSC.
12	GND	-	GND terminal.
13	6MHz	I	Crystal OSC connect terminal for main system clock OSC.
14	VCC	-	Power supply terminal.
15	NMI	-	Pull-up connect terminal.
16	8V-DET	I	8V ON detection input terminal.
17	ACC-DET	I	ACC ON detection signal input terminal.
18	BATT-DET	I	BATT ON detection signal input terminal.
19	BL LED	O	LED control signal output terminal for LCD backlight.
20	V-CONT	O	CD BATT power supply control signal output terminal.
21	NC	-	No connect terminal.
22	BUZZER	O	BUZZER signal output terminal.

No.	Symbol	I/O	Terminal Description
23	BUS-IN	I	Ai-NET BUS signal input terminal.
24	CD RST	O	System RESET output terminal to CD u-COM.
25	CD STBY	O	Active stand-by request signal output terminal to CD u-COM.
26	NC	-	No connect terminal.
27	BUS IN	I	Ai-NET BUS signal input terminal.
28	BUS OUT	O	Ai-NET BUS signal output terminal.
29	RDS TXD	O	Command DATA signal output terminal to RDS u-COM.
30	RDS RXD	I	Status DATA signal input terminal from RDS u-COM.
31	NC	-	No connect terminal.
32			
33	CD TXD	O	Serial DATA output terminal to CD Mechanism.
34	CD RXD	I	Serial DATA input terminal from CD Mechanism.
35	CD CLK	O	Serial clock output terminal to CD Mechanism.
36	LCD-CE	O	Chip enable signal output terminal to LCD Driver.
37	LCD INH	O	INH Signal output terminal to LCD Driver.
38	LPF1	O	Control signal output terminal to LPF.
39	LPF2		
40	NOSE PWR	O	NOSE around power supply control signal output terminal.
41	LCD STB	O	RCK Signal output terminal to shift register.
42	IIC-DATA	I/O	I2C serial DATA input/output terminal.
43	IIC-CLK	O	I2C serial clock output terminal.
44	FAN CONT	O	FAN control output terminal.
45	ENCODER2	I	Encoder-2 input terminal.
46	ENCODER1	I	Encoder-1 input terminal.
47	IN DIMMER	I	Outernal DIMMER detection signal input terminal.
48	PWR IC ON	O	POWER-IC stand-by control signal output terminal.
49	O.REM	O	REMOTE ON signal output terminal for outernal AMP.
50	NC	-	No connect terminal.
51	A-MUTE	O	A-MUTE signal output terminal.
52	IN INT	I	Outernal interrupt signal input terminal. (at interrupt:H)
53	NC	-	No connect terminal.
54			
57			
58	ZERO DET	I	0 Bit MUTE signal input terminal from CD u-COM.
59	IIC-DATA	I/O	I2C serial DATA input/output terminal.
60	VCC	-	Power supply terminal.
61	IIC-CLK	O	I2C serial clock output terminal.
62	GND	-	GND terminal.
63	NC	-	No connect terminal.
64			
65	XRST(DSP)	O	RESET signal output terminal to DSP-IC.
66	AREA	I	AREA/Function definition terminal.
67	NC	-	No connect terminal.
68			
70			
71	RDS FIN	I	Status DATA signal input terminal from RDS u-COM.
72	NC	-	No connect terminal.
73	CD FIN	I	Frame input terminal.


No.	Symbol	I/O	Terminal Description
74	CD FOUT	O	Frame output terminal.
75	REG RESET	O	RESET signal output terminal to system Regulator IC.
76	RDS RESET	O	RESET control signal output terminal to RDS u-COM.
77	T-MUTE	I	A-MUTE signal input terminal from RDS u-COM.
78	RDS FOUT	O	DATA output signal output terminal to RDS u-COM.
79	RDS STBY	O	Stand-by signal output terminal to RDS u-COM.
80	NC	-	No connect terminal.
81	DOOR LED	O	ESC LED lighting control output terminal.
82	LIMIT SW1	I	OPEN LIMIT SW signal input terminal. (H:SW OFF, L:SW ON)
83	LIMIT SW2	I	CLOSE LIMIT SW signal input terminal. (H:SW OFF, L:SW ON)
84	MOTOR ON	O	Power supply control terminal for unizon MOTOR.
85	MOTOR FOR	O	Unizon MOTOR forward driving signal output terminal.
86	MOTOR REV	O	Unizon MOTOR backward driving signal output terminal.
87	HI-TEMP	I	CD HI-TEMP input terminal.
88	CD IN SW	I	CD DISC-IN detection signal input terminal.
89	AUDIO	I	A/D DATA input terminal from AUDIO signal.
90	NC(PULL-DOWN)	-	Pull-down connect terminal.
91	AFC	I	AFC signal input terminal.
92	NC	-	No connect terminal.
93			
94	GND	-	GND terminal of A/D Converter.
95	NOSE DET	I	NOSE detachable detection terminal.
96	VCC	I	Standard voltage input terminal of A/D Converter.
97		I	Power supply input terminal of A/D Converter.
98	NC	-	No connect terminal.
99			
100			

No.	Symbol	I/O	Terminal Description
48	SSEL	O	BCLK output signal terminal.
49	SCK	I	PF-BUS2 communication SCK signal terminal.
50	CVSS	-	GND connect terminal. (+1.6V)
51	HINT(PULL-DOWN)	-	Pull-down connect terminal.
52	CVDD	-	Power supply terminal. (+1.6V)
53	MSEL	O	LRCLK output signal terminal. (LR polarity, SMCK fixation)
54	CS	I	EPF-BUS2 communication CS signal terminal.
55	HRDY(PULL-DOWN)	-	Pull-down connect terminal.
56	DVDD	-	Power supply terminal. (+3.3V)
57	DVSS	-	GND connect terminal. (+3.3V)
58	/SRQ	O	EPF-BUS2 communication SRQ signal terminal.
59	PSEL	O	SRDATA output terminal.
60	STS	O	EPF-BUS2 communication STS signal terminal.
61	NC	-	No connect terminal.
62	HBIL(PULL-DOWN)	-	Pull-down connect terminal.
63	STBY	I	STBY demand signal terminal.
64	CLOCK	I	Sub code frame clock signal terminal. (fCLDCK=7.35kHz)
65	BLKCK	I	Sub code block clock signal terminal. (fBLDCK=75Hz)
66	IPFLAG	I	Interpolation flag signal input terminal. (H : Interpolation)
67	/SCK	I	EPF-BUS2 communication Logic reversal signal terminal of SCK.
68	CVDD	-	Power supply terminal. (+1.6V)
69	SW-A	I	DISC position detection SW-A input terminal.
70	CVSS	-	GND connect terminal. (+1.6V)
71	NC	-	No connect terminal.
72	DVSS	-	GND connect terminal. (+3.3V)
73	SW-C	I	DISC position detection SW-C input terminal.
74	S/PDIF	O	Digital. data (SPDIF) output terminal.
75	DVDD	-	Power supply terminal. (+3.3V)
76	DVSS	-	GND connect terminal. (+3.3V)
77	PULL-UP	-	Pull-up connect terminal.
78	PULL-DOWN	-	Pull-down connect terminal.
79	PULL-DOWN		
80	HPI16(PULL-DOWN)		
81	SW-B		DISC position detection SW-B input terminal.
82	NC	-	No connect terminal.
83	EMU0	I	Emulator terminal.
84	EMU1/OFF		
85	TDO(PULL-DOWN)	-	Pull-down connect terminal.
86	TDI(PULL-DOWN)		
87	TRST(PULL-DOWN)		
88	TCK(PULL-DOWN)		
89	TMS(PULL-DOWN)		
90	CVSS	-	GND connect terminal. (+1.6V)
91	CVDD	-	Power supply terminal. (+1.6V)
92	HPIENA(PULL-DOWN)	-	Pull-down connect terminal.
93	DVSS	-	GND connect terminal. (+3.3V)
94	NC	-	No connect terminal.
95	Load-Motor1	O	LOAD motor control terminal.

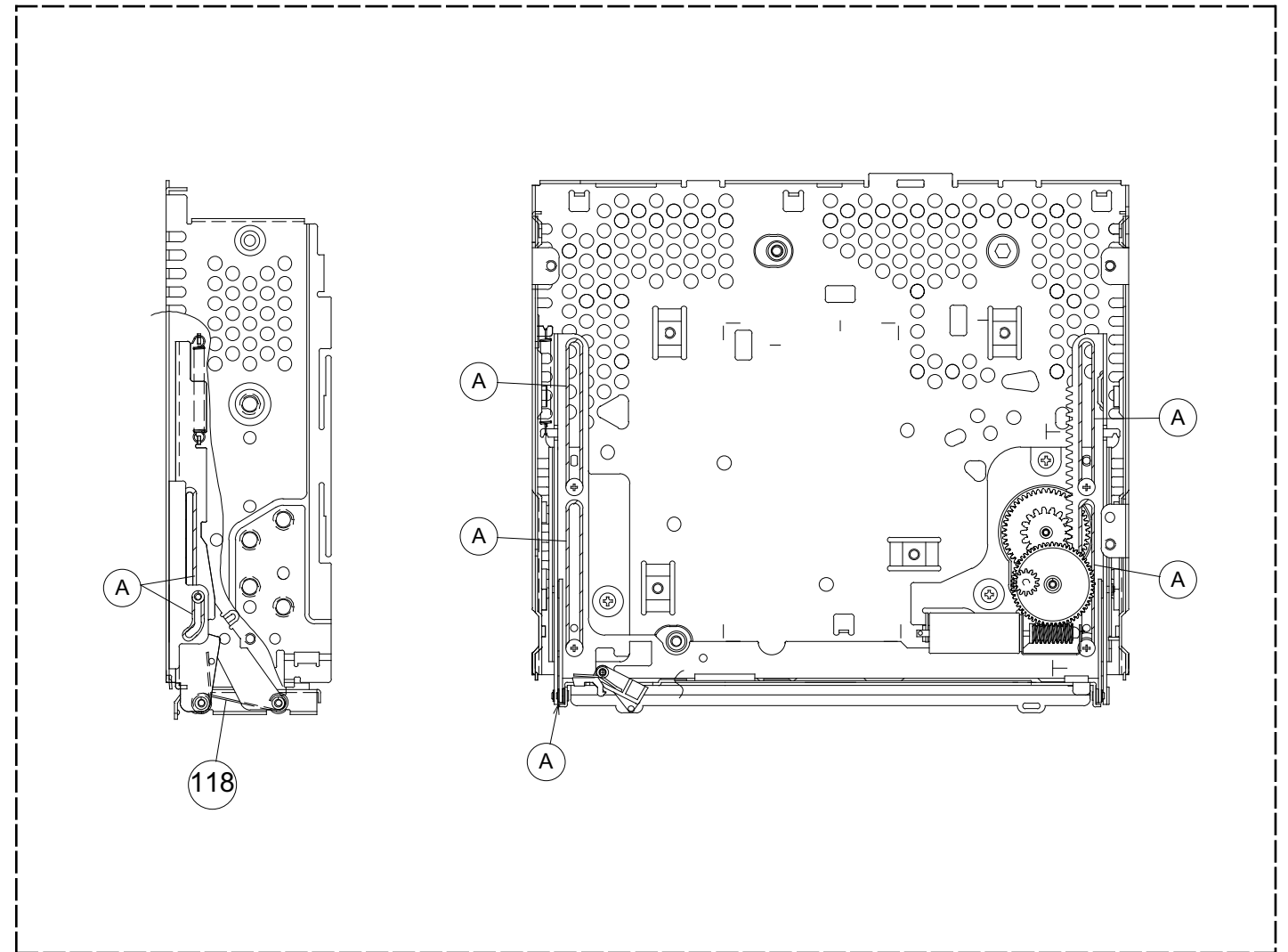
Exploded View (Cabinet) (2/2)



NOTE : The place of the connection of (L) as shown in (), is mentioned in the "Exploded View (Cabinet) (1/2)."

point of GREASE applied.

(A)	GREASE,E-PAST (11S42419J09)
(B)	GREASE,G-8007 (11S41558Y01)



Cabinet Assembly Parts List

NOTE : The part that has not PART NUMBER will not be supplied.

1	01V74800Y49	ASSY,NOSE UNIT 30RT
2	-----	COVER, TOP
3	-----	CHAS, BASE
4	14B04105K01	INS, MAIN(SWING)
5	13B03464K01	NOSE, BASE(CD) ASSY
6	03S60822Y12	SCR, S-T 2.6X6 ZN A
7	13D02363K01	NOSE, BASE COVER
8	03S60822Y22	SCR, S-T 2.6X14 ZN A
9	03T25225Y01	SCR, GND
10	33C04102K01	FACE, PLATE
11	07D00749K01	BKT, SIDE L
12	07D00749K02	BKT, SIDE R
13	-----	HEAT, SINK(SWING)
14	-----	HEAT, SINK(S)
15	03S60825Y04	SCR, B-T 3X8 ZN A
16	81D70427Y01	DP23S27R
17	-----	BKT, MECH(CD)
18	30T03013K10	SMCD22X95BDX6(BL)M
19	26A41622Y01	SHIELD, PLATE(CD)
21	36A04141K02	KNOB, SLIDE
22	09T84840F01	LUG, STYLE 18MM
24	15C03065K01	CASE, SHIELD(A)
25	15C03066K01	CASE, SHIELD(B)
26	14A03067K01	INSULATOR, TUNER
27	-----	BKT, CHAS REAR(SW)
28	-----	BKT, IC
29	14S31545Y16	INS, CVR 59X8XT0.1
30	14S31545Y17	INS, CVR 100X8XT0.1
33	15D01771K01	CASE, LCD ASSY
34	15B01769K01	COVER, LCD
35	26A01773K01	REFLECTOR, SHEET
36	75T03213K03	RUBBER, ELECTRIC
37	13C04079K02	NOSE, PIECE ASSY(L)
38	13D04103K01	NOSE, BOTTOM
39	03S68555F20	SCR, WAVE M1.7X5
40	41A04158K01	SPRING, KNOB
41	36B04099K01	KNOB, ROTARY ASSY
42	03S94385F77	SCR, NYLOK M1.7X3
43	03S60822Y10	SCR, S-T 2.6X5 ZN A
44	75T25010Y78	CUSHION, SHLD10-1-20
45	75T65297Y12	65TS.SLDFOAM10-10-10
46	75T25010Y26	CUSHION, SHLD5-5.5-20
100	07B02259K01	BKT, SLIDER
101	07A01754K01	BKT, ARM(L)
102	07A01754K02	BKT, ARM(R)
103	07A02260K02	BKT, BASE L
104	07C02261K02	BKT, BASE R
105	41A50048Y01	SPRING, WORM
106	44A02263K01	GEAR, ID
107	44A02262K01	GEAR, SLIDER
108	41A50060Y01	SPRING, SLIDE
109	01C01750K01	BKT, FRONT BASE ASSY

CDA-9830R

110	03A20851Y02	SCR,SLIDER
111	44-01037Z01	GEAR,CLUTCH ASSY
112	44A01840K01	GEAR,WORM
113	03S94385F13	SCR,NYLOK M2.6X3
114	03S60820Y06	SCR,MCH 2X3.5 ZNNA
115	03S68259F23	SCR,P-LOCK M2X3
116	04B41345P54	WASHER,LOCK
117	43A50493Y01	BUSH,SLIDER
118	41A50492Y01	SPRING,NOSE
119	75S40755Y50	CUS,RUB 18X4XT2

CD Deck Mechanism Assembly Parts List

NOTE : The part that has not PART NUMBER will not be supplied.

1	01V31800Y79	ASSY,ARM GUIDE
2	27C11557Y02	CHASSIS,TOP
3	45B11564Y02	LEVER,LINK-TOP
4	45B11595Y02	LEVER DISC(R)
5	45B11596Y02	LEVER,DISC(L)
6	41B11613Y16	SPRING,PULL
7	15D50248Y02	GUIDE,TOP-DPS2
9	07C50608Y01	BKT,MOTOR LOAD-P
10	03S40014G07	SCR,MCH M2X4
11	44B11578Y02	GEAR,(A)
12	44B11579Y02	GEAR,(B)
13	44B11580Y02	GEAR,(C)
19	27D11602Y04	CHASSIS,PICKUP
20	47A11575Y01	SHAFT,PICK
21	01V28100Y59	ASSY,SHAFT.SCREW
22	44A70590W03	GEAR,MIDDLE
23	03S72235F96	SCR,MCH M1.7X3.5(SW)
24	07B30337Y02	BKT,SPRING NUT
25	41A11606Y02	SPRING NUT
26	03S94385F18	SCR,NYLOK M2X3.5
27	84T01803K01	PANEL,FPC CONT
28	41B11566Y02	SPRING,SHAFT
29	03S70494F13	SCR,P-TITE M2X6 BLK
30	-----	ASSY,RIV ARM CLAMP
31	-----	LEVER,LOCK
34	43A70141Y02	TABLE,CLAMPER
36	-----	SLIDER,DISC
37	45A11599Y02	LEVER,ACTUATOR
38	41B11613Y03	SPRING,PULL
39	41B11613Y05	SPRING,LEV-ACT
40	41A11609Y01	SPRING,LEVER
42	41B11613Y15	SPRING,PULL
43	41A11040Y02	SPRING,SLED-HOE
44	03S70494F52	SCR,P-TITE M1.4X4.5
45	43A21240Y01	SHEET,FPC PICK
46	-----	ASSY,RIV CHAS BASE
47	45B40510Y02	SLIDER,LOAD
48	44B40527Y02	RACK
49	45A11601Y02	LEVER,TRIGER
50	44B11581Y02	GEAR,(D)
51	45B11594Y02	SLIDER,LOCK(L)
52	45A11592Y02	ARM,LOCK(L2)
53	03A11574Y01	SCREW,LOCK
54	45B11591Y02	ARM,LOCK(L1)
55	07A50606Y01	BKT,MOTOR WIRE-P
56	45B11593Y02	SLIDER,LOCK(R)
57	45B11607Y02	ARM,LOCK(R)
58	45A11597Y02	LEVER,SW
59	41B11613Y04	SPRING,TRIGER
60	75C30466Y14	DAMPER,DPS2
61	41B11613Y06	SPRING,PULL
62	41B11613Y07	SPRING,PULL

CDA-9830R

63	41B11613Y08	SPRING,PULL
64	41A40518Y01	SPRING,ROL
65	41A31894Y02	SPRING,SLIDER
66	-----	BKT,SP-TOP
67	03A21791Y01	SCREW,M2X3.5 S-TITE
68	07B20905Y02	BKT,FPC CONT
69	30T15126W15	WIRE,PC JOINT 7P
72	41A21613Y02	SPRING,SPINDLE
74	14A21415Y02	INS,CVR
75	43A31443Y01	ROLLER,ARM DISC (C)
77	75C30466Y15	DAMPER,DPS2
78	41B11613Y14	SPLING,PULL
79	04B41345P52	WASH,1.6X3.5X0.25
82	44B40523Y02	GEAR,BASE
83	04A40528Y01	WASHER,FELT
84	44A40524Y02	GEAR,CLUTCH
85	41A40529Y01	SPRING,CLUTCH
86	44A40525Y02	GEAR,PINION
87	15A40526Y02	HOLDER,CLUTCH
88	43A41446Y02	SLEEVE,CLUTCH
89	04B41345P25	WASH,L. 3.1X6X0.35
90	03S44205G99	SCR,T-TITE M2X3
92	07A70119Y01	BKT,CLAMPER
93	41A70118Y01	SPG,LEVER
94	75A21286Y05	CUSHION,PWB

Electrical Parts List

* Each parts on P.W.Board are described in order of the reference number.

=====MAIN P.W.Board

BZ601	50T15447Y02	BUZZER,PKM13EPY -R5
C007	08S45676W80	CAP,CER 223K-B1E -CP
C010	08S45676W85	CAP,CER 104K-B1C -CP
C011	08S45676W89	CAP,CER 473K-B1E -CP
C012	08S45677W60	CAP,CER 102J-CH1H-CP
C014	08S45677W48	CAP,CER.331J-CH1H-CP
C015	08S45676W65	CAP,CER.222K-B1H -CP
C016	08S45677W36	CAP,CER.101J-CH1H-CP
C017	08S65674Y05	CAP,CER 105KX5R1C-CP
C018	08S45676W80	CAP,CER 223K-B1E -CP
C019	08S45676W80	CAP,CER 223K-B1E -CP
C020	08S45677W54	CAP,CER 561J-CH1H-CP
C021	08S45676W80	CAP,CER 223K-B1E -CP
C023	08S45677W22	CAP,CER.27RJ-CH1H-CP
C024	08S45677W22	CAP,CER.27RJ-CH1H-CP
C025	08S45676W65	CAP,CER.222K-B1H -CP
C026	08S35349Y17	CAP,CER 225K-B0J -CP
C027	08S45676W85	CAP,CER 104K-B1C -CP
C028	08S45677W12	CAP,CER.10RD-CH1H-CP
C029	08S45677W12	CAP,CER.10RD-CH1H-CP
C031	08S35349Y08	CAP,CER 102K-B1H -CP
C032	08S45676W80	CAP,CER 223K-B1E -CP
C033	08S45677W60	CAP,CER 102J-CH1H-CP
C035	08S45676W80	CAP,CER 223K-B1E -CP
C036	08S45676W80	CAP,CER 223K-B1E -CP
C040	08S45676W65	CAP,CER.222K-B1H -CP
C041	08S45676W80	CAP,CER 223K-B1E -CP
C042	08S45677W07	CAP,CER.5R0C-CH1H-CP
C043	08S45677W07	CAP,CER.5R0C-CH1H-CP
C044	08S45677W07	CAP,CER.5R0C-CH1H-CP
C045	08S82122F32	CAP,CER.62RJ-CH1H-CP
C046	08S82122F27	CAP,CER.39RJ-CH1H-CP
C047	08S82122F19	CAP,CER.18RJ-CH1H-CP
C101	08S45676W80	CAP,CER 223K-B1E -CP
C107	08S45676W80	CAP,CER 223K-B1E -CP
C201	08S45676W73	CAP,CER.103K-B1H -CP
C202	08S65667Y01	CAP,CER 224KX5R1C-CP
C203	08S35374W01	CAP,CER 104K-B1E-CP
C204	08S65667Y01	CAP,CER 224KX5R1C-CP
C205	08S65676Y03	CAP,CER 225KX7R1C-CP
C206	08S65676Y03	CAP,CER 225KX7R1C-CP
C207	08S45676W73	CAP,CER.103K-B1H -CP
C208	08S45676W65	CAP,CER.222K-B1H -CP
C209	08S45676W65	CAP,CER.222K-B1H -CP
C210	08S65667Y01	CAP,CER 224KX5R1C-CP
C211	08S65667Y01	CAP,CER 224KX5R1C-CP
C212	08S65667Y01	CAP,CER 224KX5R1C-CP
C213	08S65667Y01	CAP,CER 224KX5R1C-CP
C214	08S45677W14	CAP,CER.12RJ-CH1H-CP
C215	08S45677W14	CAP,CER.12RJ-CH1H-CP
C216	08S65674Y05	CAP,CER 105KX5R1C-CP

C217	08S45676W69	CAP,CER.472K-B1H -CP
C218	08S45676W69	CAP,CER.472K-B1H -CP
C219	08S45676W69	CAP,CER.472K-B1H -CP
C220	08S45676W69	CAP,CER.472K-B1H -CP
C225	08S45677W36	CAP,CER.101J-CH1H-CP
C231	08S65674Y05	CAP,CER 105KX5R1C-CP
C232	08S45677W25	CAP,CER 36RJ-CH1H-CP
C233	08S65674Y05	CAP,CER 105KX5R1C-CP
C266	08S65674Y05	CAP,CER 105KX5R1C-CP
C267	08S65674Y05	CAP,CER 105KX5R1C-CP
C271	08S65674Y05	CAP,CER 105KX5R1C-CP
C272	08S65674Y05	CAP,CER 105KX5R1C-CP
C280	08S65674Y05	CAP,CER 105KX5R1C-CP
C281	08S65674Y05	CAP,CER 105KX5R1C-CP
C282	08S65674Y05	CAP,CER 105KX5R1C-CP
C283	08S65674Y05	CAP,CER 105KX5R1C-CP
C301	08S65128F90	CAP,CER 473K-B1H -CP
C302	08S65667Y01	CAP,CER 224KX5R1C-CP
C303	08S45677W60	CAP,CER 102J-CH1H-CP
C304	08S45677W16	CAP,CER.15RJ-CH1H-CP
C305	08S45677W16	CAP,CER.15RJ-CH1H-CP
C306	08S45677W16	CAP,CER.15RJ-CH1H-CP
C307	08S45677W16	CAP,CER.15RJ-CH1H-CP
C311	08S45677W24	CAP,CER 33RJ-CH1H-CP
C312	08S45677W24	CAP,CER 33RJ-CH1H-CP
C313	08S45677W24	CAP,CER 33RJ-CH1H-CP
C314	08S45677W24	CAP,CER 33RJ-CH1H-CP
C315	08S45677W24	CAP,CER 33RJ-CH1H-CP
C316	08S45677W24	CAP,CER 33RJ-CH1H-CP
C331	08T25628Y01	CAP,TF 334M-1C -CP
C332	08T25628Y01	CAP,TF 334M-1C -CP
C333	08T25628Y01	CAP,TF 334M-1C -CP
C334	08T25628Y01	CAP,TF 334M-1C -CP
C340	08S65676Y03	CAP,CER 225KX7R1C-CP
C341	08S65676Y03	CAP,CER 225KX7R1C-CP
C342	08S65676Y03	CAP,CER 225KX7R1C-CP
C343	08S65676Y03	CAP,CER 225KX7R1C-CP
C344	08S65676Y03	CAP,CER 225KX7R1C-CP
C345	08S65676Y03	CAP,CER 225KX7R1C-CP
C350	08S65676Y03	CAP,CER 225KX7R1C-CP
C351	08S65676Y03	CAP,CER 225KX7R1C-CP
C352	08S65676Y03	CAP,CER 225KX7R1C-CP
C353	08S65676Y03	CAP,CER 225KX7R1C-CP
C354	08S65676Y03	CAP,CER 225KX7R1C-CP
C355	08S65676Y03	CAP,CER 225KX7R1C-CP
C360	08T65463Y01	CAP,CER 335K-B1A -CP
C361	08T65463Y01	CAP,CER 335K-B1A -CP
C362	08T65463Y01	CAP,CER 335K-B1A -CP
C363	08T65463Y01	CAP,CER 335K-B1A -CP
C503	08S45676W80	CAP,CER 223K-B1E -CP
C504	08S45677W22	CAP,CER.27RJ-CH1H-CP
C505	08S45677W22	CAP,CER.27RJ-CH1H-CP
C507	08S45677W36	CAP,CER.101J-CH1H-CP
C509	08S45676W73	CAP,CER.103K-B1H -CP
C510	08S45677W36	CAP,CER.101J-CH1H-CP
C511	08S65676Y05	CAP,CER 105KX7R1E-CP
C512	08S65669Y01	CAP,CER 334KX7R1E-CP

CDA-9830R

C513	08S45677W22	CAP,CER.27RJ-CH1H-CP
C514	08S45676W85	CAP,CER 104K-B1C -CP
C516	08S45676W80	CAP,CER 223K-B1E -CP
C601	08S45676W80	CAP,CER 223K-B1E -CP
C603	08S45676W65	CAP,CER.222K-B1H -CP
C604	08S45676W85	CAP,CER 104K-B1C -CP
C630	08S45676W85	CAP,CER 104K-B1C -CP
C801	08S65128F78	CAP,CER.223K-B1H -CP
C803	08S45676W80	CAP,CER 223K-B1E -CP
C804	08S45676W80	CAP,CER 223K-B1E -CP
C805	08S45676W80	CAP,CER 223K-B1E -CP
C807	08S45676W80	CAP,CER 223K-B1E -CP
C808	08S45676W80	CAP,CER 223K-B1E -CP
C809	08S45676W80	CAP,CER 223K-B1E -CP
C810	08S65128F88	CAP,CER 104K-B1H -CP
C811	08S45676W85	CAP,CER 104K-B1C -CP
C812	08T55390W34	CAP,TF 274J-1H -R5
C813	08S60102F40	CAP,CER 224K-B1E -CP
C814	08S45676W85	CAP,CER 104K-B1C -CP
C815	08S45676W89	CAP,CER 473K-B1E -CP
C816	08S45676W73	CAP,CER.103K-B1H -CP
C817	08S65676Y05	CAP,CER 105KX7R1E-CP
C818	08S45539Y04	CAP,CER 103KX7R2J-CP
C819	08S45539Y04	CAP,CER 103KX7R2J-CP
C820	08S45539Y04	CAP,CER 103KX7R2J-CP
C821	08S35374W01	CAP,CER 104K-B1E-CP
C822	08S65128F78	CAP,CER.223K-B1H -CP
C831	08S45676W80	CAP,CER 223K-B1E -CP
C832	08S45676W80	CAP,CER 223K-B1E -CP
C833	08S45676W80	CAP,CER 223K-B1E -CP
C836	08S45676W80	CAP,CER 223K-B1E -CP
C840	08S65674Y05	CAP,CER 105KX5R1C-CP
C841	08S45676W80	CAP,CER 223K-B1E -CP
C842	08S65674Y05	CAP,CER 105KX5R1C-CP
C843	08S65674Y05	CAP,CER 105KX5R1C-CP
CB002	09T03497K32	BTB,52465-3291 -E9
CB201	09T03498K03	WTB,53253-0310 -DB
CB511	09T03492K15	FFC,52271-1590 -ED
CB701	09T03498K09	WTB,53253-0910 -DB
CB802	09T03498K02	WTB,53253-0210 -DB
CB803	09T03498K03	WTB,53253-0310 -DB
CB831	09T03498K02	WTB,53253-0210 -DB
CH101	09T25261Y22	FFC,SFW22R-1STE1 -EQ
D001	48T85357W01	DIO,1PS226 -CP
D003	48T25665Y01	DIO,1SS355-TE17 -CP
D004	48T25665Y01	DIO,1SS355-TE17 -CP
D100	48T45701Y01	DIO,MA2S728-TX -CP
D101	48T45701Y01	DIO,MA2S728-TX -CP
D102	48T45701Y01	DIO,MA2S728-TX -CP
D103	48T45701Y01	DIO,MA2S728-TX -CP
D104	48T45701Y01	DIO,MA2S728-TX -CP
D231	48T25665Y01	DIO,1SS355-TE17 -CP
D301	48T85270W02	DIO,MPG06G -H5
D302	48T85270W02	DIO,MPG06G -H5
D303	48T85270W02	DIO,MPG06G -H5
D304	48T85270W02	DIO,MPG06G -H5
D305	48T85270W02	DIO,MPG06G -H5

CDA-9830R

D306	48T85270W02	DIO,MPG06G	-H5
D307	48T85270W02	DIO,MPG06G	-H5
D308	48T85270W02	DIO,MPG06G	-H5
D311	48T25651W01	DIO,CP MA152WA	
D312	48T25651W01	DIO,CP MA152WA	
D313	48T25651W01	DIO,CP MA152WA	
D503	48T25665Y01	DIO,1SS355-TE17	-CP
D506	48T25665Y01	DIO,1SS355-TE17	-CP
D510	48T68828F11	DIO,1SS133 -RH	
D513	48T25651W01	DIO,CP MA152WA	
D514	48T25651W02	DIO,MA152WK-TX	-CP
D601	48T25651W02	DIO,MA152WK-TX	-CP
D802	48T25593Y01	DIO,S1G-6904	-E1
D805	48T25593Y01	DIO,S1G-6904	-E1
D811	48T25665Y01	DIO,1SS355-TE17	-CP
D831	48T81063F01	DIO,CP.MA159 / TX-CP	
D854	48T25651W02	DIO,MA152WK-TX	-CP
D855	48T25593Y01	DIO,S1G-6904	-E1
D860	48T68828F11	DIO,1SS133 -RH	
D900	48T95572W01	DIO,SHT MA736-TX	-E1
E001	23S45639Y07	CAP,ELY 10R-1C	-R2
E003	23S45639Y08	CAP,ELY 22R-1C	-R2
E004	23S45639Y05	CAP,ELY 101-1A	-R2
E006	23S45639Y08	CAP,ELY 22R-1C	-R2
E008	23S45639Y06	CAP,ELY 221-1A	-R2
E102	23S45639Y06	CAP,ELY 221-1A	-R2
E105	23S65134W23	CAP,ELY 101-1A(6)-E6	
E106	23S65134W65	CAP,ELY 1R0-1H(3)-E2	
E200	23S65134W72	CAP,ELY 3R3-1H(4)-E2	
E201	23S65134W72	CAP,ELY 3R3-1H(4)-E2	
E202	23S65134W72	CAP,ELY 3R3-1H(4)-E2	
E203	23S65134W72	CAP,ELY 3R3-1H(4)-E2	
E204	23S65134W12	CAP,ELY 47R-0J(5)-E3	
E205	23S65134W12	CAP,ELY 47R-0J(5)-E3	
E206	23S65134W12	CAP,ELY 47R-0J(5)-E3	
E207	23S65134W12	CAP,ELY 47R-0J(5)-E3	
E208	23S65134W72	CAP,ELY 3R3-1H(4)-E2	
E209	23S65134W72	CAP,ELY 3R3-1H(4)-E2	
E210	23S65134W41	CAP,ELY 4R7-1E(3)-E2	
E211	23S65134W41	CAP,ELY 4R7-1E(3)-E2	
E212	23S65134W12	CAP,ELY 47R-0J(5)-E3	
E213	23S65134W12	CAP,ELY 47R-0J(5)-E3	
E214	23S75372W03	CAP,ELY 221-1A	-H2
E215	23T95564W09	CAP,FC 22R-1C-C	-E3
E231	23S75372W11	CAP,ELY R22-1H	-R2
E232	23S75372W15	CAP,ELY 1R0-1H	-R2
E301	23S65134W65	CAP,ELY 1R0-1H(3)-E2	
E302	23S75372W11	CAP,ELY R22-1H	-R2
E303	23S75372W04	CAP,ELY 10R-1C	-R2
E304	23S95416W01	CAP,ELY 331-1C	-R5
E305	23S75372W15	CAP,ELY 1R0-1H	-R2
E306	23S95415W06	CAP,ELY 101-1C	-R2
E331	23S65134W31	CAP,ELY 10R-1C(4)-E2	
E332	23S65134W31	CAP,ELY 10R-1C(4)-E2	
E333	23S65134W31	CAP,ELY 10R-1C(4)-E2	
E334	23S65134W31	CAP,ELY 10R-1C(4)-E2	
E501	23S75372W03	CAP,ELY 221-1A	-H2

CDA-9830R

E502	23S65134W81	CAP,ELY 22R-1C(4)-E2
E503	23S65134W34	CAP,ELY 47R-1C(6)-E6
E504	23S65134W34	CAP,ELY 47R-1C(6)-E6
E506	23S45639Y08	CAP,ELY 22R-1C -R2
E801	23T75346W03	CAP,X-PRO 332-1C +
E802	23S45639Y09	CAP,ELY 47R-1C -R2
E803	23S95415W06	CAP,ELY 101-1C -R2
E804	23S95415W05	CAP,ELY 47R-1C -R2
E805	23T55378W03	CAP,KMG 471-1A -R2
E807	23S95415W06	CAP,ELY 101-1C -R2
E808	23T25139Y10	CAP,PW 331-1C +
E809	23S95415W07	CAP,ELY 221-1C -R2
E821	23S75373W03	CAP,ELY 22R-1C -R2
E822	23S75372W05	CAP,ELY 22R-1C -R2
E832	23S75372W07	CAP,ELY 47R-1C -R2
E900	23S95415W07	CAP,ELY 221-1C -R2
F801	65T75477Y13	FUSE,CCP2E 4.0A -CP
IC001	51T35566Y01	MTP,D78F4216AGCXXXQT
IC002	51T15132Y02	SAA6588T -SE9
IC003	51T15731W10	TC7S66F-TE85L -CP
IC101	51T15362Y01	TC74HCT7007AFTP2-SE6
IC102	51T55517Y02	NJU7223DL1-33TE1-NE5
IC104	51T15456Y01	TC74HC4066AFT-EL-SE5
IC201	51T45654Y02	TC94A04AFD-015 -QT
IC202	51T93333F01	NJM2904M-TE3 -SE2
IC301	51T93340F02	NJM2060V-TE2 -SE2
IC302	51T55148Y01	TA8273H -ZS
IC303	51T93340F02	NJM2060V-TE2 -SE2
IC332	51T15647Y01	NJM4558V-TE2 -SE2
IC501	51T75216Y02	MTP,M30626FHPGPXXXQT
IC502	51T65778Y01	BR24L02F-W-E2 -SE2
IC504	51T25422Y02	TC7W04FK-TE85L -CP
IC505	51T93332F01	IC,NJM2903M-TE3 -SE2
IC506	51T25045Y03	AN7705SP-TX -NE5
IC601	51T93532F05	TC4S01F-TE85L -CP
IC602	51T65212Y01	BA8275F-E2 -SE2
IC801	51T45336Y01	L5952 -ZS
IC802	51T75063Y11	BD5233G-TR -CP
IC831	51T25448Y01	BA6219BFP-Y-E2 -SE9
JJ001	06S55362Y39	RES,RK JUMPER 1/4-CP
L001	24T25164Y21	IND,FSLM2520 4R7J-CP
L002	24T35286Y01	IND,MG56 523J -DB
L003	24T45464Y02	FBI,BLM18HG471SN1-CP
L004	24T45464Y02	FBI,BLM18HG471SN1-CP
L005	24T16403W29	COI,IND.15R-M -CP
L006	24T35401Y18	IND,HK1608 R027J -CP
L007	24T35401Y20	IND,HK1608 R039J -CP
L101	24T16271W13	COIL,RCR875D-221K
L200	91T65112W06	EMI,BK2125HM102 -CP
L201	91T65112W06	EMI,BK2125HM102 -CP
L202	91T65112W06	EMI,BK2125HM102 -CP
L203	06S55366Y39	RES,RK JUMPER1/10-CP
L204	06S55366Y39	RES,RK JUMPER1/10-CP
L205	06S55366Y39	RES,RK JUMPER1/10-CP
L206	91T65112W06	EMI,BK2125HM102 -CP
L207	91T65112W06	EMI,BK2125HM102 -CP
L900	24T16271W21	IND,RCR-875D 102K +

CDA-9830R

LD601	48T65477W05	LED,SML-010DTT87 -CP
LD602	48T65477W05	LED,SML-010DTT87 -CP
PS801	48T95226W01	TMT,PTGL05BA1R8M1-R5
Q001	48T52437F05	TR ,2SB709A-S /TX-CP
Q002	48T64221F13	TR,UN211H-TX -CP
Q005	48T45594W16	TR,XN1A311-TX -CP
Q006	48T64222F01	TR ,UN2211 10-10 -TX
Q008	48T64222F02	TR ,UN2212 22-22 -TX
Q101	48T45594W16	TR,XN1A311-TX -CP
Q102	48T45594W16	TR,XN1A311-TX -CP
Q103	48T84366F04	TR,2SB1243-QR-TV2-RD
Q104	48T62967F05	TR,DTC143XKA-T146-CP
Q201	48T45594W08	TR ,XN1212 -TX-CP
Q304	48T64222F01	TR ,UN2211 10-10 -TX
Q311	48T25317Y01	TR,XN0F256-TX -CP
Q312	48T25317Y01	TR,XN0F256-TX -CP
Q313	48T25317Y01	TR,XN0F256-TX -CP
Q501	48T45594W12	TR ,XN1A312 -TX-CP
Q502	48T93828F04	TR,2SD1994A-S-TA -RD
Q503	48T93828F04	TR,2SD1994A-S-TA -RD
Q505	48T52437F01	TR ,2SB709A-QR/TX-CP
Q506	48T64221F02	TR ,UN2112 22-22 -TX
Q507	48T52438F01	TR ,2SD601A-RS/TX-CP
Q601	48T64222F01	TR ,UN2211 10-10 -TX
Q602	48T52437F05	TR ,2SB709A-S /TX-CP
Q603	48T64222F02	TR ,UN2212 22-22 -TX
Q604	48T65619Y01	FET,HN1K06FU-85L -CP
Q606	48T64222F01	TR ,UN2211 10-10 -TX
Q803	48T84366F04	TR,2SB1243-QR-TV2-RD
Q804	48T62967F05	TR,DTC143XKA-T146-CP
Q807	48T93828F04	TR,2SD1994A-S-TA -RD
Q808	48T93828F04	TR,2SD1994A-S-TA -RD
Q809	48T45594W12	TR ,XN1A312 -TX-CP
Q812	48T73023F01	TR ,2SD874A -E2
Q813	48T45594W12	TR ,XN1A312 -TX-CP
Q815	48T45594W16	TR,XN1A311-TX -CP
Q817	48T45594W12	TR ,XN1A312 -TX-CP
Q821	48T45594W12	TR ,XN1A312 -TX-CP
Q825	48T45594W12	TR ,XN1A312 -TX-CP
Q826	48T92368F04	TR,2SD1760 R -E5
Q841	48T64221F11	TR,UN211L-TX -CP
Q844	48T64222F02	TR ,UN2212 22-22 -TX
Q872	48T45594W12	TR ,XN1A312 -TX-CP
Q894	48T64222F02	TR ,UN2212 22-22 -TX
Q901	48T45594W16	TR,XN1A311-TX -CP
R001	06S70072F05	RES,CP .10R-J-1/4-CP
R002	06S55366Y06	RES,RK 473J 1/10 -CP
R003	06S55365Y77	RES,RK 332J 1/10 -CP
R004	06S55361Y69	RES,RK 152J 1/4 -CP
R005	06S55361Y49	RES,RK 221J 1/4 -CP
R008	06S55365Y41	RES,RK 101J 1/10 -CP
R009	06S55365Y41	RES,RK 101J 1/10 -CP
R010	06S55366Y14	RES,RK 104J 1/10 -CP
R011	06S55366Y30	RES,RK 474J 1/10 -CP
R012	06S55366Y02	RES,RK 333J 1/10 -CP
R013	06S55365Y98	RES,RK 243J 1/10 -CP
R014	06S55366Y39	RES,RK JUMPER1/10-CP

R015	06S55365Y89	RES,RK 103J 1/10 -CP
R016	06S55365Y89	RES,RK 103J 1/10 -CP
R017	06S55365Y65	RES,RK 102J 1/10 -CP
R018	06S55365Y65	RES,RK 102J 1/10 -CP
R019	06S55365Y51	RES,RK 271J 1/10 -CP
R020	06S55365Y51	RES,RK 271J 1/10 -CP
R021	06S55365Y81	RES,RK 472J 1/10 -CP
R022	06S55366Y30	RES,RK 474J 1/10 -CP
R023	06S55366Y06	RES,RK 473J 1/10 -CP
R024	06S55366Y06	RES,RK 473J 1/10 -CP
R027	06S55365Y89	RES,RK 103J 1/10 -CP
R028	06S55365Y89	RES,RK 103J 1/10 -CP
R029	06S55366Y39	RES,RK JUMPER1/10-CP
R030	06S55366Y06	RES,RK 473J 1/10 -CP
R031	06S55365Y65	RES,RK 102J 1/10 -CP
R032	06S55365Y65	RES,RK 102J 1/10 -CP
R033	06S55365Y65	RES,RK 102J 1/10 -CP
R035	06S55365Y89	RES,RK 103J 1/10 -CP
R036	06S55366Y06	RES,RK 473J 1/10 -CP
R037	06S55365Y65	RES,RK 102J 1/10 -CP
R038	06S55365Y89	RES,RK 103J 1/10 -CP
R039	06S55365Y65	RES,RK 102J 1/10 -CP
R042	06S55366Y14	RES,RK 104J 1/10 -CP
R043	06S55365Y65	RES,RK 102J 1/10 -CP
R044	06S55365Y65	RES,RK 102J 1/10 -CP
R045	06S55365Y65	RES,RK 102J 1/10 -CP
R046	06S55365Y81	RES,RK 472J 1/10 -CP
R101	06S55366Y06	RES,RK 473J 1/10 -CP
R102	06S55365Y89	RES,RK 103J 1/10 -CP
R103	06S55366Y06	RES,RK 473J 1/10 -CP
R104	06S55364Y39	RES,RK JUMPER 1/8-CP
R105	06S55366Y06	RES,RK 473J 1/10 -CP
R106	06S55366Y02	RES,RK 333J 1/10 -CP
R107	06S55366Y06	RES,RK 473J 1/10 -CP
R108	06S55366Y06	RES,RK 473J 1/10 -CP
R109	06S55365Y89	RES,RK 103J 1/10 -CP
R110	06S55366Y08	RES,RK 563J 1/10 -CP
R111	06S55365Y51	RES,RK 271J 1/10 -CP
R200	06S55365Y50	RES,RK 241J 1/10 -CP
R201	06S55365Y50	RES,RK 241J 1/10 -CP
R206	06S55365Y53	RES,RK 331J 1/10 -CP
R207	06S55365Y53	RES,RK 331J 1/10 -CP
R208	06S55366Y38	RES,RK 105J 1/10 -CP
R209	06S55365Y65	RES,RK 102J 1/10 -CP
R210	06S55365Y65	RES,RK 102J 1/10 -CP
R211	06S55365Y65	RES,RK 102J 1/10 -CP
R212	06S55365Y65	RES,RK 102J 1/10 -CP
R213	06S55365Y65	RES,RK 102J 1/10 -CP
R214	06S55366Y06	RES,RK 473J 1/10 -CP
R215	06S55366Y06	RES,RK 473J 1/10 -CP
R216	06S55365Y65	RES,RK 102J 1/10 -CP
R217	06S55365Y65	RES,RK 102J 1/10 -CP
R218	06S55365Y66	RES,RK 112J 1/10 -CP
R219	06S55365Y66	RES,RK 112J 1/10 -CP
R231	06S55365Y91	RES,RK 123J 1/10 -CP
R232	06S55365Y97	RES,RK 223J 1/10 -CP
R233	06S55366Y39	RES,RK JUMPER1/10-CP

R234	06S55366Y30	RES,RK 474J 1/10 -CP
R235	06S55366Y20	RES,RK 184J 1/10 -CP
R301	06S55365Y53	RES,RK 331J 1/10 -CP
R302	06S55365Y89	RES,RK 103J 1/10 -CP
R303	06S55365Y97	RES,RK 223J 1/10 -CP
R304	06S55365Y97	RES,RK 223J 1/10 -CP
R305	06S55365Y97	RES,RK 223J 1/10 -CP
R306	06S55365Y97	RES,RK 223J 1/10 -CP
R310	06S55366Y11	RES,RK 753J 1/10 -CP
R311	06S55366Y11	RES,RK 753J 1/10 -CP
R314	06S55365Y95	RES,RK 183J 1/10 -CP
R315	06S55365Y95	RES,RK 183J 1/10 -CP
R316	06S55365Y97	RES,RK 223J 1/10 -CP
R317	06S55365Y97	RES,RK 223J 1/10 -CP
R318	06S55366Y11	RES,RK 753J 1/10 -CP
R319	06S55366Y11	RES,RK 753J 1/10 -CP
R322	06S55365Y95	RES,RK 183J 1/10 -CP
R323	06S55365Y95	RES,RK 183J 1/10 -CP
R324	06S55365Y97	RES,RK 223J 1/10 -CP
R325	06S55365Y97	RES,RK 223J 1/10 -CP
R326	06S55366Y14	RES,RK 104J 1/10 -CP
R327	06S55366Y14	RES,RK 104J 1/10 -CP
R330	06S55365Y95	RES,RK 183J 1/10 -CP
R331	06S55365Y95	RES,RK 183J 1/10 -CP
R332	06S55365Y97	RES,RK 223J 1/10 -CP
R333	06S55365Y97	RES,RK 223J 1/10 -CP
R334	06S55365Y95	RES,RK 183J 1/10 -CP
R335	06S55365Y95	RES,RK 183J 1/10 -CP
R336	06S55365Y95	RES,RK 183J 1/10 -CP
R337	06S55365Y95	RES,RK 183J 1/10 -CP
R351	06S55366Y05	RES,RK 433J 1/10 -CP
R352	06S55366Y05	RES,RK 433J 1/10 -CP
R353	06S55363Y49	RES,RK 221J 1/8 -CP
R354	06S55363Y49	RES,RK 221J 1/8 -CP
R355	06S55363Y41	RES,RK 101J 1/8 -CP
R356	06S55363Y41	RES,RK 101J 1/8 -CP
R361	06S55366Y05	RES,RK 433J 1/10 -CP
R362	06S55366Y05	RES,RK 433J 1/10 -CP
R363	06S55363Y49	RES,RK 221J 1/8 -CP
R364	06S55363Y49	RES,RK 221J 1/8 -CP
R365	06S55363Y41	RES,RK 101J 1/8 -CP
R366	06S55363Y41	RES,RK 101J 1/8 -CP
R370	06S55365Y65	RES,RK 102J 1/10 -CP
R371	06S55366Y05	RES,RK 433J 1/10 -CP
R372	06S55366Y05	RES,RK 433J 1/10 -CP
R373	06S55363Y49	RES,RK 221J 1/8 -CP
R374	06S55363Y49	RES,RK 221J 1/8 -CP
R375	06S55363Y41	RES,RK 101J 1/8 -CP
R376	06S55363Y41	RES,RK 101J 1/8 -CP
R390	06S55366Y25	RES,RK 304J 1/10 -CP
R500	06S55363Y53	RES,RK 331J 1/8 -CP
R501	06S55363Y53	RES,RK 331J 1/8 -CP
R502	06S55363Y65	RES,RK 102J 1/8 -CP
R503	06S55363Y59	RES,RK 561J 1/8 -CP
R504	06S55363Y53	RES,RK 331J 1/8 -CP
R505	06S55363Y65	RES,RK 102J 1/8 -CP
R506	06S55363Y65	RES,RK 102J 1/8 -CP

R507	06S55363Y65	RES,RK 102J 1/8 -CP
R508	06S55365Y97	RES,RK 223J 1/10 -CP
R509	06S55365Y97	RES,RK 223J 1/10 -CP
R510	06S55365Y81	RES,RK 472J 1/10 -CP
R511	06S55363Y65	RES,RK 102J 1/8 -CP
R512	06S55365Y89	RES,RK 103J 1/10 -CP
R513	06S55363Y89	RES,RK 103J 1/8 -CP
R514	06S55365Y81	RES,RK 472J 1/10 -CP
R515	06S55365Y67	RES,RK 122J 1/10 -CP
R516	06S55361Y17	RES,RK 10RJ 1/4 -CP
R517	06S55365Y89	RES,RK 103J 1/10 -CP
R518	06S55361Y31	RES,RK 39RJ 1/4 -CP
R519	06S55361Y31	RES,RK 39RJ 1/4 -CP
R520	06S55365Y73	RES,RK 222J 1/10 -CP
R521	06S55365Y69	RES,RK 152J 1/10 -CP
R522	06S55365Y85	RES,RK 682J 1/10 -CP
R523	06S55366Y06	RES,RK 473J 1/10 -CP
R524	06S55366Y39	RES,RK JUMPER1/10-CP
R525	06S55365Y65	RES,RK 102J 1/10 -CP
R526	06S55361Y31	RES,RK 39RJ 1/4 -CP
R527	06S55366Y30	RES,RK 474J 1/10 -CP
R528	06S55365Y65	RES,RK 102J 1/10 -CP
R529	06S55365Y77	RES,RK 332J 1/10 -CP
R530	06S55365Y53	RES,RK 331J 1/10 -CP
R531	06S55366Y06	RES,RK 473J 1/10 -CP
R532	06S55365Y53	RES,RK 331J 1/10 -CP
R533	06S55363Y75	RES,RK 272J 1/8 -CP
R534	06S55366Y39	RES,RK JUMPER1/10-CP
R535	06S55365Y65	RES,RK 102J 1/10 -CP
R536	06S55365Y41	RES,RK 101J 1/10 -CP
R538	06S55365Y65	RES,RK 102J 1/10 -CP
R539	06S55366Y06	RES,RK 473J 1/10 -CP
R540	06S55365Y97	RES,RK 223J 1/10 -CP
R541	06S55365Y41	RES,RK 101J 1/10 -CP
R542	06S55361Y01	RES,RK 2R2J 1/4 -CP
R543	06S15593Y77	RES,RK 153F 1/10 -CP
R545	06S55365Y97	RES,RK 223J 1/10 -CP
R546	06S55365Y97	RES,RK 223J 1/10 -CP
R547	06S55366Y06	RES,RK 473J 1/10 -CP
R550	06S55366Y39	RES,RK JUMPER1/10-CP
R551	06S55365Y97	RES,RK 223J 1/10 -CP
R552	06S55366Y39	RES,RK JUMPER1/10-CP
R553	06S55365Y65	RES,RK 102J 1/10 -CP
R554	06S55365Y57	RES,RK 471J 1/10 -CP
R555	06S55365Y57	RES,RK 471J 1/10 -CP
R558	06S55365Y65	RES,RK 102J 1/10 -CP
R559	06S55365Y89	RES,RK 103J 1/10 -CP
R560	06S55365Y97	RES,RK 223J 1/10 -CP
R562	06S55365Y65	RES,RK 102J 1/10 -CP
R563	06S55361Y01	RES,RK 2R2J 1/4 -CP
R564	06S55365Y53	RES,RK 331J 1/10 -CP
R566	06S55365Y53	RES,RK 331J 1/10 -CP
R567	06S55365Y53	RES,RK 331J 1/10 -CP
R568	06S55365Y65	RES,RK 102J 1/10 -CP
R569	06S55365Y65	RES,RK 102J 1/10 -CP
R573	06S55361Y61	RES,RK 681J 1/4 -CP
R574	06S55365Y97	RES,RK 223J 1/10 -CP

R576	06S55366Y39	RES,RK JUMPER1/10-CP
R593	06S55366Y39	RES,RK JUMPER1/10-CP
R594	06S55365Y97	RES,RK 223J 1/10 -CP
R595	06S55361Y49	RES,RK 221J 1/4 -CP
R596	06S55365Y53	RES,RK 331J 1/10 -CP
R597	06S55365Y53	RES,RK 331J 1/10 -CP
R598	06S55361Y31	RES,RK 39RJ 1/4 -CP
R599	06S55365Y85	RES,RK 682J 1/10 -CP
R600	06S55365Y89	RES,RK 103J 1/10 -CP
R601	06S55365Y89	RES,RK 103J 1/10 -CP
R602	06S55361Y56	RES,RK 431J 1/4 -CP
R603	06S55365Y69	RES,RK 152J 1/10 -CP
R604	06S55365Y73	RES,RK 222J 1/10 -CP
R605	06S55361Y65	RES,RK 102J 1/4 -CP
R606	06S55363Y89	RES,RK 103J 1/8 -CP
R611	06S55366Y06	RES,RK 473J 1/10 -CP
R612	06S55366Y06	RES,RK 473J 1/10 -CP
R615	06S55365Y83	RES,RK 562J 1/10 -CP
R616	06S55365Y83	RES,RK 562J 1/10 -CP
R618	06S55365Y65	RES,RK 102J 1/10 -CP
R619	06S55365Y65	RES,RK 102J 1/10 -CP
R621	06S55365Y97	RES,RK 223J 1/10 -CP
R622	06S55366Y30	RES,RK 474J 1/10 -CP
R623	06S55365Y97	RES,RK 223J 1/10 -CP
R624	06S55365Y77	RES,RK 332J 1/10 -CP
R625	06S55365Y73	RES,RK 222J 1/10 -CP
R626	06S55361Y41	RES,RK 101J 1/4 -CP
R630	06S55361Y57	RES,RK 471J 1/4 -CP
R631	06S55361Y57	RES,RK 471J 1/4 -CP
R632	06S55365Y81	RES,RK 472J 1/10 -CP
R633	06S55365Y81	RES,RK 472J 1/10 -CP
R802	06S55362Y39	RES,RK JUMPER 1/4-CP
R803	06S55361Y89	RES,RK 103J 1/4 -CP
R808	06S15593Y63	RES,RK 392F 1/10 -CP
R809	06S15593Y83	RES,RK 273F 1/10 -CP
R810	06S55361Y81	RES,RK 472J 1/4 -CP
R812	06S55361Y81	RES,RK 472J 1/4 -CP
R814	06S55361Y01	RES,RK 2R2J 1/4 -CP
R815	06S55361Y01	RES,RK 2R2J 1/4 -CP
R816	06S55361Y55	RES,RK 391J 1/4 -CP
R817	06S55361Y41	RES,RK 101J 1/4 -CP
R823	06S55361Y56	RES,RK 431J 1/4 -CP
R825	06S55361Y01	RES,RK 2R2J 1/4 -CP
R826	06S55365Y01	RES,RK 2R2J 1/10 -CP
R827	06S55361Y53	RES,RK 331J 1/4 -CP
R829	06S55366Y06	RES,RK 473J 1/10 -CP
R834	06S55361Y29	RES,RK 33RJ 1/4 -CP
R835	06S55361Y29	RES,RK 33RJ 1/4 -CP
R836	06S55361Y29	RES,RK 33RJ 1/4 -CP
R837	06S55361Y29	RES,RK 33RJ 1/4 -CP
R838	06S55361Y29	RES,RK 33RJ 1/4 -CP
R839	06S55361Y29	RES,RK 33RJ 1/4 -CP
R840	06S55365Y97	RES,RK 223J 1/10 -CP
R841	06S55366Y06	RES,RK 473J 1/10 -CP
R842	06S55361Y89	RES,RK 103J 1/4 -CP
R843	06S55365Y97	RES,RK 223J 1/10 -CP
R846	06S55365Y97	RES,RK 223J 1/10 -CP

R849	06S55365Y97	RES,RK 223J 1/10 -CP
R850	06S45348Y31	RES,RK 224F 1/4 -CP
R851	06S55366Y04	RES,RK 393J 1/10 -CP
R852	06S55365Y41	RES,RK 101J 1/10 -CP
R853	06S55365Y41	RES,RK 101J 1/10 -CP
R854	06S55361Y98	RES,RK 243J 1/4 -CP
R855	06S55361Y69	RES,RK 152J 1/4 -CP
R856	06S55361Y69	RES,RK 152J 1/4 -CP
R868	06S55361Y51	RES,RK 271J 1/4 -CP
R869	06S55361Y51	RES,RK 271J 1/4 -CP
R875	06S55365Y89	RES,RK 103J 1/10 -CP
R899	06S55365Y89	RES,RK 103J 1/10 -CP
R900	06S55361Y89	RES,RK 103J 1/4 -CP
RA001	06S45591W16	RES,ARY MNR223J 4-CP
RA002	06S45591W07	RES,ARY MNR101J 4-CP
SA001	48T81048F02	PTT,DSP-201M -RD
SD800	48T68580F02	DIO,SI DSA3A4-15
TH501	48T25250Y01	TMT,ERTJ1VV104J -CP
XL001	91T25806W18	XTL,4.332M -AT51-TP
XL002	91T55217Y03	XTL,NX8045GB 12.2-E5
XL502	91T55360Y06	XTL,6M-AT51-TP
XL503	91T55274Y01	XTL,NX5032GA 33.8-E2
Z001	91T45556Y06	EMI,NFM21HC102R1H-CP
Z002	91T15509Y08	EMI,BK1608HM102 -CP
Z003	91T15509Y08	EMI,BK1608HM102 -CP
Z501	91T15509Y08	EMI,BK1608HM102 -CP
Z801	91T15509Y08	EMI,BK1608HM102 -CP
ZD501	48T25766W24	DIO,ZEN.HZS 9C1L -R5
ZD801	48T25766W30	DIO,ZEN.HZS11B1L -R5
ZD802	48T25766W39	DIO,ZEN.HZS12B1L -R5
ZD803	48T62934F14	DIO,ZEN.RD4.3MB3 -CP
ZD804	48T62934F29	DIO,ZEN.RD6.8MB3 -CP
ZD821	48T25766W38	DIO,ZEN.HZS12A3L -R5

=====FRONT P.W.Board

C404	08S45676W73	CAP,CER.103K-B1H -CP
C405	08S53332F62	CAP,CP .473-K-B -CP
C406	08S45676W89	CAP,CER 473K-B1E -CP
C407	08S45676W89	CAP,CER 473K-B1E -CP
C408	08S45677W56	CAP,CER 681J-CH1H-CP
C409	08S65676Y02	CAP,CER 475KX7R1A-CP
C410	08S45677W36	CAP,CER.101J-CH1H-CP
C411	08S45676W64	CAP,CER.182K-B1H -CP
C412	08S45676W64	CAP,CER.182K-B1H -CP
C413	08S45676W64	CAP,CER.182K-B1H -CP
C414	08S45676W64	CAP,CER.182K-B1H -CP
C417	08S45676W80	CAP,CER 223K-B1E -CP
C418	08S45676W89	CAP,CER 473K-B1E -CP
C420	08S45677W36	CAP,CER.101J-CH1H-CP
C423	08S45676W80	CAP,CER 223K-B1E -CP
D401	48T81063F01	DIO,CP.MA159 / TX-CP
D402	48T94471F04	DIO,IMN10-T108 -CP
D405	48T85357W01	DIO,1PS226 -CP
D406	48T85357W01	DIO,1PS226 -CP
D407	48T85357W01	DIO,1PS226 -CP
D408	48T85357W01	DIO,1PS226 -CP
D409	48T85357W01	DIO,1PS226 -CP

CDA-9830R

D410	48T85357W01	DIO,1PS226	-CP
D411	48T85357W01	DIO,1PS226	-CP
IC401	51T02347K01	PT6583LQ	-QT
IC403	51T55628Y01	RS-671	-NE2
IC404	51T55235Y01	TC74VHC595FT-EL	-SE5
LD401	48T25534Y02	LED,RED BR1111C	-CP
LD402	48T25534Y02	LED,RED BR1111C	-CP
LD403	48T25534Y01	LED,GRN BG1111C	-CP
LD404	48T25534Y01	LED,GRN BG1111C	-CP
LD405	48T25534Y01	LED,GRN BG1111C	-CP
LD406	48T25534Y01	LED,GRN BG1111C	-CP
LD407	48T25534Y01	LED,GRN BG1111C	-CP
LD408	48T25534Y01	LED,GRN BG1111C	-CP
LD409	48T25534Y01	LED,GRN BG1111C	-CP
LD410	48T25534Y01	LED,GRN BG1111C	-CP
LD411	48T25534Y01	LED,GRN BG1111C	-CP
LD412	48T25534Y01	LED,GRN BG1111C	-CP
LD413	48T25534Y01	LED,GRN BG1111C	-CP
LD414	48T25534Y01	LED,GRN BG1111C	-CP
LD415	48T25534Y01	LED,GRN BG1111C	-CP
LD416	48T25534Y01	LED,GRN BG1111C	-CP
LD417	48T25534Y01	LED,GRN BG1111C	-CP
LD418	48T25534Y01	LED,GRN BG1111C	-CP
LD420	48T25534Y01	LED,GRN BG1111C	-CP
LD421	48T25534Y01	LED,GRN BG1111C	-CP
LD424	48T25534Y01	LED,GRN BG1111C	-CP
LD425	48T25534Y01	LED,GRN BG1111C	-CP
LD426	48T25534Y01	LED,GRN BG1111C	-CP
LD427	48T25534Y01	LED,GRN BG1111C	-CP
LD428	48T65285Y01	LED,AMB FA1112C	-CP
LD429	48T65285Y01	LED,AMB FA1112C	-CP
LD430	48T65285Y01	LED,AMB FA1112C	-CP
LD431	48T65285Y01	LED,AMB FA1112C	-CP
LD432	48T25534Y03	LED,AMB AA1111C	-CP
LD433	48T25534Y03	LED,AMB AA1111C	-CP
LD434	48T25534Y03	LED,AMB AA1111C	-CP
LD435	48T25534Y03	LED,AMB AA1111C	-CP
LD436	48T45280Y01	LED,WHT NSCWS405T-E2	
LD437	48T45280Y01	LED,WHT NSCWS405T-E2	
LD438	48T45280Y01	LED,WHT NSCWS405T-E2	
LD439	48T45280Y01	LED,WHT NSCWS405T-E2	
LD442	48T35306Y05	LED,GRN DG1104B	-CP
Q401	48T64222F01	TR ,UN2211 10-10	-TX
Q402	48T64222F01	TR ,UN2211 10-10	-TX
Q403	48T64222F01	TR ,UN2211 10-10	-TX
Q404	48T63788F04	TR ,CP.2SD1328-T	-TX
Q405	48T52438F04	TR ,2SD601A-S /TX	-CP
Q406	48T63788F04	TR ,CP.2SD1328-T	-TX
Q407	48T73023F01	TR ,2SD874A	-E2
Q408	48T63788F04	TR ,CP.2SD1328-T	-TX
Q414	48T64222F02	TR ,UN2212 22-22	-TX
R400	06S70072F95	RES,RK 123J 1/4	-CP
R401	06S55363Y59	RES,RK 561J 1/8	-CP
R402	06S55363Y53	RES,RK 331J 1/8	-CP
R403	06S55363Y53	RES,RK 331J 1/8	-CP
R404	06S55363Y65	RES,RK 102J 1/8	-CP
R405	06S55363Y53	RES,RK 331J 1/8	-CP

CDA-9830R

R406	06S55363Y65	RES,RK 102J 1/8	-CP
R407	06S55363Y65	RES,RK 102J 1/8	-CP
R408	06S55361Y91	RES,RK 123J 1/4	-CP
R409	06S55361Y91	RES,RK 123J 1/4	-CP
R410	06S55361Y54	RES,RK 361J 1/4	-CP
R411	06S55361Y53	RES,RK 331J 1/4	-CP
R412	06S55361Y52	RES,RK 301J 1/4	-CP
R413	06S55361Y53	RES,RK 331J 1/4	-CP
R414	06S55361Y52	RES,RK 301J 1/4	-CP
R415	06S55361Y53	RES,RK 331J 1/4	-CP
R416	06S55361Y52	RES,RK 301J 1/4	-CP
R417	06S55361Y51	RES,RK 271J 1/4	-CP
R418	06S55361Y51	RES,RK 271J 1/4	-CP
R419	06S55361Y51	RES,RK 271J 1/4	-CP
R420	06S55361Y51	RES,RK 271J 1/4	-CP
R421	06S55361Y51	RES,RK 271J 1/4	-CP
R422	06S55361Y51	RES,RK 271J 1/4	-CP
R423	06S55361Y56	RES,RK 431J 1/4	-CP
R424	06S55361Y71	RES,RK 182J 1/4	-CP
R425	06S55361Y71	RES,RK 182J 1/4	-CP
R426	06S55361Y71	RES,RK 182J 1/4	-CP
R427	06S55361Y56	RES,RK 431J 1/4	-CP
R428	06S55361Y69	RES,RK 152J 1/4	-CP
R429	06S55361Y55	RES,RK 391J 1/4	-CP
R430	06S55361Y59	RES,RK 561J 1/4	-CP
R431	06S55361Y59	RES,RK 561J 1/4	-CP
R432	06S55365Y81	RES,RK 472J 1/10	-CP
R433	06S55365Y81	RES,RK 472J 1/10	-CP
R434	06S55365Y97	RES,RK 223J 1/10	-CP
R436	06S55362Y39	RES,RK JUMPER 1/4	-CP
R437	06S55362Y39	RES,RK JUMPER 1/4	-CP
R438	06S55365Y65	RES,RK 102J 1/10	-CP
R439	06S55366Y05	RES,RK 433J 1/10	-CP
R440	06S55365Y73	RES,RK 222J 1/10	-CP
R442	06S55362Y39	RES,RK JUMPER 1/4	-CP
R443	06S55366Y14	RES,RK 104J 1/10	-CP
R444	06S55365Y81	RES,RK 472J 1/10	-CP
R445	06S55365Y81	RES,RK 472J 1/10	-CP
R446	06S55363Y41	RES,RK 101J 1/8	-CP
R447	06S55365Y97	RES,RK 223J 1/10	-CP
R448	06S55365Y65	RES,RK 102J 1/10	-CP
R458	06S55361Y55	RES,RK 391J 1/4	-CP
R476	06S55361Y57	RES,RK 471J 1/4	-CP
R477	06S55365Y65	RES,RK 102J 1/10	-CP
R478	06S55365Y65	RES,RK 102J 1/10	-CP
R479	06S55365Y65	RES,RK 102J 1/10	-CP
R480	06S55365Y65	RES,RK 102J 1/10	-CP
R481	06S55365Y65	RES,RK 102J 1/10	-CP
R484	06S55365Y65	RES,RK 102J 1/10	-CP
R485	06S55365Y65	RES,RK 102J 1/10	-CP
R486	06S55365Y65	RES,RK 102J 1/10	-CP
R487	06S55365Y65	RES,RK 102J 1/10	-CP
R488	06S55365Y65	RES,RK 102J 1/10	-CP
R489	06S55365Y65	RES,RK 102J 1/10	-CP
R490	06S55365Y65	RES,RK 102J 1/10	-CP
R491	06S55365Y65	RES,RK 102J 1/10	-CP
R492	06S55365Y89	RES,RK 103J 1/10	-CP

CDA-9830R

R493	06S55365Y89	RES,RK 103J 1/10 -CP
R494	06S55365Y89	RES,RK 103J 1/10 -CP
R495	06S55365Y89	RES,RK 103J 1/10 -CP
R496	06S55366Y39	RES,RK JUMPER1/10-CP
SW400	40T65353Y01	SW,TACT SKRSPACE010E2 (RESET)
SW401	40T65353Y01	SW,TACT SKRSPACE010E2 (T.INFO)
SW402	40T65353Y01	SW,TACT SKRSPACE010E2 (FWD/UP)
SW403	40T65353Y01	SW,TACT SKRSPACE010E2 (PLAY/PAUSE/TUNE/A.ME)
SW404	40T65353Y01	SW,TACT SKRSPACE010E2 (BWD/DN)
SW406	40T65353Y01	SW,TACT SKRSPACE010E2 (SOURCE/POWER)
SW407	40T65353Y01	SW,TACT SKRSPACE010E2 (BAND/TEL.)
SW408	40T65353Y01	SW,TACT SKRSPACE010E2 (MUTE/B.OUT)
SW409	40T65353Y01	SW,TACT SKRSPACE010E2 (TITLE)
SW410	40T65353Y01	SW,TACT SKRSPACE010E2 (F)
SW411	40T65353Y01	SW,TACT SKRSPACE010E2 (1/AF)
SW412	40T65353Y01	SW,TACT SKRSPACE010E2 (2/P.PTY)
SW413	40T65353Y01	SW,TACT SKRSPACE010E2 (3/PTY)
SW414	40T65353Y01	SW,TACT SKRSPACE010E2 (4/REPEAT)
SW415	40T65353Y01	SW,TACT SKRSPACE010E2 (5/M.I.X.)
SW416	40T65353Y01	SW,TACT SKRSPACE010E2 (6/SCAN)
SW417	40T65353Y01	SW,TACT SKRSPACE010E2 (TILT UP/DN)
SW418	40T65353Y01	SW,TACT SKRSPACE010E2 (EJECT)
SW419	40T65353Y01	SW,TACT SKRSPACE010E2 (MENU/i-Personalize)
SW420	40T65353Y01	SW,TACT SKRSPACE010E2 (MX)
SW421	40T65353Y01	SW,TACT SKRSPACE010E2 (FOLDER UP)
SW422	40T65353Y01	SW,TACT SKRSPACE010E2 (FOLDER SEARCH/Q.S.)
SW423	40T65353Y01	SW,TACT SKRSPACE010E2 (FOLDER DOWN)
ZD401	48T84735F21	DIO,ZEN.MA3082-H -CP
ZD402	48T15541Y23	DIO,ZEN MAZS180 -CP
ZD403	48T15541Y23	DIO,ZEN MAZS180 -CP

=====TUNER P.W.Board

C1001	08S65128F78	CAP,CER.223K-B1H -CP
C1002	08S82122F25	CAP,CER.33RJ-CH1H-CP

CDA-9830R

C1003	08S45677W60	CAP,CER 102J-CH1H-CP
C1004	08S45677W24	CAP,CER 33RJ-CH1H-CP
C1005	08S45677W24	CAP,CER 33RJ-CH1H-CP
C1006	08S45677W04	CAP,CER.2R0C-CH1H-CP
C1007	08S45677W07	CAP,CER.5R0C-CH1H-CP
C1009	08S45677W12	CAP,CER.10RD-CH1H-CP
C1010	08S45676W73	CAP,CER.103K-B1H -CP
C1011	08S45676W85	CAP,CER 104K-B1C -CP
C1012	08S45676W69	CAP,CER.472K-B1H -CP
C1013	08S45676W73	CAP,CER.103K-B1H -CP
C1014	08S45677W60	CAP,CER 102J-CH1H-CP
C1015	08S45677W32	CAP,CER.68RJ-CH1H-CP
C1016	08S45677W36	CAP,CER.101J-CH1H-CP
C1017	08S45676W73	CAP,CER.103K-B1H -CP
C1018	08S45676W85	CAP,CER 104K-B1C -CP
C1019	08S45676W85	CAP,CER 104K-B1C -CP
C1020	08S45676W85	CAP,CER 104K-B1C -CP
C1021	08S45676W80	CAP,CER 223K-B1E -CP
C1022	08S45676W68	CAP,CER.392K-B1H -CP
C1023	08S45677W38	CAP,CER 121J-CH1H-CP
C1024	08S45676W73	CAP,CER.103K-B1H -CP
C1025	08S45676W73	CAP,CER.103K-B1H -CP
C1026	08S65674Y05	CAP,CER 105KX5R1C-CP
C1027	08S45676W85	CAP,CER 104K-B1C -CP
C1028	08S45676W85	CAP,CER 104K-B1C -CP
C1029	08S65674Y05	CAP,CER 105KX5R1C-CP
C1030	08S65674Y05	CAP,CER 105KX5R1C-CP
C1031	08S45676W80	CAP,CER 223K-B1E -CP
C1032	08S45677W32	CAP,CER.68RJ-CH1H-CP
C1033	08S45676W73	CAP,CER.103K-B1H -CP
C1034	08S45676W85	CAP,CER 104K-B1C -CP
C1035	08S45677W02	CAP,CER 1R0C-CH1H-CP
C1036	08S45677W20	CAP,CER.22RJ-CH1H-CP
C1037	08S45677W16	CAP,CER.15RJ-CH1H-CP
C1038	08S45676W85	CAP,CER 104K-B1C -CP
C1039	08S45676W85	CAP,CER 104K-B1C -CP
C1040	08S45676W73	CAP,CER.103K-B1H -CP
C1041	08S45676W65	CAP,CER.222K-B1H -CP
C1042	08S45677W60	CAP,CER 102J-CH1H-CP
C1043	08S45676W73	CAP,CER.103K-B1H -CP
C1044	08S45676W80	CAP,CER 223K-B1E -CP
C1045	08S45676W80	CAP,CER 223K-B1E -CP
C1046	08S45676W80	CAP,CER 223K-B1E -CP
C1047	08S45677W05	CAP,CER.3R0C-CH1H-CP
C1048	08S45677W12	CAP,CER.10RD-CH1H-CP
C1049	08S45677W12	CAP,CER.10RD-CH1H-CP
C1050	08S45676W73	CAP,CER.103K-B1H -CP
C1051	08S45676W73	CAP,CER.103K-B1H -CP
C1052	08S45677W12	CAP,CER.10RD-CH1H-CP
C1053	08S45676W73	CAP,CER.103K-B1H -CP
C1054	08S45676W73	CAP,CER.103K-B1H -CP
C1055	08S45677W36	CAP,CER.101J-CH1H-CP
C1056	08S45676W80	CAP,CER 223K-B1E -CP
C1057	08S45676W73	CAP,CER.103K-B1H -CP
C1058	08S65674Y05	CAP,CER 105KX5R1C-CP
C1060	08S65669Y02	CAP,CER 474KX7R1E-CP
C1061	08S65669Y02	CAP,CER 474KX7R1E-CP

CDA-9830R

C1201	08S45676W75	CAP,CER.153K-B1H -CP
C1205	08S45676W85	CAP,CER 104K-B1C -CP
C1206	08S45677W60	CAP,CER 102J-CH1H-CP
C1211	08S45677W36	CAP,CER.101J-CH1H-CP
C1214	08S45676W73	CAP,CER.103K-B1H -CP
C1216	08S65667Y04	CAP,CER 684KX5R1A-CP
C1217	08S45676W73	CAP,CER.103K-B1H -CP
C1218	08S45676W73	CAP,CER.103K-B1H -CP
C1219	08S45676W85	CAP,CER 104K-B1C -CP
C1220	08S45677W60	CAP,CER 102J-CH1H-CP
C1221	08S45676W85	CAP,CER 104K-B1C -CP
C1222	08S45676W85	CAP,CER 104K-B1C -CP
C1223	08S45676W85	CAP,CER 104K-B1C -CP
C1224	08S45676W85	CAP,CER 104K-B1C -CP
C1225	08S45676W85	CAP,CER 104K-B1C -CP
CB1001	09T65422W17	PIN,IMSA6029B-17Z-DB
CB1002	09T03499K32	BTB,53309-3291 -E9
CF1001	91T35405W02	CERFIL,SFELA10M7 -DB
CF1002	91T35405W02	CERFIL,SFELA10M7 -DB
CF1003	91T35405W02	CERFIL,SFELA10M7 -DB
D1002	48T65157W01	DIO,VAR KV1410 -XX
D1003	48T65157W01	DIO,VAR KV1410 -XX
D1004	48T65157W01	DIO,VAR KV1410 -XX
D1005	48T68806F01	DIO,1SV172/L -CP
D1013	48T68806F01	DIO,1SV172/L -CP
E1006	23S55039Y02	CAP,ELY 10R-1C -R2
E1007	23S65134W31	CAP,ELY 10R-1C(4)-E2
E1008	23S65134W31	CAP,ELY 10R-1C(4)-E2
E1011	23S55039Y02	CAP,ELY 10R-1C -R2
E1012	23S45639Y08	CAP,ELY 22R-1C -R2
E1014	23S65134W31	CAP,ELY 10R-1C(4)-E2
E1015	23S65134W31	CAP,ELY 10R-1C(4)-E2
E1201	23S45639Y08	CAP,ELY 22R-1C -R2
E1204	23S65134W31	CAP,ELY 10R-1C(4)-E2
E1205	23S65134W31	CAP,ELY 10R-1C(4)-E2
IC1001	51T65382Y01	TDA7518 -QT
IC1002	51T93333F01	NJM2904M-TE3 -SE2
IFT1001	24T45563Y01	COIL,IFT1 F/A 5PG-DB
IFT1002	24T45563Y02	COIL,IFT2 AM 5PG -DB
L1001	91T15509Y08	EMI,BK1608HM102 -CP
L1002	91T15509Y08	EMI,BK1608HM102 -CP
L1005	91T15509Y08	EMI,BK1608HM102 -CP
L1006	24T65176W37	IND,NL453232 102J-E2
L1007	24T25164Y35	IND,FSLM2520 68RJ-CP
L1010	24T65176W37	IND,NL453232 102J-E2
L1013	91T15509Y08	EMI,BK1608HM102 -CP
L1014	91T15509Y08	EMI,BK1608HM102 -CP
L1017	91T15509Y08	EMI,BK1608HM102 -CP
L1018	91T15509Y08	EMI,BK1608HM102 -CP
L1019	24T25164Y11	IND,FSLM2520 R68J-CP
L1020	24T25164Y17	IND,FSLM2520 2R2J-CP
L1021	24T25164Y12	IND,FSLM2520 R82J-CP
Q1003	48T16465W01	FET,CP.3SK195-Y-R
Q1004	48T15606Y01	FET,FC18-TL -CP
R1004	06S55365Y25	RES,RK 22RJ 1/10 -CP
R1005	06S55365Y25	RES,RK 22RJ 1/10 -CP
R1007	06S55365Y73	RES,RK 222J 1/10 -CP

R1008	06S55365Y65	RES,RK 102J 1/10 -CP
R1009	06S55365Y73	RES,RK 222J 1/10 -CP
R1010	06S55366Y38	RES,RK 105J 1/10 -CP
R1011	06S55365Y81	RES,RK 472J 1/10 -CP
R1012	06S55365Y17	RES,RK 10RJ 1/10 -CP
R1013	06S55366Y14	RES,RK 104J 1/10 -CP
R1015	06S55365Y97	RES,RK 223J 1/10 -CP
R1016	06S55365Y89	RES,RK 103J 1/10 -CP
R1017	06S55365Y41	RES,RK 101J 1/10 -CP
R1018	06S55366Y08	RES,RK 563J 1/10 -CP
R1019	06S55365Y81	RES,RK 472J 1/10 -CP
R1020	06S55366Y14	RES,RK 104J 1/10 -CP
R1023	06S55365Y83	RES,RK 562J 1/10 -CP
R1024	06S55365Y61	RES,RK 681J 1/10 -CP
R1028	06S55366Y14	RES,RK 104J 1/10 -CP
R1029	06S55366Y08	RES,RK 563J 1/10 -CP
R1030	06S55365Y83	RES,RK 562J 1/10 -CP
R1034	06S55365Y17	RES,RK 10RJ 1/10 -CP
R1037	06S55366Y08	RES,RK 563J 1/10 -CP
R1038	06S55365Y17	RES,RK 10RJ 1/10 -CP
R1043	06S55365Y09	RES,RK 4R7J 1/10 -CP
R1044	06S55365Y09	RES,RK 4R7J 1/10 -CP
R1045	06S55365Y17	RES,RK 10RJ 1/10 -CP
R1050	06S55365Y91	RES,RK 123J 1/10 -CP
R1211	06S55365Y73	RES,RK 222J 1/10 -CP
R1215	06S55361Y66	RES,RK 112J 1/4 -CP
R1216	06S55361Y66	RES,RK 112J 1/4 -CP
R1218	06S55365Y66	RES,RK 112J 1/10 -CP
VT1001	24T45428Y04	COIL,ANT1 FM 5KR -DB
VT1002	24T45429Y04	COIL,RF FM 5KR -DB
VT1003	24T45427Y03	COIL,OSC F/A 5KR -DB
XL1001	91T45560Y01	XTL,HC-49 10.25M -R5
XL1002	91T15651Y02	CERFIL,CFWLA450K -DB

=====DC-DC P.W.Board

C901	08S65671Y01	CAP,CER 226KX5R1A-CP
C902	08S65671Y01	CAP,CER 226KX5R1A-CP
C903	08S65676Y05	CAP,CER 105KX7R1E-CP
C904	08S65671Y01	CAP,CER 226KX5R1A-CP
C905	08S65676Y05	CAP,CER 105KX7R1E-CP
CH803	09-00888Z01	ASSY,WIRE DC-DC 31A
E901	23T95564W09	CAP,FC 22R-1C-C -E3
E902	23T95564W09	CAP,FC 22R-1C-C -E3
E903	23T95564W09	CAP,FC 22R-1C-C -E3
E904	23S75373W06	CAP,ELY 101-1C -R2
IC901	51T65166Y01	MAX829EUK -CP
L901	24T16271W21	IND,RCR-875D 102K +
L902	24T16271W21	IND,RCR-875D 102K +
SD901	48T95294W01	DIO,SHT MA740-TX -CP

=====DP-S MAIN P.W.Board

C101	08S45676W73	CAP,CER.103K-B1H -CP
C102	08S45676W73	CAP,CER.103K-B1H -CP
C103	08S45676W73	CAP,CER.103K-B1H -CP
C104	08S45676W73	CAP,CER.103K-B1H -CP
C105	08S45676W73	CAP,CER.103K-B1H -CP

CDA-9830R

C106	08S45676W73	CAP,CER.103K-B1H -CP
C107	08S45676W73	CAP,CER.103K-B1H -CP
C108	08S45676W73	CAP,CER.103K-B1H -CP
C109	08S45676W73	CAP,CER.103K-B1H -CP
C110	08S45676W73	CAP,CER.103K-B1H -CP
C112	08S45676W73	CAP,CER.103K-B1H -CP
C113	08S45676W73	CAP,CER.103K-B1H -CP
C116	08S45677W12	CAP,CER.10RD-CH1H-CP
C118	08S45676W73	CAP,CER.103K-B1H -CP
C120	08S45676W73	CAP,CER.103K-B1H -CP
C121	08S45676W85	CAP,CER 104K-B1C -CP
C122	08S45676W85	CAP,CER 104K-B1C -CP
C123	08S45676W73	CAP,CER.103K-B1H -CP
C124	08S45676W73	CAP,CER.103K-B1H -CP
C125	08S45676W73	CAP,CER.103K-B1H -CP
C126	08S45677W12	CAP,CER.10RD-CH1H-CP
C133	08S45676W73	CAP,CER.103K-B1H -CP
C134	08S45676W68	CAP,CER.392K-B1H -CP
C135	08S45676W73	CAP,CER.103K-B1H -CP
C201	08S45676W66	CAP,CER.272K-B1H -CP
C202	08S45676W66	CAP,CER.272K-B1H -CP
C203	08S45676W93	CAP,CER 224K-B1A -CP
C204	08S45676W85	CAP,CER 104K-B1C -CP
C206	08S45677W46	CAP,CER 271J-CH1H-CP
C207	08S45676W70	CAP,CER 562K-B1H -CP
C208	08S45676W85	CAP,CER 104K-B1C -CP
C210	08S45676W85	CAP,CER 104K-B1C -CP
C211	08S45676W93	CAP,CER 224K-B1A -CP
C212	08S45676W73	CAP,CER.103K-B1H -CP
C213	08S45676W85	CAP,CER 104K-B1C -CP
C214	08S45676W85	CAP,CER 104K-B1C -CP
C215	08S45676W85	CAP,CER 104K-B1C -CP
C216	08S45677W60	CAP,CER 102J-CH1H-CP
C401	08S45676W85	CAP,CER 104K-B1C -CP
C402	08S45676W85	CAP,CER 104K-B1C -CP
C403	08S45677W38	CAP,CER 121J-CH1H-CP
C404	08S45677W34	CAP,CER.82RJ-CH1H-CP
C406	08S45676W67	CAP,CER.332K-B1H -CP
C407	08S45676W73	CAP,CER.103K-B1H -CP
C408	08S45676W85	CAP,CER 104K-B1C -CP
C409	08S45676W85	CAP,CER 104K-B1C -CP
C410	08S45676W73	CAP,CER.103K-B1H -CP
C412	08S45676W85	CAP,CER 104K-B1C -CP
C413	08S35350Y05	CAP,CER 105K-B1A -CP
C414	08S45676W86	CAP,CER 273K-B1E -CP
C415	08S45676W72	CAP,CER 822K-B1H -CP
C418	08S45677W54	CAP,CER 561J-CH1H-CP
C419	08S45676W86	CAP,CER 273K-B1E -CP
C420	08S45676W73	CAP,CER.103K-B1H -CP
C421	08S45677W01	CAP,CER 0R5C-CH1H-CP
C422	08S45677W01	CAP,CER 0R5C-CH1H-CP
C423	08S45677W01	CAP,CER 0R5C-CH1H-CP
C424	08S45677W01	CAP,CER 0R5C-CH1H-CP
C425	08S45677W34	CAP,CER.82RJ-CH1H-CP
C427	08S45676W85	CAP,CER 104K-B1C -CP
C501	08S35350Y05	CAP,CER 105K-B1A -CP
C502	08S35350Y05	CAP,CER 105K-B1A -CP

CDA-9830R

C503	08S45677W60	CAP,CER 102J-CH1H-CP
C504	08S45677W60	CAP,CER 102J-CH1H-CP
C505	08S45677W60	CAP,CER 102J-CH1H-CP
C506	08S45677W60	CAP,CER 102J-CH1H-CP
C510	08S45676W85	CAP,CER 104K-B1C -CP
C551	08S45676W85	CAP,CER 104K-B1C -CP
C552	08S45676W85	CAP,CER 104K-B1C -CP
C601	08S45676W80	CAP,CER 223K-B1E -CP
C602	08S45677W44	CAP,CER.221J-CH1H-CP
C603	08S45677W44	CAP,CER.221J-CH1H-CP
CB101	09T45435W22	FFC,52207-2290 -EQ
CB102	09T45435W15	FFC,52207-1590 -ED
CB103	09T45435W07	FFC,52207-0790 -E9
CB104	09T35236Y22	BTB,IMSA9851S-22Y-EQ
D601	48T81063F01	DIO,CP.MA159 / TX-CP
E101	23T65680Y09	CAP,UD 101-0J -E2
E102	23T65680Y09	CAP,UD 101-0J -E2
E104	23T45152Y04	CAP,RA 10R-1C -E5
E105	23T45152Y04	CAP,RA 10R-1C -E5
E106	23T45152Y04	CAP,RA 10R-1C -E5
E401	23S55311W35	CAP,TAN 10R-1C-B -CP
E402	23S55311W35	CAP,TAN 10R-1C-B -CP
E403	23T45152Y02	CAP,RA 47R-05 -E5
E405	08S65671Y01	CAP,CER 226KX5R1A-CP
E501	23T45152Y03	CAP,RA 22R-OJ -E5
E502	23T45152Y03	CAP,RA 22R-OJ -E5
E504	23T45152Y04	CAP,RA 10R-1C -E5
E505	23T45152Y03	CAP,RA 22R-OJ -E5
E551	23T45152Y03	CAP,RA 22R-OJ -E5
E601	23T45152Y04	CAP,RA 10R-1C -E5
IC101	51T65495Y01	TMS320DA150PGE160-QT
IC103	51T65581Y01	MBM29DL800BA-90 -ST
IC104	51T65586Y01	TC74VHC139FT -SE5
IC107	51T35445Y01	TC7WHU04FU-TE12L-SE1
IC108	51T55184Y04	TAR5S16-TE85L -CP
IC109	51T65074Y13	S-80927CLMC-T2 -CP
IC110	51T35316Y01	TC7S14FU-TE85L -CP
IC201	51T55223Y02	MN6627482WB -QT
IC401	51T45331Y01	AN22000A-E1 -SE9
IC501	51T16025W01	IC,NJM2100M-TE3-SE03
IC503	51T35410Y01	S-817A33ANB-T2 -CP
IC504	51T11054W02	NJM78L05UA-TE1 -NE2
IC601	51T55093Y01	BA5984FP-E2 -SEA
L102	24T25164Y21	IND,FSLM2520 4R7J-CP
L104	24T25164Y21	IND,FSLM2520 4R7J-CP
Q401	48T55462Y01	TR,2SB1132-QR-100-E2
R101	06S45674W97	RES,RK 473J 1/10 -CP
R102	06S45674W97	RES,RK 473J 1/10 -CP
R103	06S45674W97	RES,RK 473J 1/10 -CP
R104	06S45674W97	RES,RK 473J 1/10 -CP
R105	06S45674W97	RES,RK 473J 1/10 -CP
R106	06S45674W97	RES,RK 473J 1/10 -CP
R107	06S45674W97	RES,RK 473J 1/10 -CP
R108	06S45674W97	RES,RK 473J 1/10 -CP
R109	06S45674W97	RES,RK 473J 1/10 -CP
R110	06S45674W97	RES,RK 473J 1/10 -CP
R113	06S45674W97	RES,RK 473J 1/10 -CP

R114	06S45674W97	RES,RK 473J 1/10 -CP
R115	06S45674W97	RES,RK 473J 1/10 -CP
R116	06S45674W33	RES,RK 101J 1/10 -CP
R119	06S45675W06	RES,RK 104J 1/10 -CP
R121	06S45674W89	RES,RK 223J 1/10 -CP
R122	06S45674W89	RES,RK 223J 1/10 -CP
R124	06S45674W97	RES,RK 473J 1/10 -CP
R125	06S45674W97	RES,RK 473J 1/10 -CP
R126	06S45674W97	RES,RK 473J 1/10 -CP
R127	06S45674W97	RES,RK 473J 1/10 -CP
R129	06S45674W41	RES,RK 221J 1/10 -CP
R130	06S45675W43	RES,RK JUMPER1/10-CP
R135	06S45675W43	RES,RK JUMPER1/10-CP
R137	06S45674W21	RES,RK 33RJ 1/10 -CP
R138	06S45675W30	RES,RK 105J 1/10 -CP
R140	06S45674W21	RES,RK 33RJ 1/10 -CP
R141	06S45674W33	RES,RK 101J 1/10 -CP
R142	06S45675W43	RES,RK JUMPER1/10-CP
R143	06S45675W43	RES,RK JUMPER1/10-CP
R144	06S45675W43	RES,RK JUMPER1/10-CP
R145	06S45675W43	RES,RK JUMPER1/10-CP
R146	06S45674W33	RES,RK 101J 1/10 -CP
R147	06S45674W33	RES,RK 101J 1/10 -CP
R148	06S45674W33	RES,RK 101J 1/10 -CP
R151	06S45674W33	RES,RK 101J 1/10 -CP
R152	06S45674W33	RES,RK 101J 1/10 -CP
R201	06S45674W97	RES,RK 473J 1/10 -CP
R202	06S45675W43	RES,RK JUMPER1/10-CP
R204	06S45675W14	RES,RK 224J 1/10 -CP
R207	06S45675W43	RES,RK JUMPER1/10-CP
R208	06S45674W41	RES,RK 221J 1/10 -CP
R209	06S45675W04	RES,RK 823J 1/10 -CP
R210	06S45675W06	RES,RK 104J 1/10 -CP
R213	06S45674W97	RES,RK 473J 1/10 -CP
R214	06S45674W97	RES,RK 473J 1/10 -CP
R218	06S45675W43	RES,RK JUMPER1/10-CP
R219	06S45675W43	RES,RK JUMPER1/10-CP
R401	06S45674W82	RES,RK 113J 1/10 -CP
R402	06S45675W43	RES,RK JUMPER1/10-CP
R403	06S45675W43	RES,RK JUMPER1/10-CP
R404	06S45674W82	RES,RK 113J 1/10 -CP
R405	06S55366Y23	RES,RK 244J 1/10 -CP
R406	06S45675W14	RES,RK 224J 1/10 -CP
R407	06S45674W95	RES,RK 393J 1/10 -CP
R408	06S55366Y08	RES,RK 563J 1/10 -CP
R409	06S45675W43	RES,RK JUMPER1/10-CP
R410	06S45674W81	RES,RK 103J 1/10 -CP
R414	06S45674W89	RES,RK 223J 1/10 -CP
R415	06S45674W81	RES,RK 103J 1/10 -CP
R417	06S45675W43	RES,RK JUMPER1/10-CP
R418	06S70072F90	RES,CP .1R0-J-1/4-CP
R419	06S45674W71	RES,RK 392J 1/10 -CP
R420	06S45674W77	RES,RK 682J 1/10 -CP
R421	06S45674W65	RES,RK 222J 1/10 -CP
R422	06S45674W55	RES,RK 821J 1/10 -CP
R428	06S45674W65	RES,RK 222J 1/10 -CP
R430	06S45674W55	RES,RK 821J 1/10 -CP

R435	06S45674W89	RES,RK 223J 1/10 -CP
R501	06S55365Y96	RES,RK 203J 1/10 -CP
R502	06S55365Y96	RES,RK 203J 1/10 -CP
R503	06S55365Y97	RES,RK 223J 1/10 -CP
R504	06S55365Y97	RES,RK 223J 1/10 -CP
R505	06S55365Y79	RES,RK 392J 1/10 -CP
R506	06S55365Y79	RES,RK 392J 1/10 -CP
R507	06S55365Y79	RES,RK 392J 1/10 -CP
R508	06S55365Y79	RES,RK 392J 1/10 -CP
R509	06S55366Y14	RES,RK 104J 1/10 -CP
R510	06S55366Y14	RES,RK 104J 1/10 -CP
R511	06S55365Y89	RES,RK 103J 1/10 -CP
R512	06S55365Y89	RES,RK 103J 1/10 -CP
R513	06S55365Y89	RES,RK 103J 1/10 -CP
R514	06S55365Y89	RES,RK 103J 1/10 -CP
R515	06S55365Y49	RES,RK 221J 1/10 -CP
R516	06S55365Y49	RES,RK 221J 1/10 -CP
R517	06S55365Y93	RES,RK 153J 1/10 -CP
R518	06S55365Y93	RES,RK 153J 1/10 -CP
R519	06S55365Y89	RES,RK 103J 1/10 -CP
R520	06S55365Y89	RES,RK 103J 1/10 -CP
R550	06S45674W13	RES,RK 15RJ 1/10 -CP
R551	06S45674W13	RES,RK 15RJ 1/10 -CP
R603	06S45674W89	RES,RK 223J 1/10 -CP
R604	06S45674W89	RES,RK 223J 1/10 -CP
R605	06S45674W81	RES,RK 103J 1/10 -CP
R606	06S45674W81	RES,RK 103J 1/10 -CP
R607	06S45675W43	RES,RK JUMPER1/10-CP
R608	06S45674W89	RES,RK 223J 1/10 -CP
R609	06S45674W73	RES,RK 472J 1/10 -CP
R610	06S45674W33	RES,RK 101J 1/10 -CP
R611	06S45674W93	RES,RK 333J 1/10 -CP
R612	06S45674W85	RES,RK 153J 1/10 -CP
R613	06S45674W33	RES,RK 101J 1/10 -CP
R616	06S45675W43	RES,RK JUMPER1/10-CP
R617	06S45674W97	RES,RK 473J 1/10 -CP
R618	06S45674W33	RES,RK 101J 1/10 -CP
R619	06S45674W89	RES,RK 223J 1/10 -CP
R620	06S45674W33	RES,RK 101J 1/10 -CP
R621	06S45675W43	RES,RK JUMPER1/10-CP
R622	06S45675W22	RES,RK 474J 1/10 -CP
RA101	06S45591W02	RES,ARY MNR473J 4-CP
RA102	06S45591W02	RES,ARY MNR473J 4-CP
RA103	06S45591W02	RES,ARY MNR473J 4-CP
RA104	06S45591W07	RES,ARY MNR101J 4-CP
RA105	06S45591W07	RES,ARY MNR101J 4-CP
RA106	06S45591W07	RES,ARY MNR101J 4-CP
RA107	06S45591W07	RES,ARY MNR101J 4-CP
RA108	06S45591W07	RES,ARY MNR101J 4-CP
RA109	06S45591W07	RES,ARY MNR101J 4-CP
RA110	06S45591W07	RES,ARY MNR101J 4-CP
RA111	06S45591W07	RES,ARY MNR101J 4-CP
RA112	06S45591W07	RES,ARY MNR101J 4-CP
RA113	06S45591W07	RES,ARY MNR101J 4-CP
RA115	06S45591W07	RES,ARY MNR101J 4-CP
RA116	06S45591W07	RES,ARY MNR101J 4-CP
RA117	06S45591W07	RES,ARY MNR101J 4-CP

RA201	06S45591W07	RES,ARY MNR101J 4-CP
RA202	06S45591W07	RES,ARY MNR101J 4-CP
RA203	06S45591W07	RES,ARY MNR101J 4-CP
XL102	91T35227Y01	XTL,CS10 16.9344M-E2
=====Miscellaneous		
ANT001	01T03151K05	ASSY,ANTCABLE ISO35R
CB801	09T35343Y16	WTB,IMSA9451B-16 -DB
CH401	09T03493K15	BTB,55323-1511 -B
CH511	01T02295K03	ASSY,UNIZON CONN 93R
CH701	01T75363Y02	ASSY,AMP LINK 9831A
CH831	01T25413Y01	ASSY,CONN 2P
DIN801	09T55071W11	CON,TCP9389-11 -DT
JK201	01T02234K03	ASSY,CONN NLT1661 (F/R)
JK601	09T03156K01	JAC,CK-3.5-14 -DB
LCD401	65T65153Y10	LCD,WTD-22158AAHU-CU
M802	59T03808K01	MOTOR,DF251R-12LC-07 (FAN MOTOR/12V-60mA)
M831	59T65085W01	MOTOR,LOAD FF-050SK (NOSE MOTOR/7V-370mA)
RCA201	01T35497Y38	ASSY,WIRE RCA 9831R (SUB-W)
SW201	40T45282W02	SW,SLIDE SLD-42-508X (Ai-NET(EQ/DIV)/NORM)
SW405	40T55277Y04	ENC,EC11E1544509 -B (ROTARY ENCODER/MODE)
SW602	40T15494Y08	SW,DETCT SPVG11 -E6 (NOSE OPEN DET)
SW603	40T15494Y07	SW,DETCT SPVG21 -E6 (NOSE CLOSE DET)
=====DP23S27R		
HD101	81B60955Y01	PICKUP,EP21A68L
M101	01V56100Y14	ASSY,MOTOR WORM 2BO (3.5V-80mA)
M102	01V56100Y12	ASSY,MOTOR SLED 2BO (3.5V-80mA)
M103	01V56100Y11	ASSY,MTR SPINDOL 2BO (3V-90mA)
SW1	40T15494Y01	SW,DETCT SPVG23 -E6 (12cm DISC DETECT (EJECT POSITION/RELOAD))
SW2	40T15494Y02	SW,DETCT SPVG13 -E6 (8/12cm DISC DETECT (INSERT/PULL OUT))
SW3	40T15494Y07	SW,DETCT SPVG21 -E6 (8cm DISC DETECT (EJECT POSITION/RELOAD))
SW4	40T15494Y01	SW,DETCT SPVG23 -E6 (DISC CHUCKING END DETECT)
SW105	40T71025F03	SW,DETCT SPPB120 (LIMIT)