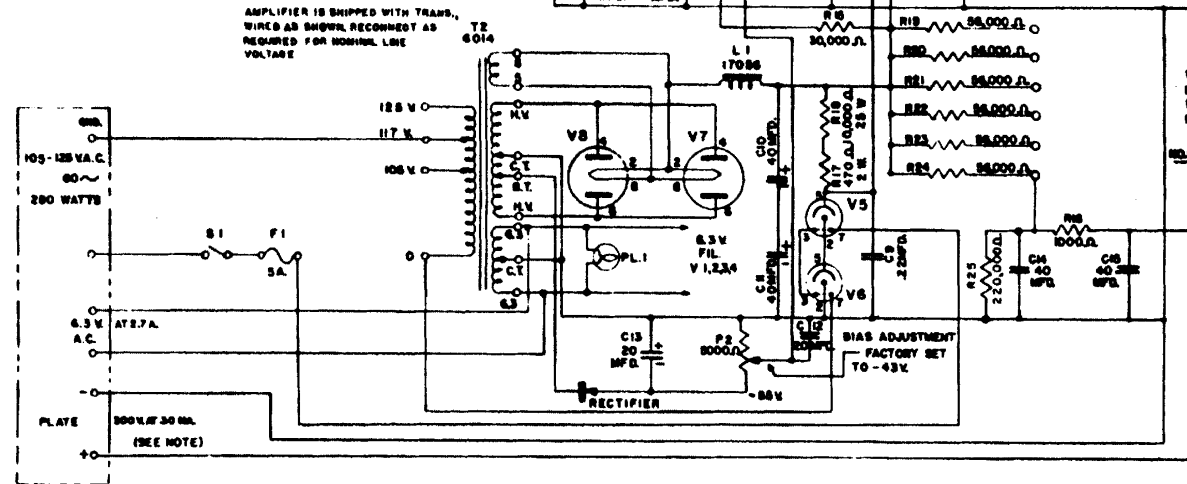
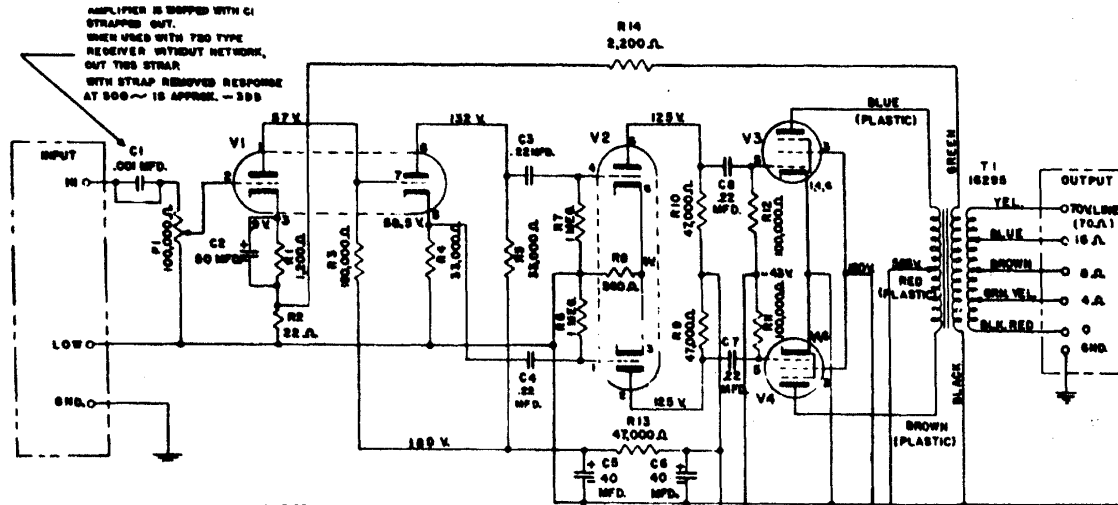


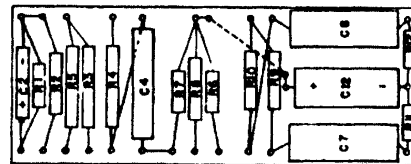
1530 A

Altec Lansing



PARTS LIST	
C1	100 MFD 500V KMG A92L-10R
C2	50MFD 25V CARB. 50-3
C3, C4, C5	22MFD 500V MCANOLA
C10, C11	(1) 50MFD 500V MALLORY P.F. 10R
C12, C13	20MFD 500V CARB. 50R
R20	220,000 OHMS 2W 1/2%
R1	1000 OHMS 1/2W 2 1/2%
R2	22
R3	100000
R4, R5	33000
R6, 7	100K 1/2W
R8	500
R9, 10, 11	50000
R12, R13	100000
R14	2,200
R15	30,000 10W 50MAYK
R16	1000 2W 2 1/2%
R17	470
R18	10,000 2 1/2W 50MAYK
R19-20 (M.C.)	50,000
P1	100,000 OHMS ALLEN BRADLEY J.A. 10H
P2	5000 W.W. I.R. S. W5000
S1	ROTARY SWITCH 5 MAX. H.H. 50R
T1	16250
T2	5000
V1	6AV6 (6E)
V2	6AV7 (6E)
V3, 4	6AR5 (R.C.A.)
V5	6AR5 VRT5
V6	6X5 VRT5
V7, 8	6X4GT

11430-5



ALTEC LANSING
1530A AMPLIFIER

OPERATING DATA	
GAIN (FROM 100,000 OHM SOURCE)	75DB
POWER OUTPUT	75 WATTS @ 80% T.D.D.
FREQUENCY RESPONSE	20-20,000 HZ TO 0.001% ~
BIAS LEVEL	-43VOLTS
REF.	0 DBM - 0.0001 W