

# Service Manual

**Model: DJM-2**(2-CHANNEL DJ MIXER)



[www.altoproaudio.com](http://www.altoproaudio.com)

Version: 1.1

# **CONTENTS**

- 1. Specification**
- 2. Block Diagram**
- 3. Schematic Diagram**
- 4. Printed Circuit Board**
- 5. Wiring Diagram**
- 6. Test Procedure**
- 7. Electrical Parts List**
- 8. Exploded Views & Mechanical Parts List**
- 9. Notes**

## 4. TECHNICAL SPECIFICATIONS

### INPUTS

Phono Inputs 1 and 2	48dB gain@1kHz, unbalanced
Line Inputs 1 and 2	8dB gain, unbalanced
Mic Input	58dB gain, servo - balanced

### OUTPUTS

Headphones	typically 125mW@ 1% THD
Main Out	max +21dBu
Tape Out	typically 0dBu

### GENERAL

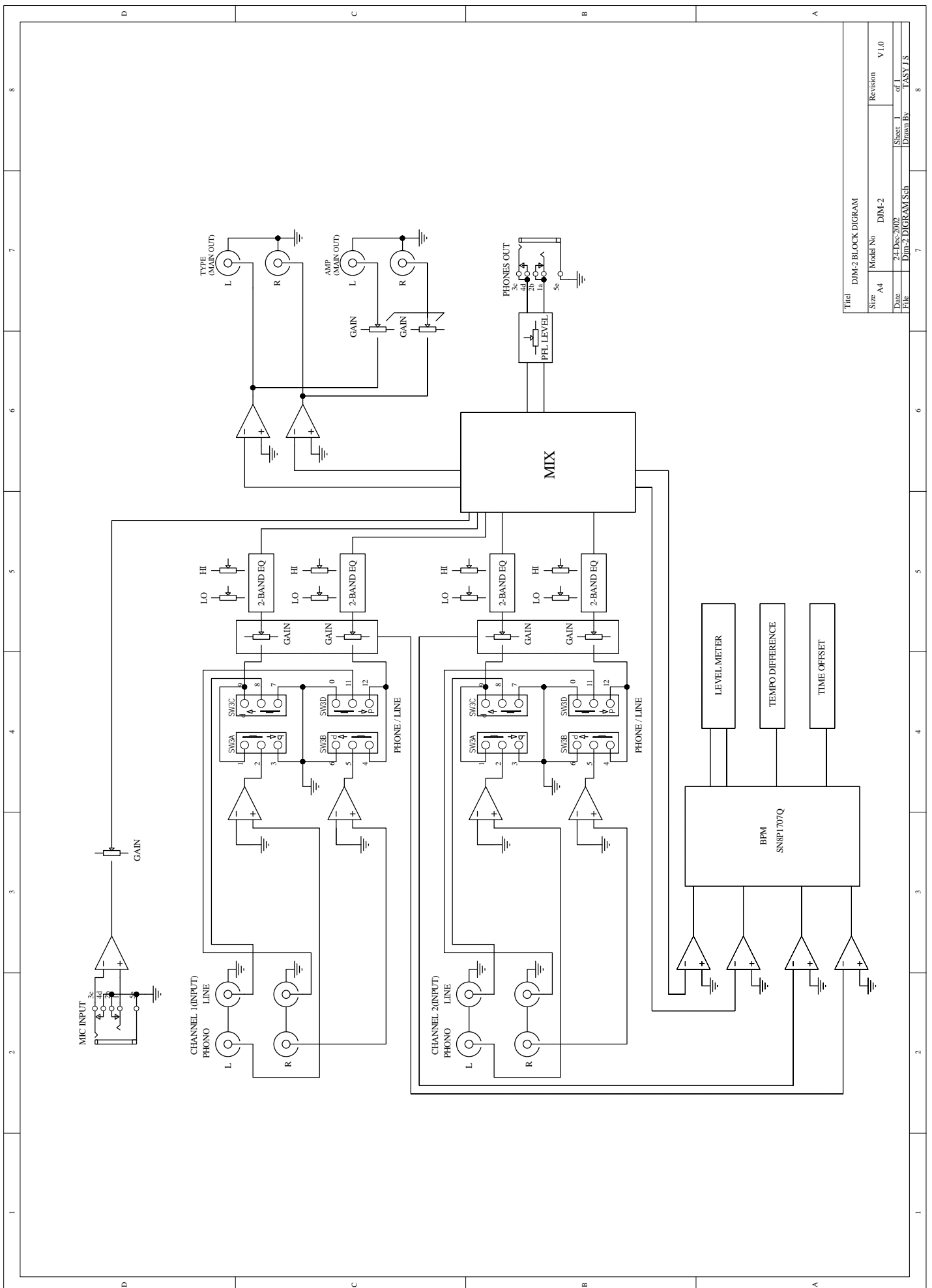
Stereo Bass	+15dB/ - 30dB
Stereo Treble	+15dB/ - 30dB
Input Gain Adjustment	- 20dB - +6dB ( $\pm 3$ dB)
Signal- to - Noise ratio (S/N)	>85dB (LINE)
Distortion (THD)	<0.1%
Frequency Response	20Hz - 20KHz ( $\pm 2$ dB)

### POWER SUPPLY

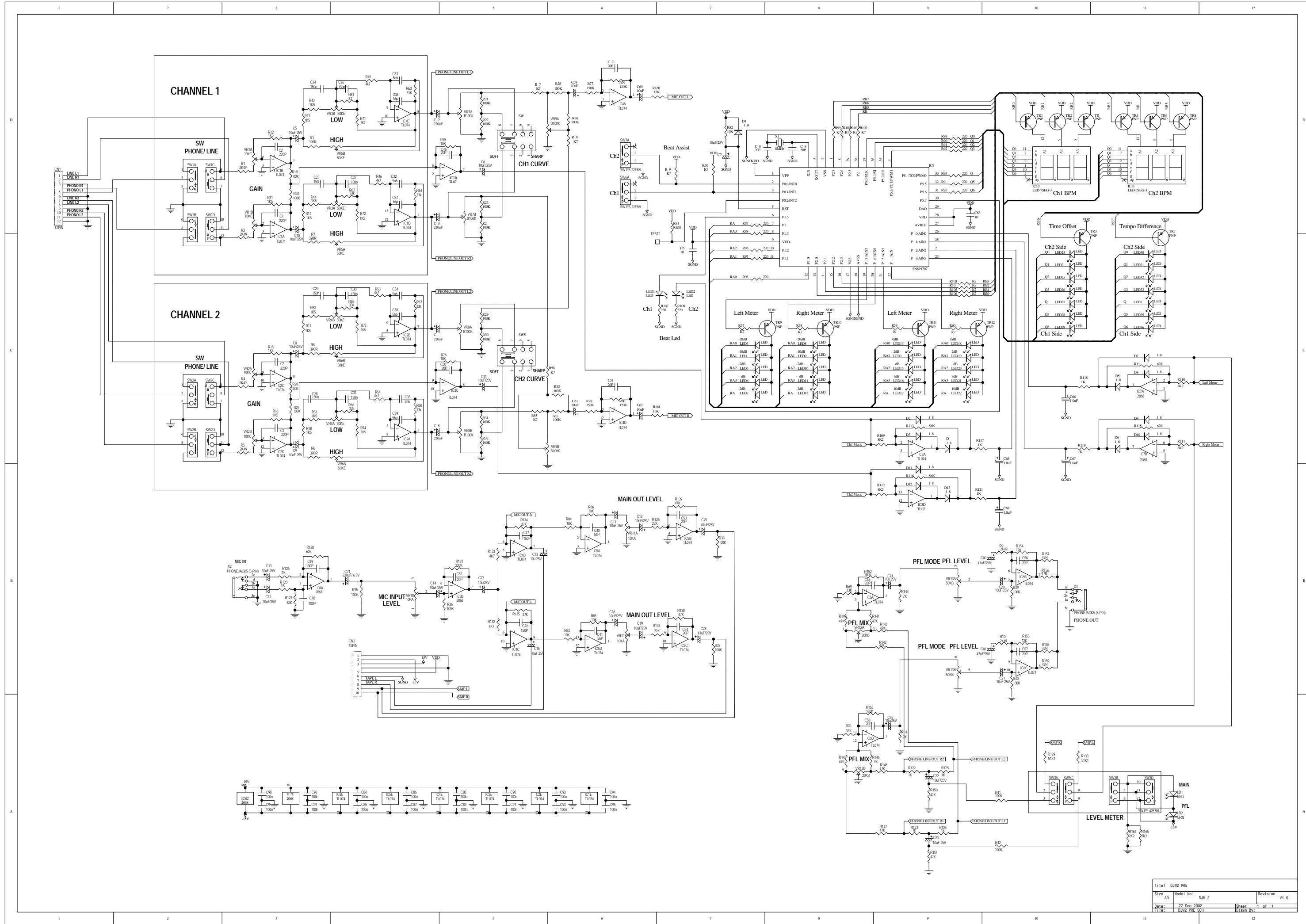
Connector type	3 - pole IEC, grounded
Mains Voltage	USA / Canada 100 - 120V~, 60Hz Europe 210 - 240V~, 50Hz U.K. / Australia 240V~, 50Hz
Rated Power Consumption	10watts
Fuse	100 - 120V~ : T200mAL 210 - 240V~ : T100mAL

### DIMENSION AND WEIGHT

Dimension	221.5(L)×245(W)×76.6(H)mm (8.7"×9.6"×3.0")
Weight	2.6Kg (5.73lb)



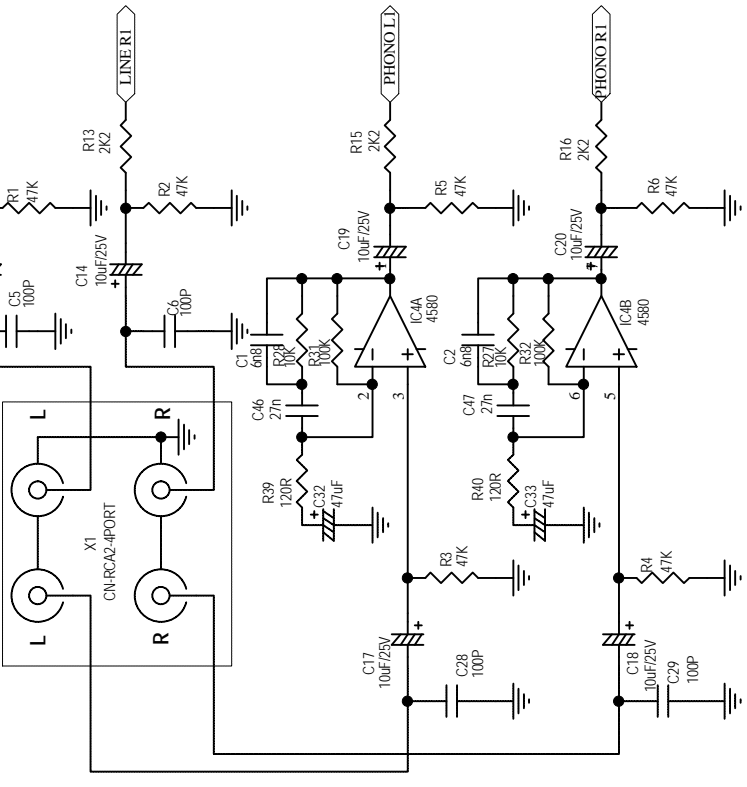
Title		DJM-2 BLOCK DIAGRAM	
Size	A4	Model No	DJM-2
Date	24 DEC 2008	Sheet	1 of 1
File	DJM-2.DIGRAM Sch	Drawn By	PASY JS
Revision		V 1.0	



Titel DJI2 PRE		Revision V1 0
Size A3	Model No: DJI 2	Sheet 1 of 1
Date: 27 DEC 2002	Drawn By:	
File: DJI2.PRF.SCH		

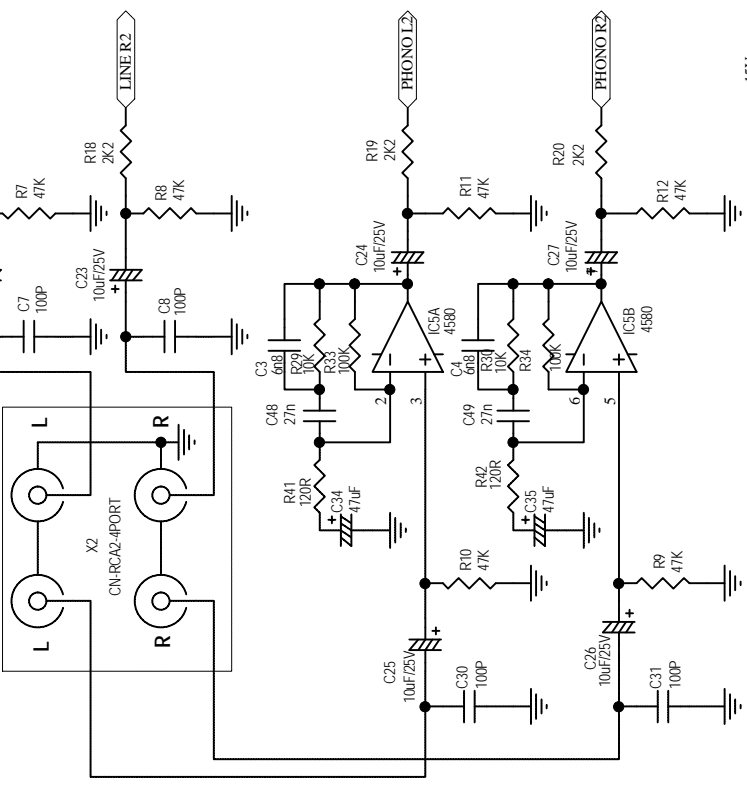
### CHANNEL 1

#### PHONO (INPUT1) LINE (INPUT1)

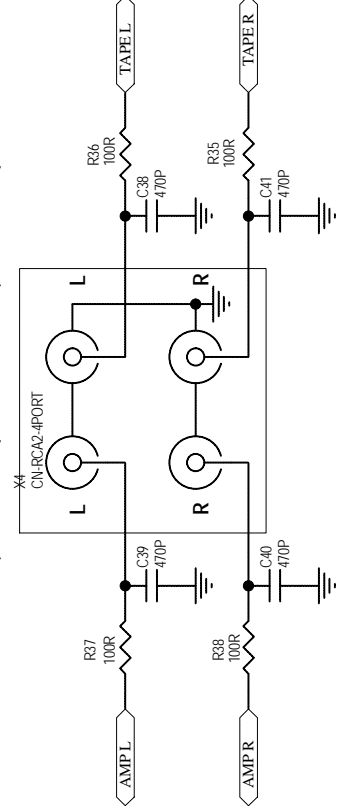


### CHANNEL 2

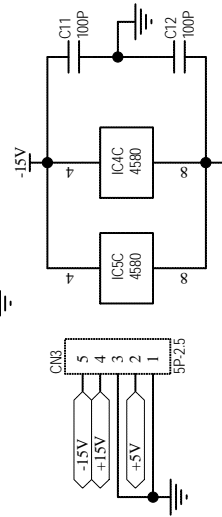
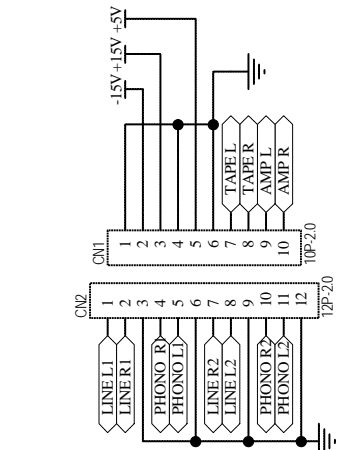
#### PHONO (INPUT2) LINE (INPUT2)



### AMP (MAIN OUT)



### TAPE (MAIN OUT)



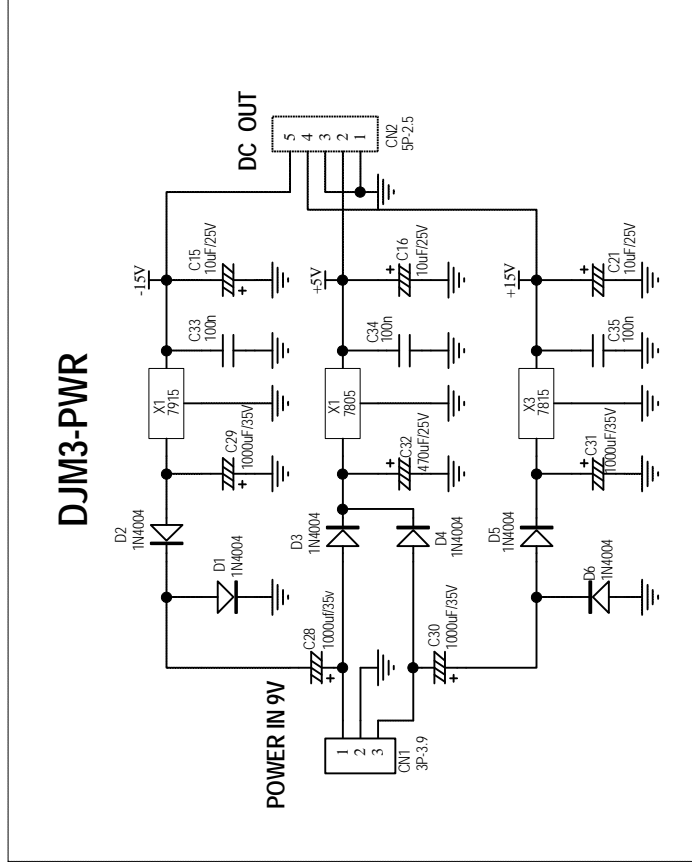
Title	DJM2-PU	Revision	V1.0
Size	A4	Model No:	DJM-2
Date:	25-Dec-2002	Sheet	1 of 1
File:	DJM2-PU.SCH	Drawn By:	J.S.TASY

D

C

B

A



D

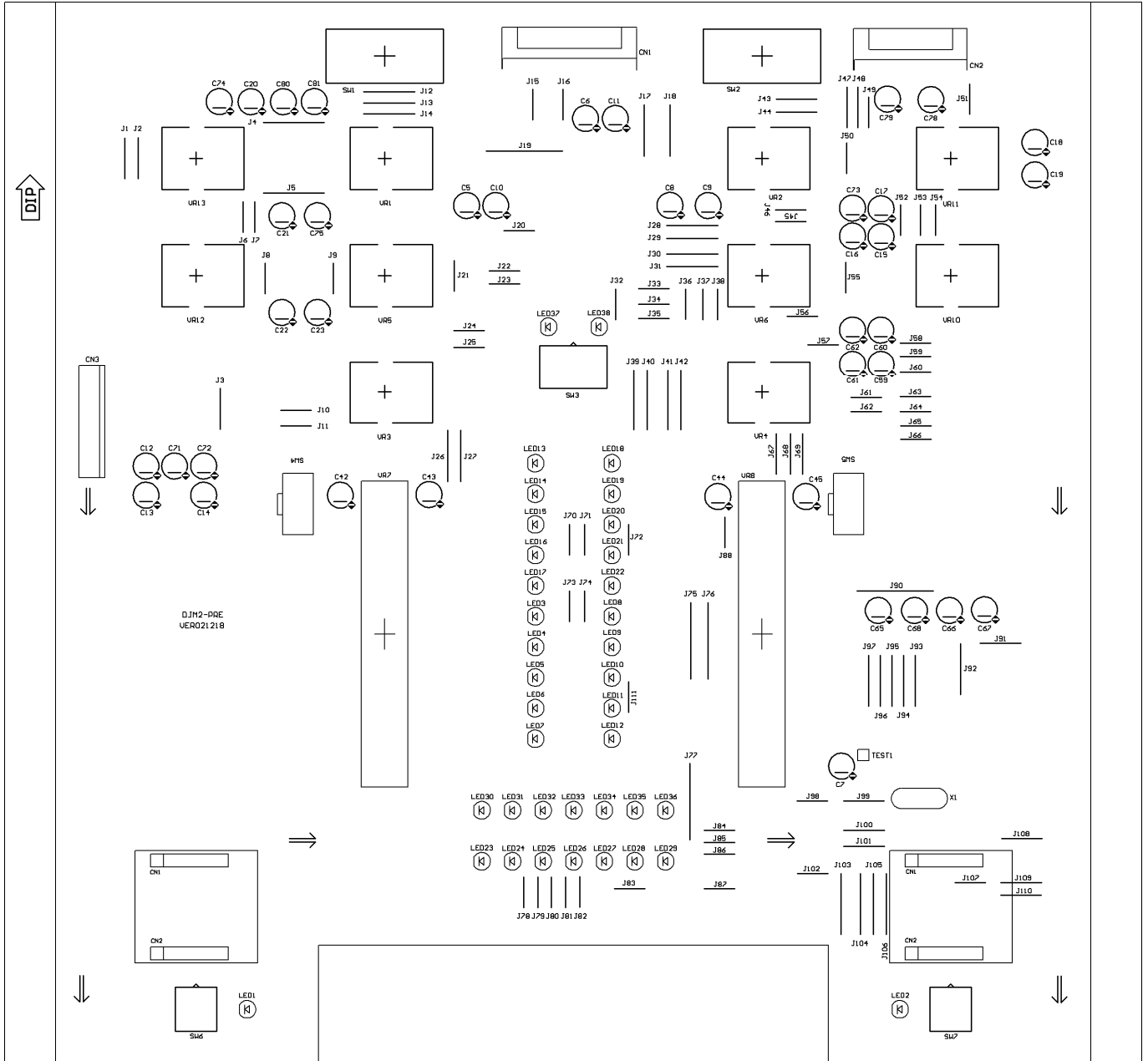
C

B

A

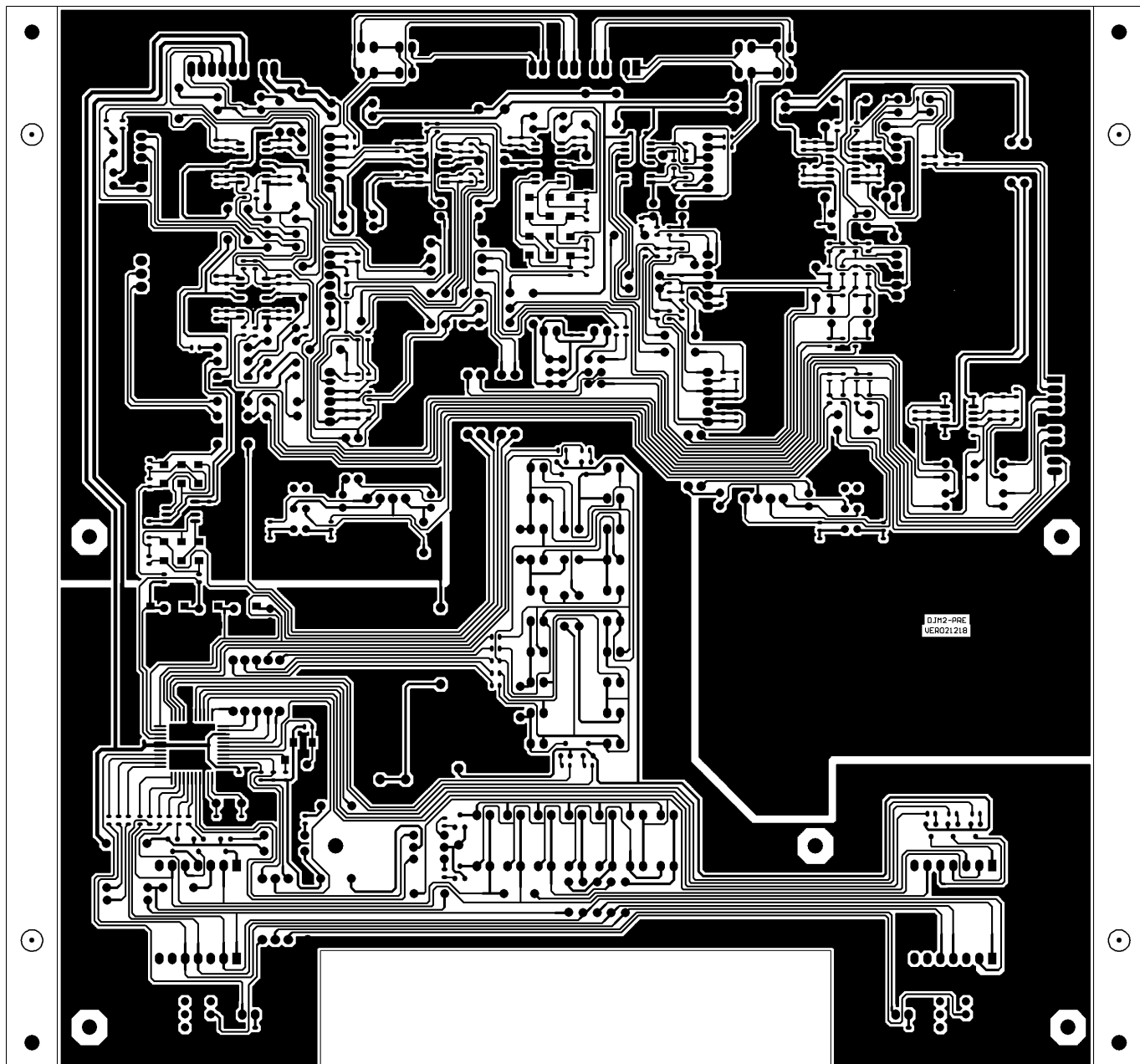
Title		DJM3-PWR	
Size	A4	Model No:	DJM-3
Date:	25-Dec-2002	Revision	V1.0
File:	DJM3-PWR.SCH	Sheet	1 of 1
		Drawn By:	J.S.TASY

# 4. PRINTED CIRCUIT DIAGRAM

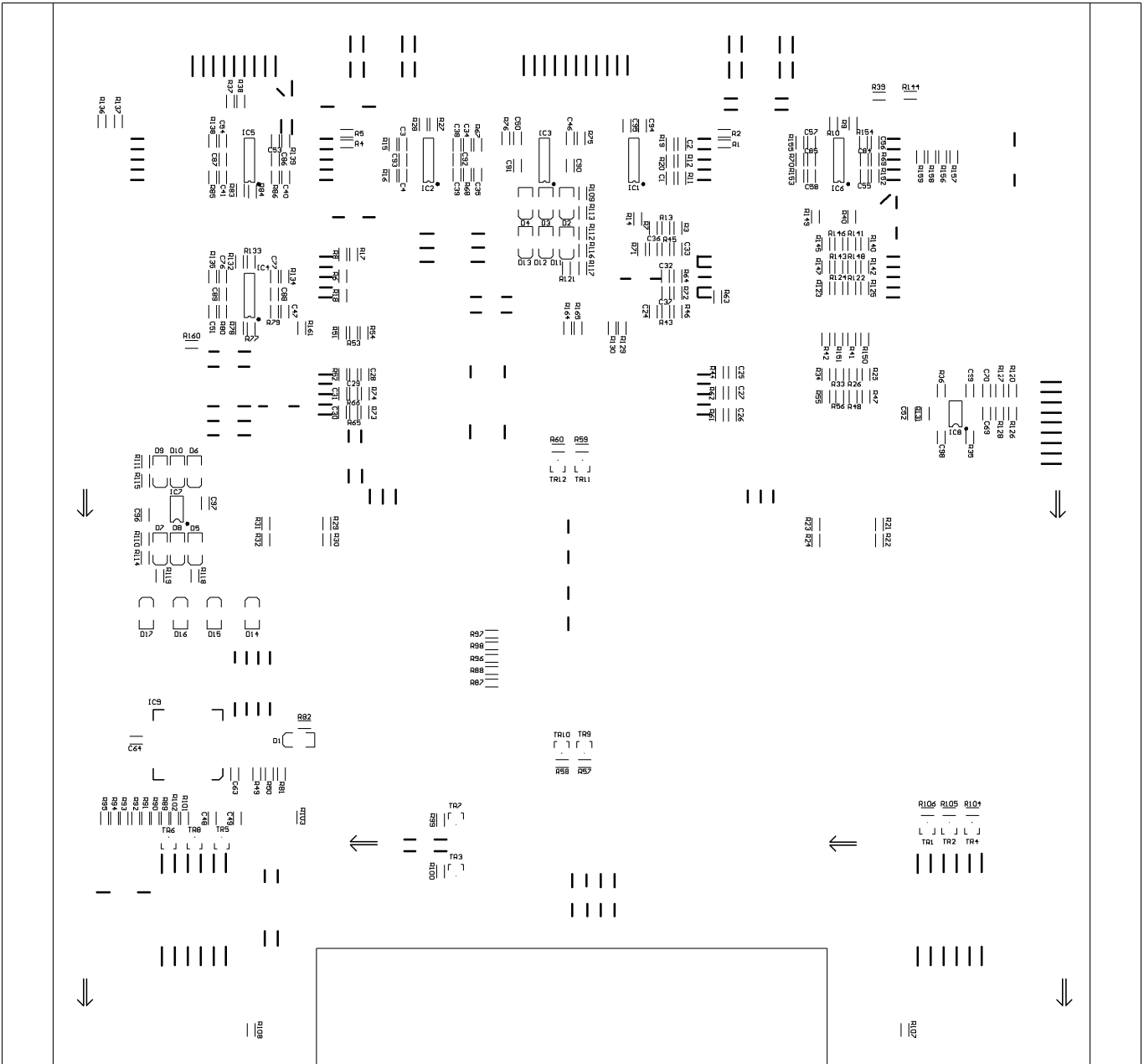


PCB : DJM2-PRE Top Overlay

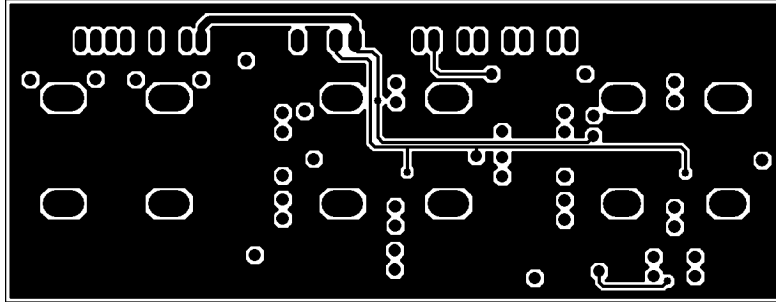




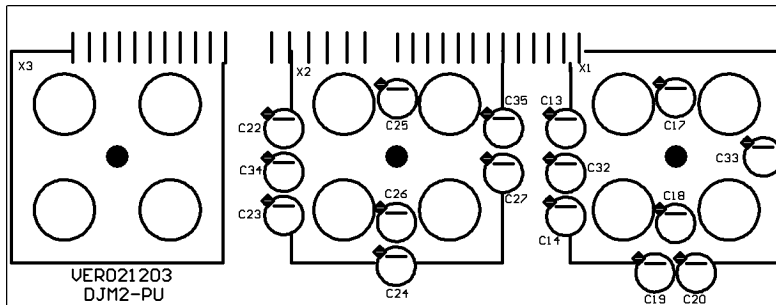
PCB : DJM2-PRE Bottom Layer



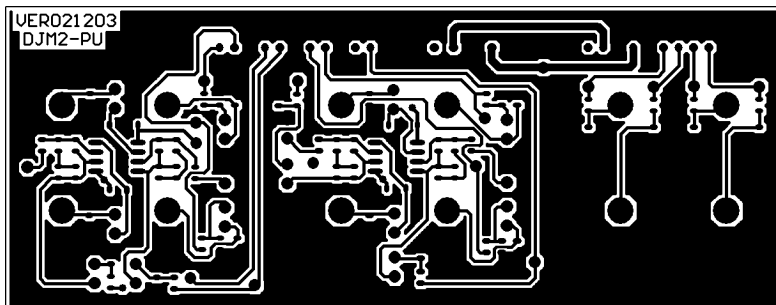
PCB : DJM2-PRE Bottom Overlayer



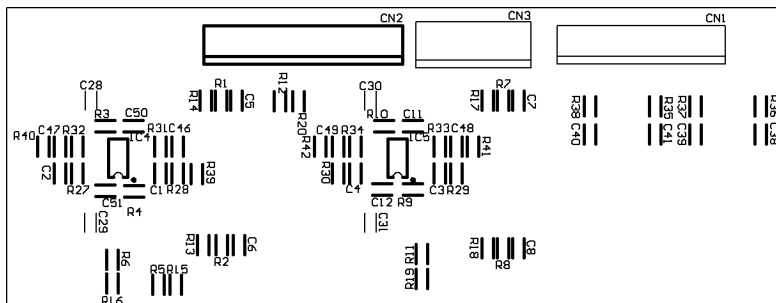
PCB : DJM2-PU Top Layer



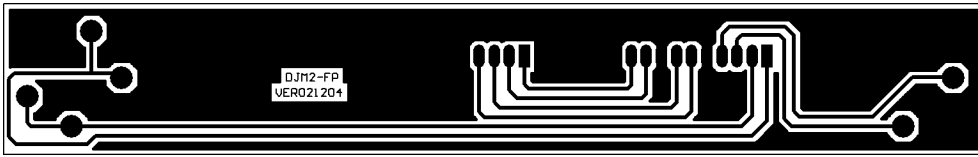
PCB : DJM2-PU Top Overlay



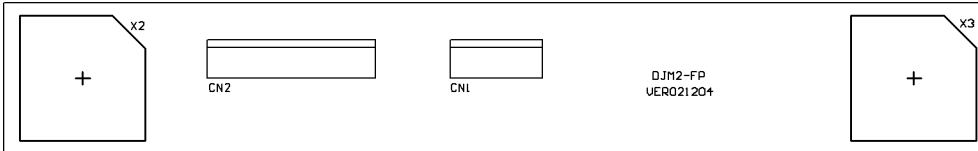
PCB : DJM2-PU Bottom Layer



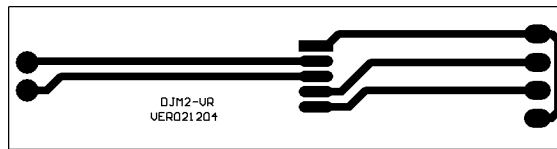
PCB : DJM2-PU Bottom Overlay



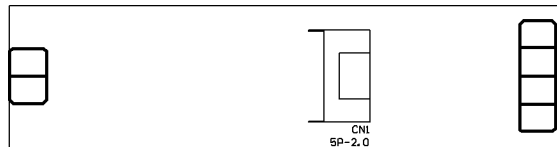
PCB : DJM2-FP Bottom Layer



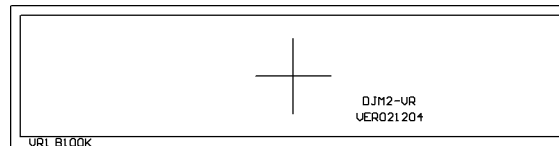
PCB : DJM2-FP Top Overlay



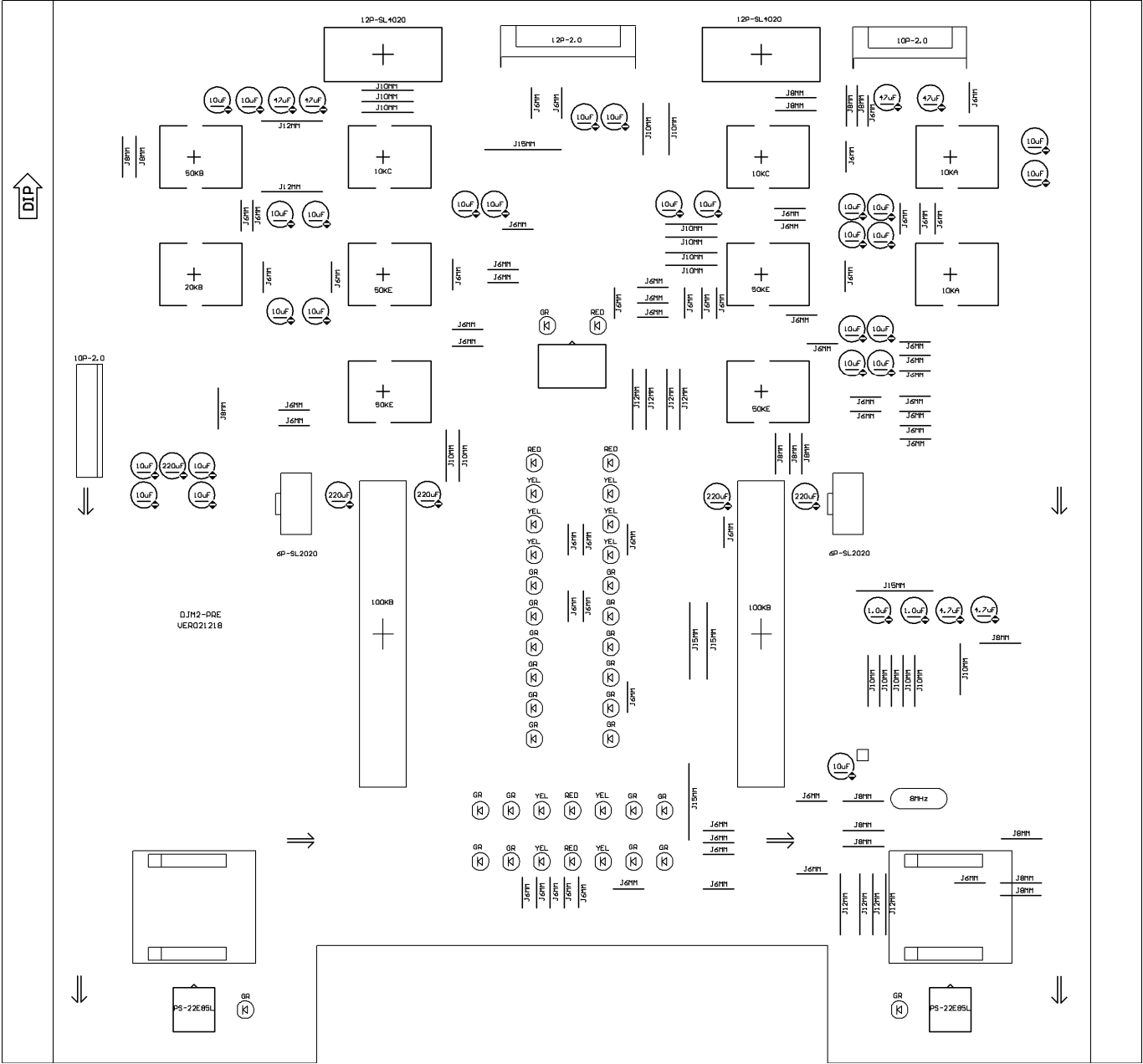
PCB : DJM2-VR Bottom Layer



PCB : DJM2-VR Bottom Overlay

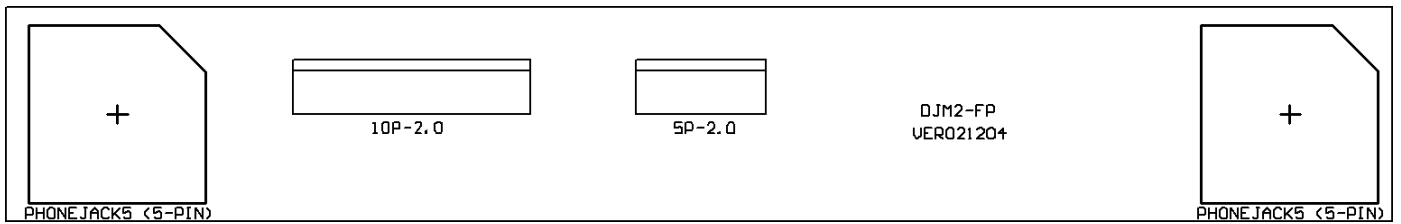
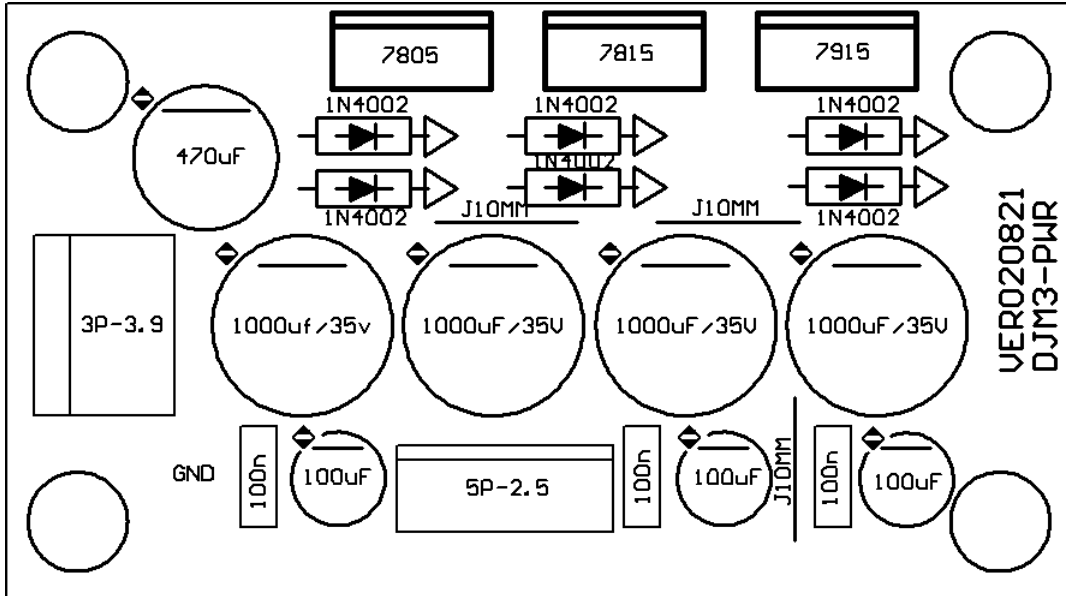


PCB : DJM2-VR Top Overlay



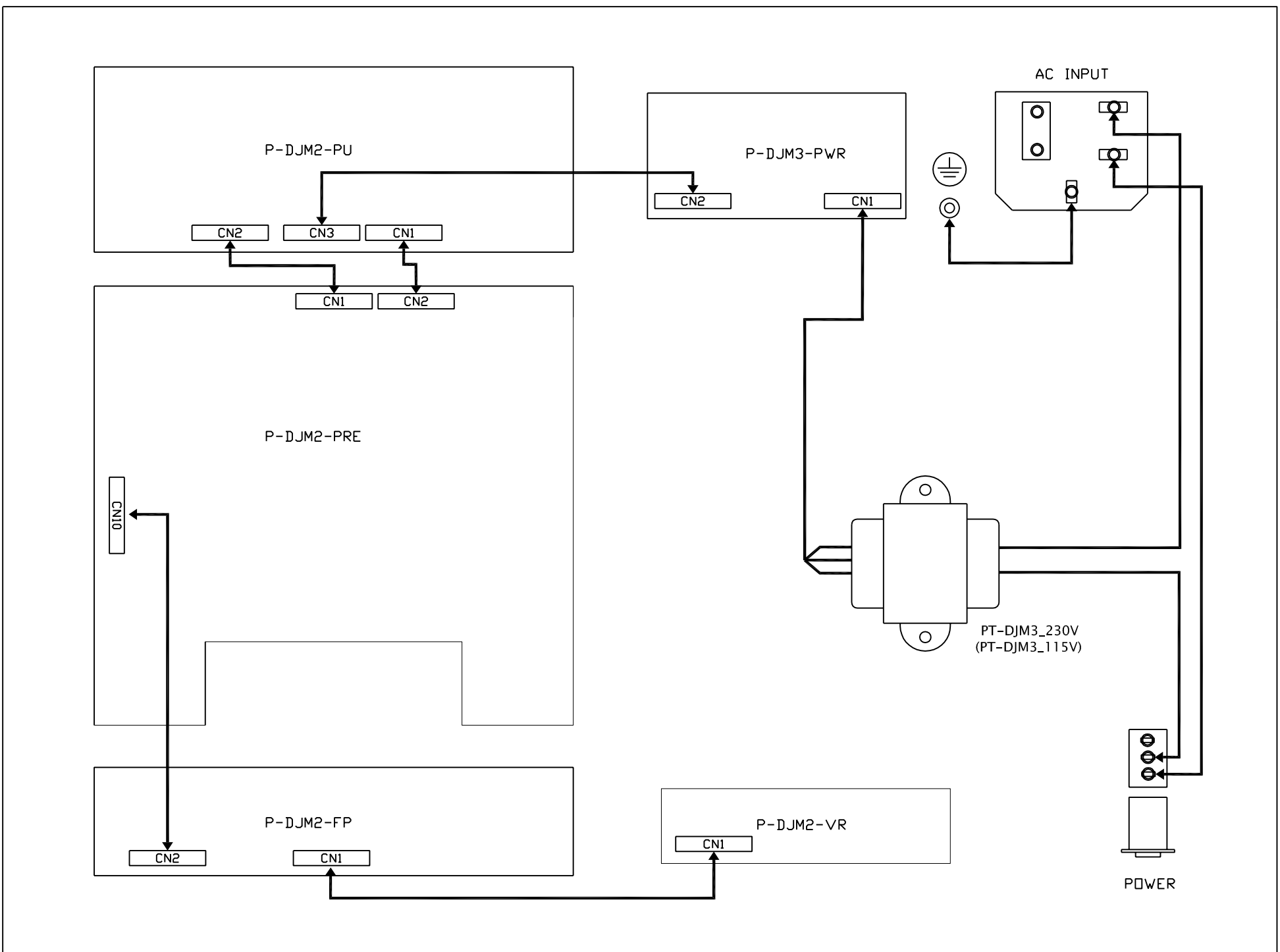








# 5. DJM-2 WIRE CONFIGURATION (全機配線圖)



Multi-Level BOM Structure Listing

Report No.: IEBO\_P02  
 Prepared by 000011[YAFEN]  
 Item No. PF00409 Version  
 DESCRIPTION DJM-2

Date 2003/09/03  
 Page No.: 1/15

UNIT: PCS  
 Date: 2003/01/04

DJM-2\_ALTO\_230V\_歐規\_無

Version	Item No	Loss %	Ver.	Unit	Cardinal Usage Rate	Effective Date @:Phantom Layer
0001-----	MA03724 panel			PCS	1.0000 1	2003/01/04 Y
	DJM-2 ALTO				0.00 %	
0002-----	MI01575 side board			PCS	1.0000 1	2003/01/04 Y
	DJM-2				0.00 %	
0003-----	MI01579 side board			PCS	1.0000 1	2003/01/04 Y
	DJM-2 ALTO				0.00 %	
0004-----	NI00826 plastic knob			PCS	10.0000 1	2003/01/04 Y
	12*18 double color				0.00 %	
0005-----	HI00019 power switch			PCS	1.0000 1	2003/01/04 Y
	4P MSR-8				0.00 %	
0006-----	HD00021 fuse(T)			PCS	1.0000 1	2003/01/04 Y
	100mA 250V 5.2*20mm CSA/S/UL/VDE				0.00 %	
0007-----	TC00133 transformer			PCS	1.0000 1	2003/01/04 Y
	PT-DJM3_230V				0.00 %	
0008-----	HA01835 wire UL1617 22AWG			PCS	1.0000 1	2003/01/04 Y
	80 brown				0.00 %	
0009-----	HA01174 wire CF:W146			PCS	1.0000 1	2003/01/04 Y
	80 green/yellow				0.00 %	
0010-----	MH01448 horizontal switch handle			PCS	2.0000 1	2003/01/04 Y
	5*20mm black LF20BK				0.00 %	
0011-----	NI01164 slide trough			PCS	2.0000 1	2003/01/04 Y
	3.7*12*70 DJ-MIX				0.00 %	
0012-----	NI02596 knob			PCS	3.0000 1	2003/04/04 Y
	17*10*11(C-B2) black				0.00 %	
0013-----	NI01183 key			PCS	3.0000 1	2003/01/04 Y
	7.5*13 black				0.00 %	
0014-----	NI00498 foot cushion			PCS	4.0000 1	2003/01/04 Y
	12.7*7*6mm(SF-005)				0.00 %	
0015-----	NI01587 cushion			PCS	1.0000 1	2003/01/04 Y
	73*29*2.2 black				0.00 %	

SEKAKU ELECTRON INDUSTRY CO.,LTD

IEBO\_P02

IEBO\_P02

Multi-Level BOM Structure Listing

Report No.: IEBO\_P02  
 Prepared by 000011[YAFEN]  
 Item No. PF00409 Version  
 DESCRIPTIO DJM-2

Date 2003/09/03  
 Page No.: 2/15

UNIT: PCS  
 Date: 2003/01/04

DJM-2\_ALTO\_230V\_歐規\_無

Version	Item No	Loss %	Ver.	Unit	Cardinal Usage Rate	Effective Date @:Phantom Layer
0016-----	NI00261				5.0000	2003/01/04
	sleeving flame retardant			PCS	1	Y
	5*20mm				0.00 %	
0017-----	HC00008				1.0000	2003/01/04
	AC outlet			PCS	1	Y
	3515 A TYPE(RF-2004-C-4.8)				0.00 %	
0018-----	HA00861				1.0000	2003/01/04
	power cord Europe 3P			PCS	1	Y
	LT-312+0.75*3C(H05VV-F) 6FT+LT-501				0.00 %	
0019-----	NF00866				1.0000	2003/01/04
	instruction-english			PCS	1	Y
	DJM-2 ALTO				0.00 %	
0020-----	NF00061				1.0000	2003/01/04
	assurance card			PCS	1	Y
	ALTO				0.00 %	
0021-----	ND00036				2.0000	2003/08/13
	nonwoven			PCS	1	Y
	30* 5*0.5 black				0.00 %	
0022-----	ND00037				3.0000	2003/08/13
	nonwoven			PCS	1	Y
	77*21*0.3 black				0.00 %	
0023-----	ND00216				2.0000	2003/01/04
	non-woven			PCS	1	Y
	15*30(2016B)				0.00 %	
0024-----	ME00060				2.0000	2003/01/04
	MIC socket-nut(HC00125 Appendix)			PCS	1	Y
	JY-6351G-02-250				0.00 %	
0025-----	MF00061				2.0000	2003/01/04
	MIC socket-washer(HC00125)			PCS	1	Y
	JY-6351G-02-250				0.00 %	
0026-----	NE05004				4.0000	2003/01/04
	label 30*11mm			PCS	1	Y
	ALTO PF				0.00 %	
0027-----	MG00323				6.0000	2003/01/04
	screw			PCS	1	Y
	M3*6				0.00 %	
0028-----	MJ01081				1.0000	2003/01/04
	fixed board			PCS	1	Y
	DJM-3				0.00 %	
0029-----	NE10809				4.0000	2003/04/07
	label 30*11mm			PCS	1	Y
	DJM-2				0.00 %	
0030-----	MG00036				22.0000	2003/01/04
	screw			PCS	1	Y
	M3*4				0.00 %	

Multi-Level BOM Structure Listing

Report No.: IEBO\_P02  
 Prepared by 000011[YAFEN]  
 Item No. PF00409 Version  
 DESCRIPTIO DJM-2

Date 2003/09/03  
 Page No.: 3/15

UNIT: PCS  
 Date: 2003/01/04

DJM-2\_ALTO\_230V\_歐規\_無

Version	Item No	Loss %	Ver.	Unit	Cardinal Usage Rate	Effective Date @:Phantom Layer
0031-----	MG00157				4.0000	2003/01/04
	Ni screw			PCS	1	Y
	M2.6*4				0.00 %	
0032-----	MG00172				1.0000	2003/01/04
	Ni screw			PCS	1	Y
	M4*10				0.00 %	
0033-----	MF00048				2.0000	2003/01/04
	washer			PCS	1	Y
	4* 8*0.5t				0.00 %	
0034-----	MG00064				3.0000	2003/01/04
	screw			PCS	1	Y
	M3*10				0.00 %	
0035-----	MG00281				2.0000	2003/01/04
	screw			PCS	1	Y
	M3*6				0.00 %	
0036-----	MG00042				2.0000	2003/01/04
	screw			PCS	1	Y
	M3*10				0.00 %	
0037-----	MF00038				1.0000	2003/01/04
	spring washer			PCS	1	Y
	4* 7*1t				0.00 %	
0038-----	ME00016				3.0000	2003/01/04
	colour nut			PCS	1	Y
	4m/m				0.00 %	
0039-----	MF00018				4.0000	2003/01/04
	colour washer			PCS	1	Y
	4* 10*1t				0.00 %	
0040-----	MG00104				2.0000	2003/01/04
	colour screw			PCS	1	Y
	M4*10				0.00 %	
0041-----	MJ01027				1.0000	2003/01/04
	heat-sink			PCS	1	Y
	S-8				0.00 %	
0042-----	NI02249				3.0000	2003/01/04
	caushion			PCS	1	Y
	TW-1(TO-220)				0.00 %	
0043-----	NC00022				1.0000	2003/01/04
	silicone insulation			PCS	1	Y
	0.3t*18*45mm S-8				0.00 %	
0044-----	MG00162				3.0000	2003/01/04
	Ni screw			PCS	1	Y
	M3*8				0.00 %	
0045-----	ME00015				2.0000	2003/01/04
	colour nut			PCS	1	Y
	3m/m				0.00 %	

SEKAKU ELECTRON INDUSTRY CO.,LTD

IEBO\_P02

IEBO\_P02

Multi-Level BOM Structure Listing

Report No.: IEBO\_P02  
 Prepared by 000011[YAFEN]  
 Item No. PF00409 Version

Date 2003/09/03  
 Page No.: 4/15

UNIT: PCS  
 Date: 2003/01/04

DJM-2  
 DJM-2\_ALTO\_230V\_歐規\_無

Version	Item No	Loss %	Ver.	Unit	Cardinal Usage Rate	Effective Date @:Phantom Layer
0046-----	MF00037 spring washer 3* 5*1t			PCS	5.0000 1 0.00 %	2003/07/24 Y
0047-----	MF00004 colour washer 9* 14*0.5t			PCS	10.0000 1 0.00 %	2003/05/31 Y
0048-----	ME00006 R.S nut 9			PCS	10.0000 1 0.00 %	2003/05/31 Y
0049-----	HA01554 header wiring AF:W323 5P-5P 120			PCS	1.0000 1 0.00 %	2003/01/04 Y
0050-----	NI01169 display board 32*23.5*2.5t 187C red			PCS	2.0000 1 0.00 %	2003/01/04 Y
0051-----	MI01617 fixed board 70*36*20mm DJM-3			PCS	1.0000 1 0.00 %	2003/01/04 Y
0052-----	NB02130 colour box DJM-2 ALTO			PCS	1.0000 1 0.00 %	2003/01/04 Y
0053-----	NB02131 outter carton 4 hole DJM-2			PCS	1.0000 4 0.00 %	2003/01/04 Y
0054-----	NB02156 paper sheet DJM-2/DJM-3/DJM-3			PCS	1.0000 1 0.00 %	2003/01/04 Y
0055-----	NB02157 paper sheet DJM-2/DJM-3/DJM-3			PCS	1.0000 1 0.00 %	2003/01/04 Y
0056-----	HJ00006 desiccant 30g			PCS	1.0000 1 0.00 %	2003/01/04 Y
0057-----	NA00125 PE bag 0.04t*580*400mm		KG	PCS	1.0000 1 0.00 %	2003/01/04 Y
0058-----	NI00218 cable tie-black ALT-102SB			PCS	5.0000 1 0.00 %	2003/01/04 Y
0059-----	MI01581 front board DJM-2			PCS	1.0000 1 0.00 %	2003/01/04 Y
0060-----	MB02524 bottom board DJM-2			PCS	1.0000 1 0.00 %	2003/01/04 Y

Multi-Level BOM Structure Listing

Report No.: IEBO\_P02  
 Prepared by 000011[YAFEN]  
 Item No. PF00409  
 Version  
 DESCRIPTIO DJM-2

Date 2003/09/03  
 Page No.: 5/15

UNIT: PCS  
 Date: 2003/01/04

DJM-2\_ALTO\_230V\_歐規\_無

Version	Item No	Loss %	Ver.	Unit	Cardinal Usage Rate	Effective Date @:Phantom Layer
0061-----	HK02386				1.0000	2003/01/04
	K-PCB			PCS	1	Y
	P-DJM-2-PRE-DIP				0.00 %	
0001-----	CB00009				2.0000	2003/01/04
	electrolytic capacitor			PCS	1	Y
	1uF/50V 4*7mm				0.00 %	
	C65 C68					
0002-----	CB00018				2.0000	2003/01/04
	electrolytic capacitor			PCS	1	Y
	4.7uF/25V 4*7mm				0.00 %	
	C66 C67					
0003-----	CB00111				4.0000	2003/07/12
	electrolytic capacitor			PCS	1	Y
	47uF/25V 105 6*7mm				0.00 %	
	C78 C79 C80 C81					
0004-----	CB00062				5.0000	2003/01/04
	electrolytic capacitor			PCS	1	Y
	220uF/6.3V 6*7mm				0.00 %	
	C42 C43 C44 C45 C71					
0005-----	SC00130				1.0000	2003/01/04
	quartz crystalloid LP-3.5S(HC-49US)			PCS	1	Y
	8.00MHZ				0.00 %	
	X1					
0006-----	HA02084				2.0000	2003/01/04
	header wiring AF:W359			PCS	1	Y
	10P(male)-10P(female) 220mm				0.00 %	
	CN2 CN3					
0007-----	HA02078				1.0000	2003/01/04
	header wiring AF:W360			PCS	1	Y
	12P(male)-12P(female) 220mm				0.00 %	
	CN1					
0008-----	HI00163				1.0000	2003/01/04
	push switch			PCS	1	Y
	2stage 12P PS-42E85L(3.3x3.3)				0.00 %	
	SW3					
0009-----	HI00177				2.0000	2003/01/04
	push switch			PCS	1	Y
	2 stage 6P PS-22E8552N(3.3*3.3)NO LOCK				0.00 %	
	SW6 SW7					
0010-----	HI00076				2.0000	2003/01/04
	lever switch			PCS	1	Y
	SL10050-0402-9P-SN				0.00 %	
	SW1 SW2					
0011-----	HI00184				2.0000	2003/01/04
	vertical slide switch			PCS	1	Y
	SS-22H23(2P2T)				0.00 %	

Multi-Level BOM Structure Listing

Report No.: IEBO\_P02 Date: 2003/09/03  
 Prepared by 000011[YAFEN] Page No.: 6/15  
 Item No. PF00409 Version UNIT: PCS  
 DESCRIPTIO DJM-2 Date: 2003/01/04  
 DJM-2\_ALTO\_230V\_歐規\_無

Version	Item No	Loss %	Ver.	Unit	Cardinal	Effective Date
Component Remark	Item Description				Usage Rate	@:Phantom Layer
					Attrition Rate	
	SW4 SW5					
0012-----	RC00266				2.0000	2003/01/04
	slide potentiometer			PCS	1	Y
	FA4544-20-25C1-B100K-0021				0.00 %	
	VR7 VR8					
0013-----	RC00209				1.0000	2003/01/04
	potentiometer			PCS	1	Y
	A10K RV110-40E1-225A-A14				0.00 %	
	VR10					
0014-----	RC00253				1.0000	2003/01/04
	potentiometer			PCS	1	Y
	A10K RV112B-40E1-225A-A10K				0.00 %	
	VR11					
0015-----	RC00254				2.0000	2003/01/04
	potentiometer			PCS	1	Y
	C10K RV112B-40E1-225A-C10K				0.00 %	
	VR1 VR2					
0016-----	RC00251				1.0000	2003/01/04
	potentiometer			PCS	1	Y
	B20K RV112B-40E1-225A-B20K-0C				0.00 %	
	VR12					
0017-----	RC00252				1.0000	2003/01/04
	potentiometer			PCS	1	N
	B50K RV112B-40E1-225A-B50K				0.00 %	
	VR13					
0018-----	CB00112				27.0000	2003/01/04
	electrotytic capacitor			PCS	1	Y
	10uF/35V 105 4*7mm				0.00 %	
	C10 C11 C12 C13 C14 C15 C16 C17 C18 C19 C20 C21 C22 C23 C5 C59 C6					
	C60 C61 C62 C7 C72 C73 C74 C75 C8 C9					
0019-----	RC00250				4.0000	2003/01/04
	potentiometer			PCS	1	Y
	E50K RV112B-40E1-225A-E50K-0C				0.00 %	
	VR3 VR4 VR5 VR6					
0020-----	SA00053				5.0000	2003/01/04
	L.E.D high intensity			PCS	1	Y
	3m/m round(red)long foot 26mm				0.00 %	
	LED 13 LED18 LED26 LED33 LED38					
0021-----	SA00054				10.0000	2003/01/04
	L.E.D high intensity			PCS	1	Y
	3m/m round(yellow)long foot 26				0.00 %	
	LED14 LED15 LED16 LED19 LED20 LED21 LED25 LED27 LED32 LED34					
0022-----	SA00052				23.0000	2003/01/04
	L.E.D high intensity			PCS	1	Y
	3m/m round(green)long foot 26				0.00 %	
	LED1 LED10 LED11 LED12 LED17 LD2 LED22 LED23 LED24 LED28 LED29					

Multi-Level BOM Structure Listing

Report No.: IEBO\_P02 Date: 2003/09/03  
 Prepared by 000011[YAFEN] Page No.: 7/15  
 Item No. PF00409 Version UNIT: PCS  
 DESCRIPTIO DJM-2 Date: 2003/01/04  
 DJM-2\_ALTO\_230V 歐規\_無

Version	Item No	Loss %	Ver.	Unit	Cardinal	Effective Date
Component Remark	Item Description				Usage Rate	@:Phantom Layer
					Attrition Rate	
	LED3 LED30 LED31 LED35 LED36 LED37 LED4 LED5 LED6 LED7 LED8 LED9					
0023-----	NI01768				38.0000	2003/01/04
	LED separating pillar			PCS	1	Y
	LEDS-16 16mm				0.00 %	
0024-----	HK04064				1.0000	2003/07/28
	PC board			PCS	1	
	P-DJM2-PRE-AI				0.00 %	
0001-----	HK02385				1.0000	2003/07/25
	K-PCB			PCS	1	Y
	P-DJM-2-PRE-SMD				0.00 %	
0001-----	HB00841				1.0000	2003/01/04
	pc board			PCS	1	Y
	DJM2-PRE_VER021218				0.00 %	
0002-----	RD00065				4.0000	2003/01/04
	SMDfixed resistor 1/10W			PCS	1	Y
	47 ±5% 0603				0.00 %	
	R156R157 R158 R159					
0003-----	RD00073				14.0000	2003/01/04
	SMDfixed resistor 1/10W			PCS	1	Y
	220 ±5% 0603				0.00 %	
	R107 R108 R87 R88 R89 R90 R91 R92 R93 R94 R95 R96 R97 R98					
0004-----	RD00077				4.0000	2003/01/04
	SMDfixed resistor 1/10W			PCS	1	Y
	390 ±5% 0603				0.00 %	
	R3 R6 R7 R8					
0005-----	RD00083				10.0000	2003/01/04
	SMDfixed resistor 1/10W			PCS	1	Y
	1.0K ±5% 0603				0.00 %	
	R117 R118 R119 R120 R121 R122 R123 R124 R125 R126					
0006-----	RD00085				16.0000	2003/01/04
	SMDfixed resistor 1/10W			PCS	1	Y
	1.5K ±5% 0603				0.00 %	
	R11 R12 R13 R14 R15 R16 R17 R18 R43 R44 R51 R52R71 R72 R73 R74					
0007-----	RD00088				2.0000	2003/01/04
	SMDfixed resistor 1/10W			PCS	1	Y
	2.2K ±5% 0603				0.00 %	
	R164 R165					
0008-----	RD00093				25.0000	2003/01/04
	SMDfixed resistor 1/10W			PCS	1	Y
	4.7K ±5% 0603				0.00 %	
	R100 R101 R102 R103 R104 R105 R106 R132 R133 R45 R46 R47 R48 R49					
	R50 R53 R54 R55 R56 R57 R58 R59 R60 R81 R99					
0009-----	RD00103				2.0000	2003/01/04
	SMDfixed resistor 1/10W			PCS	1	N
	15K ±5% 0603				0.00 %	
	R160 R161					



Multi-Level BOM Structure Listing

Report No.: IEBO\_P02 Date: 2003/09/03  
 Prepared by 000011[YAFEN] Page No.: 8/15  
 Item No. PF00409 Version UNIT: PCS  
 DESCRIPTIO DJM-2 Date: 2003/01/04  
 DJM-2\_ALTO\_230V\_歐規\_無

Version	Item No	Loss %	Ver.	Unit	Cardinal	Effective Date
Component Remark	Item Description				Usage Rate	@:Phantom Layer
					Attrition Rate	
0010-----	RD00099				4.0000	2003/01/04
	SMDfixed resistor 1/10W			PCS	1	Y
	8.2K ±5% 0603				0.00 %	
	R109 R110 R111 R112					
0011-----	RD00101				5.0000	2003/01/04
	SMDfixed resistor 1/10W			PCS	1	Y
	10K ±5% 0603				0.00 %	
	R82 R83 R84 R85 R86					
0012-----	RD00102				2.0000	2003/01/04
	SMDfixed resistor 1/10W			PCS	1	Y
	12K ±5% 0603				0.00 %	
	R154 R155					
0013-----	RD00104				2.0000	2003/01/04
	SMDfixed resistor 1/10W			PCS	1	Y
	18K ±5% 0603				0.00 %	
	R75 R76					
0014-----	RD00105				2.0000	2003/01/04
	SMDfixed resistor 1/10W			PCS	1	Y
	22K ±5% 0603				0.00 %	
	R136 R137					
0015-----	RD00106				2.0000	2003/01/04
	SMDfixed resistor 1/10W			PCS	1	Y
	27K ±5% 0603				0.00 %	
	R134 R135					
0016-----	RD00108				10.0000	2003/01/04
	SMDfixed resistor 1/10W			PCS	1	Y
	33K ±5% 0603				0.00 %	
	R61 R62 R63 R64 R65 R66 R67 R68 R69 R70					
0017-----	RD00111				14.0000	2003/01/04
	SMDfixed resistor 1/10W			PCS	1	Y
	47K ±5% 0603				0.00 %	
	R138 R139 R140 R141 R142 R143 R144 R145 R146 R147 R148 R149 R150 R151					
0018-----	RD00112				2.0000	2003/01/04
	SMDfixed resistor 1/10W			PCS	1	Y
	56K ±5% 0603				0.00 %	
	R113 R116					
0019-----	RD00113				4.0000	2003/01/04
	SMDfixed resistor 1/10W			PCS	1	Y
	62K ±5% 0603				0.00 %	
	R114 R115 R127 R128					
0020-----	RD00116				24.0000	2003/01/04
	SMDfixed resistor 1/10W			PCS	1	Y
	100K ±5% 0603				0.00 %	
	R19 R20 R21 R22 R23 R24 R25 R26 R27 R28 R29 R30 R31 R32 R33 R34 R35					
	R32 R33 R34 R36 R37 R38 R39 R40 R41 R42					
0021-----	RD00117				2.0000	2003/01/04

Multi-Level BOM Structure Listing

Report No.: IEBO\_P02 Date: 2003/09/03  
 Prepared by 000011[YAFEN] Page No.: 9/15  
 Item No. PF00409 Version UNIT: PCS  
 DESCRIPTIO DJM-2 Date: 2003/01/04  
 DJM-2\_ALTO\_230V\_歐規\_無

Version	Item No	Loss %	Ver.	Unit	Cardinal	Effective Date
Component Remark	Item Description				Usage Rate	@:Phantom Layer
					Attrition Rate	
	SMDfixed resistor 1/10W 120K ±5% 0603 R79 R80			PCS	1 0.00 %	Y
0022-----	RD00118				2.0000	2003/01/04
	SMDfixed resistor 1/10W 150K ±5% 0603 R77 R78			PCS	1 0.00 %	Y
0023-----	RD00424				2.0000	2003/01/04
	SMDfixed resistor 1/10W 180K ±5% 0603 R152 R153			PCS	1 0.00 %	Y
0024-----	RD00119				1.0000	2003/01/04
	SMDfixed resistor 1/10W 220K ±5% 0603 R131			PCS	1 0.00 %	Y
0025-----	RD00204				6.0000	2003/01/04
	SMDprecise resistor 1/10W 2.49K ±1% 0603 R1 R10 R2 R4 R5 R9			PCS	1 0.00 %	Y
0026-----	RD00371				2.0000	2003/01/04
	SMD precise resistor 1/10W 51.1K ±1% 0603 R129 R130			PCS	1 0.00 %	Y
0027-----	CI00109				13.0000	2003/01/04
	SMD ceramic capacitor 0603 20PF/50v NPO ±5% C46 C47 C48 C49 C50 C51 C52 C53 C54 C55 C56 C57 C58			PCS	1 0.00 %	Y
0028-----	CI00056				6.0000	2003/01/04
	SMDceramic capacitor0603 56PF/50V NPO ±5% C36 C37 C38 C39 C40 C41			PCS	1 0.00 %	Y
0029-----	CI00059				2.0000	2003/01/04
	SMDceramic capacitor0603 100PF/50V NPO ±5% C69 C70			PCS	1 0.00 %	Y
0030-----	CI00060				2.0000	2003/01/04
	SMDceramic capacitor0603 150PF/50V NPO ±5% C76 C77			PCS	1 0.00 %	Y
0031-----	CI00061				4.0000	2003/01/04
	SMDceramic capacitor0603 220PF/50V NPO ±5% C1 C2 C3 C4			PCS	1 0.00 %	Y
0032-----	CI00091				4.0000	2003/01/04
	SMD ceramic capacitor0603 0.0056uF/50V X7R ±10%			PCS	1 0.00 %	Y

Multi-Level BOM Structure Listing

Report No.: IEBO\_P02 Date: 2003/09/03  
 Prepared by 000011[YAFEN] Page No.: 10/15  
 Item No. PF00409 Version UNIT: PCS  
 DESCRIPTIO DJM-2 Date: 2003/01/04  
 DJM-2\_ALTO\_230V\_歐規\_無

Version	Item No	Loss %	Ver.	Unit	Cardinal	Effective Date
Component Remark	Item Description				Usage Rate	@:Phantom Layer
					Attrition Rate	
	C32 C33 C34 C35					
0033-----	CI00075				18.0000	2003/01/04
	SMD ceramic capacitor0603			PCS	1	Y
	0.1uF/50V Y5V +80,-20%				0.00 %	
	C63 C64 C84 C85 C86 C87 C88 C89 C90 C91 C92 C93 C94 C95 C96 C97 C98 C99					
0034-----	CI00094				8.0000	2003/01/04
	SMD ceramic capacitor0603			PCS	1	Y
	0.15uF/50V Y5V +80,-20%				0.00 %	
	C24 C25 C26 C27 C28 29 C30 C31					
0035-----	SE00016				4.0000	2003/01/04
	SMD zener diode			PCS	1	Y
	1/2W 5.1V(RLZ5.1B) LL-34				0.00 %	
	D14 15 D16 D17					
0036-----	SE00011				13.0000	2003/01/04
	SMD rectifier diode			PCS	1	Y
	RLS4148 0.5A (LL-34)				0.00 %	
	D1 D10 D11 D12 D13 D2 D3 D4 D5 D6 D7 D8 D9					
0037-----	SF00004				12.0000	2003/01/04
	SMD transistor			PCS	1	Y
	2SA1036K(R)(MMBT3906LT1)				0.00 %	
	TR1 TR10 TR11 TR12 TR2 TR3 TR4 TR5 TR6 TR7 TR8 TR9					
0038-----	SG00122				2.0000	2003/01/04
	SMD integrated circuit			PCS	1	Y
	NJM4580M-TE3				0.00 %	
	IC7 IC8					
0039-----	SG00001				6.0000	2003/01/04
	SMD integrated circuit			PCS	1	Y
	TL074CDT				0.00 %	
	IC1 IC2 IC3 IC4 IC5 IC6					
0040-----	SG00129				1.0000	2003/01/04
	integrated circuit			PCS	1	Y
	SN8P1707Q				0.00 %	
	IC9					
0002-----	HA01920				61.0000	2003/07/25
	jumper wire			PCS	1	Y
	6mm				0.00 %	
	J10 J102 J107 J11 J111 J15 J16 J20 J21 J22 J23 J24 J25 J32 J33 J34 J35 J36 J37 J38 J45 J46 J49 J50 J51 J52 J53 J54 J55 J56 J57 J58 J59 J6 J60 J61 J62 J63 J64 J65 J66 J7 J70 J71 J72 J73 J74 J8 J78 J79 J80 J81 J82 J83 J84 J85 J86 J87 J88 J9 J98					
0003-----	HA01922				17.0000	2003/07/25
	jumper wire			PCS	1	Y
	8mm				0.00 %	
	J1 J100 J101 J108 J109 J110 J2 J3 J43 J44 J47 J48 J67 J68 J69 J91 J99					
0004-----	HA01925				17.0000	2003/07/25

Multi-Level BOM Structure Listing

Report No.: IEBO\_P02 Date: 2003/09/03  
 Prepared by: 000011[YAFEN] Page No.: 11/15  
 Item No.: PF00409 Version: UNIT: PCS  
 DESCRIPTIO: DJM-2 Date: 2003/01/04  
 DJM-2\_ALTO\_230V\_歐規\_無

Version	Item No	Loss %	Ver.	Unit	Cardinal	Effective Date
Component Remark	Item Description				Usage Rate	@:Phantom Layer
					Attrition Rate	
	jumper wire			PCS	1	Y
	10mm				0.00 %	
	J12 J13 J14 J17 J18 J26 J27 2J28 J29 J30 J31 J92 J93 J94 J95 J96 J97					
0005-----	HA01928				10.0000	2003/07/25
	jumper wire			PCS	1	Y
	12mm				0.00 %	
	J103 J104 J105 J106 J39 J4 J40 J41 J42 J5					
0006-----	HA01930				5.0000	2003/07/25
	jumper wire			PCS	1	Y
	15mm				0.00 %	
	J19 J75 J76 J77 J90					
0062-----	HK02387				2.0000	2003/05/24
	K-PCB			PCS	1	Y
	P-DJM3-LED				0.00 %	
0001-----	HB00763				1.0000	2003/01/04
	pc board			PCS	1	Y
	DJM3-LED(1*25)_VER020823				0.00 %	
0002-----	HH00015				1.0000	2003/01/04
	Triple Digit LED Display(0.36 Inch)			PCS	1	Y
	LTD3164-10				0.00 %	
	LD1					
0003-----	HC00438				2.0000	2003/01/04
	row pin #1100			PCS	1	Y
	2.54 180° 6P 15mm 3/9/3mm				0.00 %	
	CN1 CN2					
0063-----	HK02388				1.0000	2003/01/04
	K-PCB			PCS	1	Y
	P-DJM-2-VR				0.00 %	
0001-----	HB00842				1.0000	2003/01/04
	pc board			PCS	1	Y
	DJM2-VR(1*10)_VER021204				0.00 %	
0002-----	RC00261				1.0000	2003/01/04
	slide potentiometer			PCS	1	Y
	B100K RA45D2-211-15C1-B100K-003				0.00 %	
	VR1					
0003-----	HC00250				1.0000	2003/01/04
	row-wire header			PCS	1	Y
	5P 2.0mm 90°				0.00 %	
	CN1					
0064-----	HK02389				1.0000	2003/01/04
	K-PCB			PCS	1	Y
	P-DJM-2-FP				0.00 %	
0001-----	HB00843				1.0000	2003/01/04
	pc board			PCS	1	Y
	DJM2-FP(1*10)_VER021204				0.00 %	
0002-----	HC00397				1.0000	2003/01/04

Multi-Level BOM Structure Listing

Report No.: IEBO\_P02 Date: 2003/09/03  
 Prepared by 000011[YAFEN] Page No.: 12/15  
 Item No. PF00409 Version UNIT: PCS  
 DESCRIPTIO DJM-2 Date: 2003/01/04  
 DJM-2\_ALTO\_230V\_歐規\_無

Version	Item No	Loss %	Ver.	Unit	Cardinal	Effective Date
Component Remark	Item Description				Usage Rate	@:Phantom Layer
					Attrition Rate	
	row-wire header			PCS	1	Y
0003-----	10P 2.0mm 180°				0.00 %	
	HA01564				1.0000	2003/01/04
	header wiring AF:W333			PCS	1	Y
0004-----	5P(male)-5P(parent) 180				0.00 %	
	CN1					
	HC00371				2.0000	2003/01/04
	MIC socket			PCS	1	Y
0065-----	SCJ-0658-1-Y				0.00 %	
	X2 X3					
	HK02391				1.0000	2003/01/04
0001-----	K-PCB			PCS	1	Y
	P-DJM-2-PU-DIP				0.00 %	
	HK02390				1.0000	2003/01/06
0001-----	K-PCB			PCS	1	Y
	P-DJM-2-PU-SMD				0.00 %	
	HB00844				1.0000	2003/01/04
0002-----	pc board			PCS	1	Y
	DJM2-PU(1*4)_VER021203				0.00 %	
	RD00068				2.0000	2003/01/04
0003-----	SMDfixed resistor 1/10W			PCS	1	Y
	100 ±5% 0603				0.00 %	
	R36 R37					
	RD00069				4.0000	2003/01/04
0004-----	SMDfixed resistor 1/10W			PCS	1	Y
	120 ±5% 0603				0.00 %	
	R39 R40 R41 R42					
	RD00083				2.0000	2003/01/04
0005-----	SMDfixed resistor 1/10W			PCS	1	Y
	1.0K ±5% 0603				0.00 %	
	R35 R38					
	RD00088				8.0000	2003/01/04
0006-----	SMDfixed resistor 1/10W			PCS	1	Y
	2.2K ±5% 0603				0.00 %	
	R13 R14 R15 R16 R17 R18 R19 R20					
	RD00101				4.0000	2003/01/04
0007-----	SMDfixed resistor 1/10W			PCS	1	Y
	10K ±5% 0603				0.00 %	
	R27 R28 R29 R30					
	RD00111				12.0000	2003/01/04
0008-----	SMDfixed resistor 1/10W			PCS	1	Y
	47K ±5% 0603				0.00 %	
	R1 R10 R11 R12 R2 R3 R4 R5 R6 R7 R8 R9					
	RD00116				4.0000	2003/01/04
	SMDfixed resistor 1/10W			PCS	1	Y
	100K ±5% 0603				0.00 %	

Multi-Level BOM Structure Listing

Report No.: IEBO\_P02 Date: 2003/09/03  
 Prepared by: 000011[YAFEN] Page No.: 13/15  
 Item No.: PF00409 Version: UNIT: PCS  
 DESCRIPTIO: DJM-2 Date: 2003/01/04  
 DJM-2\_ALTO\_230V\_歐規\_無

Version	Item No	Loss %	Ver.	Unit	Cardinal	Effective Date
Component Remark	Item Description				Usage Rate	@:Phantom Layer
					Attrition Rate	
	R31 R32 R33 R34					
0009-----	CI00059				8.0000	2003/01/04
	SMDceramic capacitor0603			PCS	1	Y
	100PF/50V NPO ±5%				0.00 %	
	C28 C29 C30 C31 C5 C6 C7 C8					
0010-----	CI00063				4.0000	2003/01/04
	SMDceramic capacitor0603			PCS	1	Y
	470PF/50V NPO ±5 %				0.00 %	
	C38 C39 C40 C41					
0011-----	CI00092				4.0000	2003/01/04
	SMD ceramic capacitor0603			PCS	1	Y
	0.0068uF/50V X7R ±10%				0.00 %	
	C1 C2 C3 C4					
0012-----	CI00123				4.0000	2003/04/16
	SMD ceramic capacitor0603			PCS	1	Y
	0.027uF/-50V X7R ±10%				0.00 %	
	C46 C47 C48 C49					
0013-----	CI00075				4.0000	2003/01/04
	SMDceramic capacitor0603			PCS	1	Y
	0.1uF/50V Y5V +80,-20%				0.00 %	
	C11 C12 C50 C51					
0014-----	SG00122				2.0000	2003/01/04
	SMD integrated circuit			PCS	1	Y
	NJM4580M-TE3				0.00 %	
	IC4 IC5					
0002-----	HC00403				3.0000	2003/01/06
	RCA jack			PCS	1	Y
	SCP6873NS3232T2 4P				0.00 %	
	X1 X2 C3					
0003-----	CB00112				12.0000	2003/01/06
	electrotytic capacitor			PCS	1	Y
	10uF/35V				0.00 %	
	C13 C14 C17 C18 C19 C20 C22 C23 C24 C25 C26 C27					
0004-----	CB00039				3.0000	2003/01/06
	electrotytic capacitor			PCS	1	Y
	47uF/25V				0.00 %	
	C32 C33 C35					
0005-----	HC00079				1.0000	2003/01/06
	row-wire header			PCS	1	Y
	5P 2.5mm 180°				0.00 %	
	CN3					
0006-----	HC00261				1.0000	2003/01/06
	row-wire header			PCS	1	Y
	12P 2.0mm 180°				0.00 %	
	CN2					
0007-----	HC00397				1.0000	2003/01/06

Multi-Level BOM Structure Listing

Report No.: IEBO\_P02 Date: 2003/09/03  
 Prepared by 000011[YAFEN] Page No.: 14/15  
 Item No. PF00409 Version UNIT: PCS  
 DESCRIPTIO DJM-2 Date: 2003/01/04  
 DJM-2\_ALTO\_230V\_歐規\_無

Version	Item No	Loss %	Ver.	Unit	Cardinal Usage Rate	Effective Date @:Phantom Layer
Component Remark	Item Description				Attrition Rate	
	row-wire header 10P 2.0mm 180° CN1			PCS	1 0.00 %	Y
0066-----	HK03283				1.0000	2003/01/04
	K-PCB			PCS	1	Y
	P-DJM3-PWR				0.00 %	
0001-----	HB00759				1.0000	2002/10/30
	pc board			PCS	1	Y
	DJM3-PWR(1*8)_VER020821				0.00 %	
0002-----	SA00094				6.0000	2002/10/30
	rectifier diode			PCS	1	Y
	1N4002/100V				0.00 %	
	D1 D2 D3 D4 D5 D6					
0003-----	HA01925				3.0000	2002/10/30
	jumper wire			PCS	1	Y
	10mm				0.00 %	
	J1 J2 J3					
0004-----	CB00065				1.0000	2002/10/30
	electrolytic capacitor			PCS	1	Y
	470uF/25V				0.00 %	
	C32					
0005-----	CA00052				3.0000	2002/10/30
	ceramic capacitor			PCS	1	Y
	0.1uF SL				0.00 %	
	C33 C34 C35					
0006-----	CB00047				3.0000	2002/10/30
	electrotytic capacitor			PCS	1	Y
	100uF/25V				0.00 %	
	C15 C16 C21					
0007-----	CB00073				4.0000	2002/10/30
	electrolytic capacitor			PCS	1	Y
	1000uF/35V 13*20mm				0.00 %	
	C28 C29 C30 C31					
0008-----	SD00077				1.0000	2002/10/30
	integrated circuit			PCS	1	Y
	7815(TO-220)				0.00 %	
	Q3					
0009-----	SD00079				1.0000	2002/10/30
	integrated circuit			PCS	1	Y
	7915(TO-220)				0.00 %	
	Q1					
0010-----	SD00074				1.0000	2002/10/30
	integrated circuit			PCS	1	Y
	7805(TO-220)				0.00 %	
	Q2					
0011-----	HC00172				1.0000	2002/10/30

Multi-Level BOM Structure Listing

Report No.: IEBO\_P02  
 Prepared by 000011[YAFEN]  
 Item No. PF00409  
 DESCRIPTION DJM-2

Version

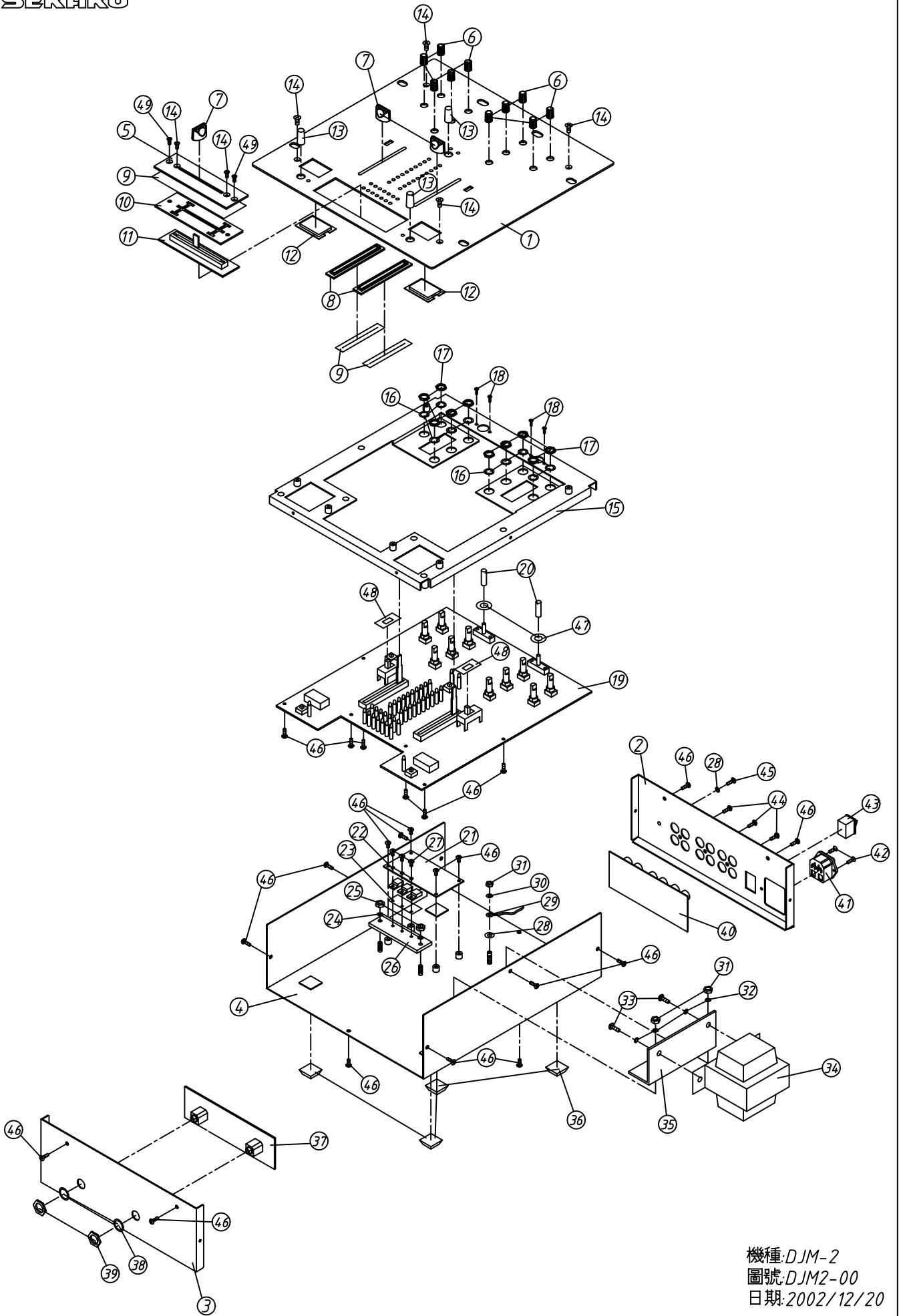
UNIT: PCS  
 Date: 2003/01/04

Date 2003/09/03  
 Page No.: 15/15

DJM-2\_ALTO\_230V\_歐規\_無

Version	Item No	Loss %	Ver.	Unit	Cardinal Usage Rate	Effective Date @:Phantom Layer
Component Remark	Item Description				Attrition Rate	
	row-wire header 3P 3.96mm 180° CN1			PCS	1 0.00 %	Y
0012-----	HC00079				1.0000	2002/10/30
	row-wire header 5P 2.5mm 180° CN2			PCS	1 0.00 %	Y
0067-----	NI01272				1.0000	2003/04/20
	handle for wireless colorful box			PCS	1 0.00 %	





Mechanical Parts List				
Model No.		ALTO DJM-2		
NO	Item No	Item Description		pcs
1	MA03724	panel	DJM-2 ALTO	1
2	MI01575	side board	DJM-2	1
3	MI01579	side board	DJM-2 ALTO	1
4	MB02524	bottom board	DJM-2	1
5	MJ01078	bracket	DJM-3	1
6	NI00826	knob	12*18 double color	10
7	NI02596	knob	17*10*11(C-B2) black	3
8	NI01164	slide trough	3.7*12*70 DJ-MIX	2
9	ND00037	nonwoven	77*21*0.3	3
10	NI01587	cushion	73*29*2.2 black	1
11	HK02388	K-PC板	P-DJM-2-VR	1
12	NI01169	display board	32*23.5*2.5t 187C	2
13	NI01183	key	7.5*13	3
14	MG00323	screw	M3*6	6
15	MI01581	front board	DJM-2	1
16	MF00004	washer	9* 14*0.5t	10
17	ME00006	R.S nut	9	10
18	MG00157	screw	M2.6*4	4
19	HK02386	K-PC板	P-DJM-2-PRE-DIP	1
20	MH01448	horizontal switch handle	5*20mm black LF20BK	2
21	HK03283	K-PC板	P-DJM3-PWR	1
22	NI02249	caushion	TW-1(TO-220)	3
23	NC00022	insulation	0.3t*18*45mm S-8	1
24	MF00037	washer	3* 5*1t	2
25	ME00015	colour nut	3m/m	2
26	MJ01027	heat-sink	S-8	1
27	MG00162	screw	M3*8	3
28	MF00048	washer	4* 8*0.5t	2
29	HA01174	signle terminal wiring CF:W146	80 green/yellow	1
30	MF00038	washer	4* 7*1t	1
31	ME00016	colour nut	4m/m	3
32	MF00018	washer	4* 10*1t	4
33	MG00104	screw	M4*10	2
34	TC00133	transformer	PT-DJM3_230V	1
35	MI01617	bracket	70*36*20mm DJM-3	1
36	NI00498	foot cushion	12.7*7*6mm(SF-005)	4
37	HK02389	K-PC板	P-DJM-2-FP	1
38	MF00061	washer	JY-6351G-02-250	2
39	ME00060	socket nut	JY-6351G-02-250	2
40	HK02391	K-PC板	P-DJM-2-PU-DIP	1
41	HC00008	AC outlet	3515 A TYPE(RF-2004-C-4.8)	1
42	MG00042	screw	M3*10	2
43	HI00019	power switch	4P MSR-8	1
44	MG00064	screw	M3*10	3
45	MG00172	screw	M4*10	1
46	MG00036	screw	M3*4	22
47	ND00036	nonwoven	30* 5*0.5	2
48	ND00216	non-woven	15*30(2016B)	2
49	MG00281	screw	M3*6	2