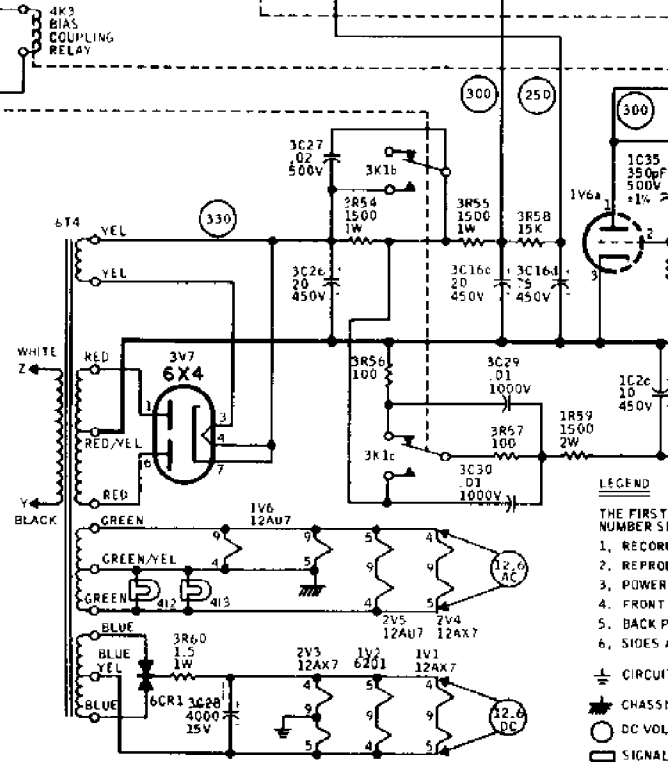
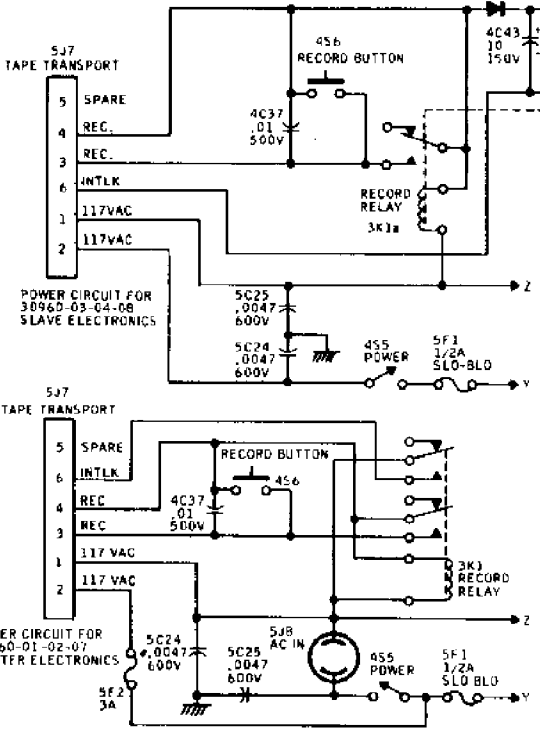


- NOTES:**
1. RESISTOR VALUES ARE IN OHMS $\pm 10\%$ 1/2 WATT UNLESS OTHERWISE SPECIFIED.
 2. ALL CAPACITORS ARE IN MICROFARADS AND RATED AT 400V. UNLESS OTHERWISE SPECIFIED.
 3. SWITCHES ARE SHOWN AS THEY FUNCTION NOT AS THEY ARE CONSTRUCTED AND WIRED.
 4. FOR UNBALANCED OUTPUT WITH ONE SIDE GROUND, CONNECT A TO B AT 5J2 OR PIN 1 TO PIN 2 AT 5J5. FOR BALANCED OUTPUT WITH CENTER TAP GROUND CONNECT C TO H AT 6T5.1.
 5. JUMPERED AS SHOWN, VU METER IS CALIBRATED FOR + 8 VU OUTPUT. FOR + 4 VU OUTPUT JUMP E TO F INSTEAD OF E TO D OR H TO S (SEE INSTALLATION). READJUST RECORD CALIBRATION CONTROL AS DESCRIBED IN SECTION V OF MAINTENANCE MANUAL.
 6. DC VOLTAGES MEASURED WITH 20,000 OHM PER VOLT METER WITH EQUIPMENT IN RECORD MODE AT 117V LINE.
 7. SIGNAL VOLTAGES MEASURED WITH AC VTVM AND EXPRESSED IN μ V REFERRED TO .78 VOLTS.
- CIRCUIT CONDITIONS**
- EQUALIZATION SWITCH 45.2 IN \uparrow POSITION 500 CYCLE INPUT.
- LEVEL CONTROLS 4R9 AND 4R36 FULL COUNTERCLOCKWISE. LINE OUTPUT 5J5 TERMINATED IN NOMINAL 600 OHMS. OSCILLATOR TUBE 1V6 REMOVED.
- 1,000 OHM RESISTOR SUBSTITUTED FOR RECORD HEAD.
- INPUT TRANSFER SWITCH 45.1 IN MICROPHONE POSITION.
- RECORD RELAY 3K1 ENERGIZED.
- NOTE:** UNBALANCE OF 24B MAY BE EXPECTED AT PIN 2 AND PIN 7 OF 2V3. C39 MAY BE ELIMINATED IF NECESSARY.



- LEGEND**
- THE FIRST NUMBER IS
1. RECORD
 2. REPRO
 3. POWER
 4. FRONT
 5. BACK P
 6. SIDES
- $\frac{1}{2}$ CIRCUI
- \star CHASSI
- \circ DC VOL
- \square SIGNAL

ELECTRONIC ASSEMBLY SCHEMATIC DIAGRAM

