

Fig. 7-3 Schematic Diagram, Record/Reproduce Electronics, Sheet 1 of 3

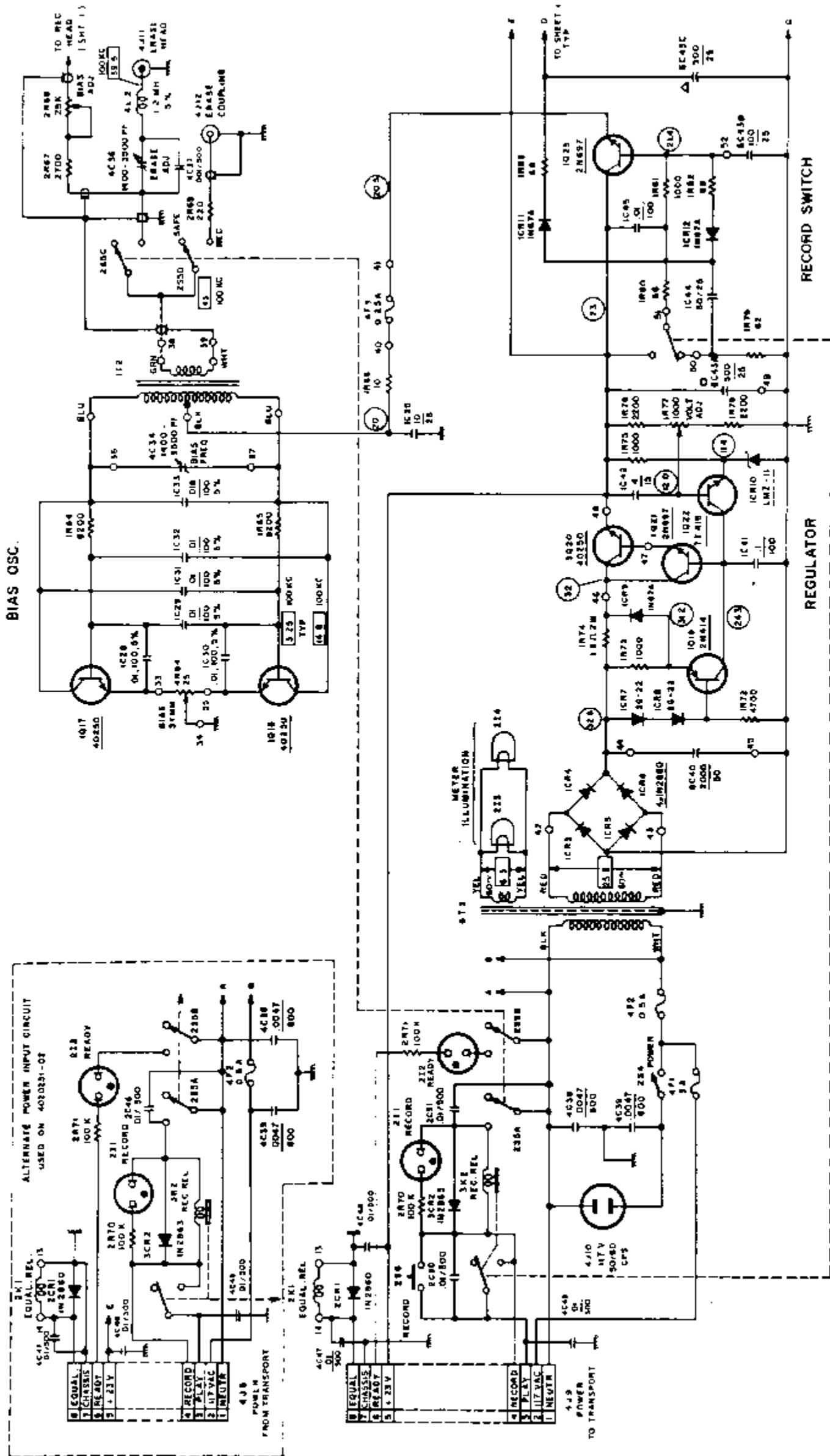


Fig. 7-4 Schematic Diagram, Record/Reproduce Electronics, Sheet 2 of 3