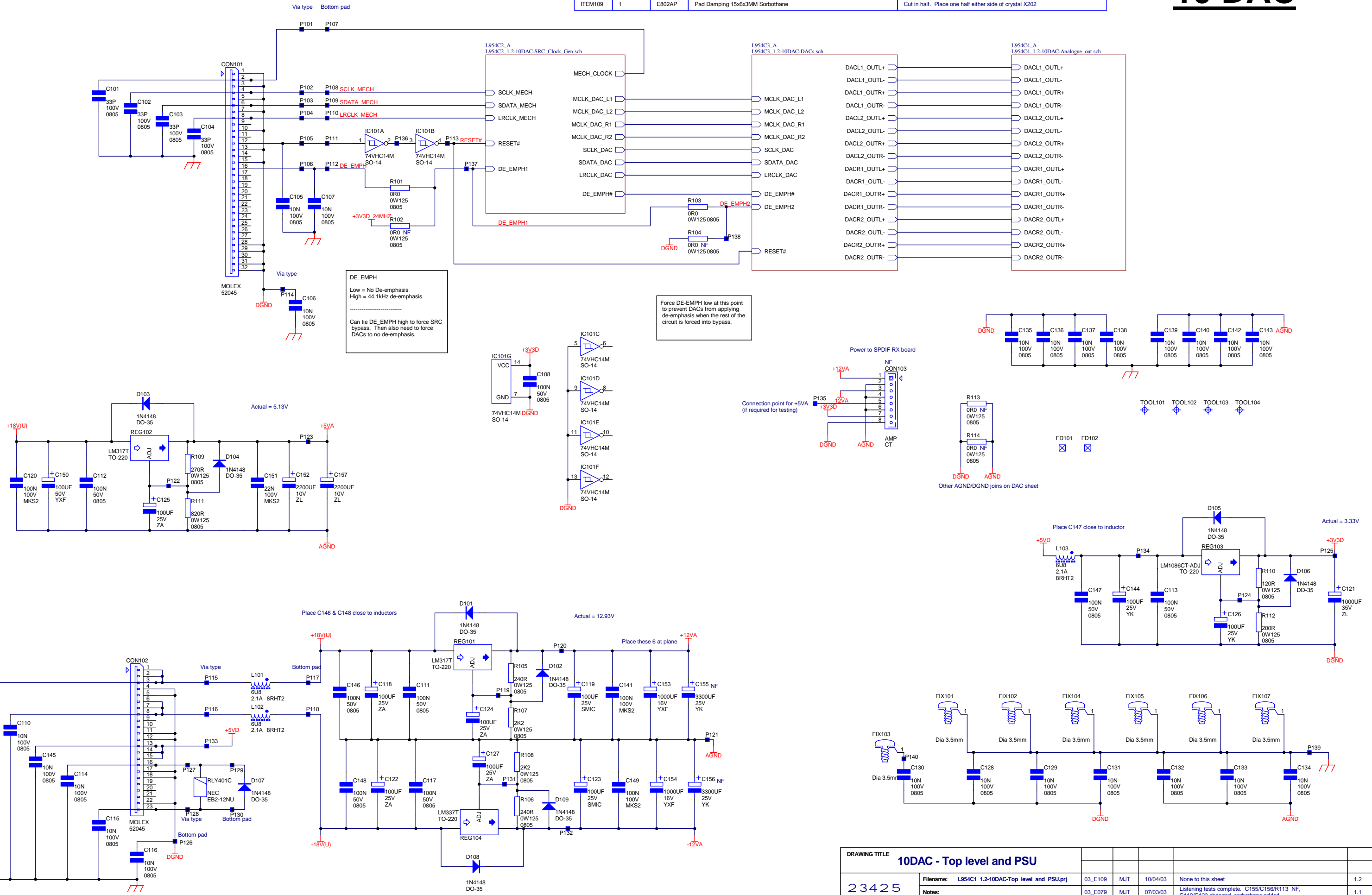


ITEM101	1	L954PB	BLANK PCB 10DAC	
ITEM102	4	HA3V10A	M Screw Torx M3x10MM ST ZP	
ITEM103	4	HJ3A00A	Nut M3 Full Stzp (1000)	
ITEM104	4	HL3AB	Washer M3 Plain ST BLK	To be mounted on bottom side under screw head

ITEM105	1	E802AP	Pad Damping 15x6x3MM Sorbothane	Fit on top of relay RLY401
ITEM106	1	E802AP	Pad Damping 15x6x3MM Sorbothane	Cut in half. Place one half on top of C119 and the other on top of C123
ITEM107	1	E802AP	Pad Damping 15x6x3MM Sorbothane	Cut in half. Place one half on top of C152 and the other on top of C157
ITEM108	1	E802AP	Pad Damping 15x6x3MM Sorbothane	Cut in half. Place one half either side of crystal X201
ITEM109	1	E802AP	Pad Damping 15x6x3MM Sorbothane	Cut in half. Place one half either side of crystal X202

# 10 DAC



**DE\_EMPH**  
 Low = No De-emphasis  
 High = 44.1kHz de-emphasis  
 -----  
 Can tie DE\_EMPH high to force SRC bypass. Then also need to force DACs to no de-emphasis.

Force DE-EMPH low at this point to prevent DACs from applying de-emphasis when the rest of the circuit is forced into bypass.

Power to SPDIF RX board

Connection point for +5V(A) (if required for testing)

Other AGND/DGND joins on DAC sheet

Place C147 close to inductor

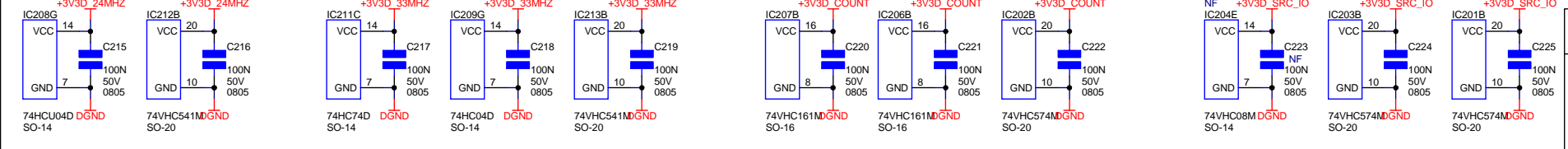
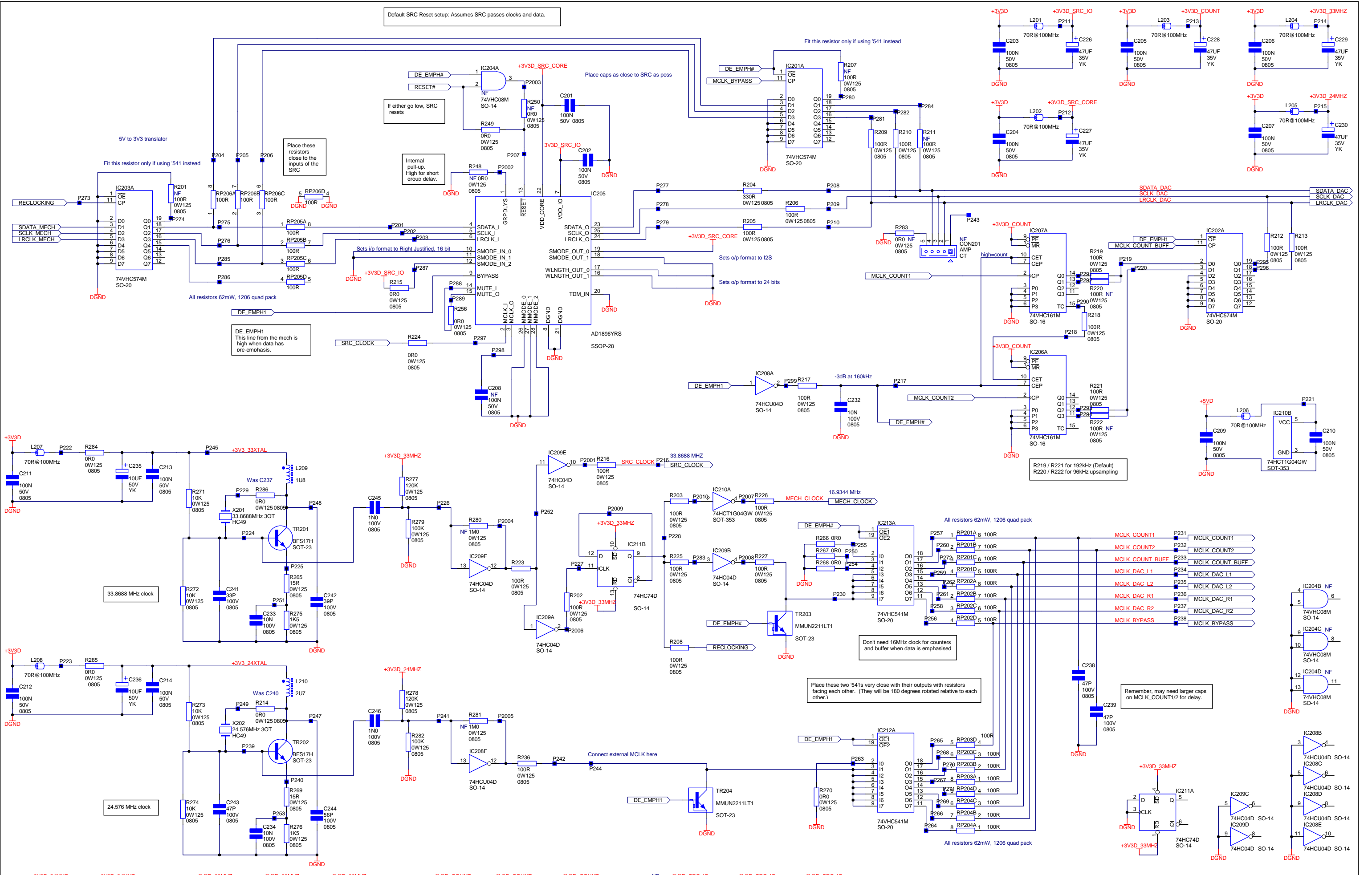
Place C146 & C148 close to inductors

Actual = 12.93V

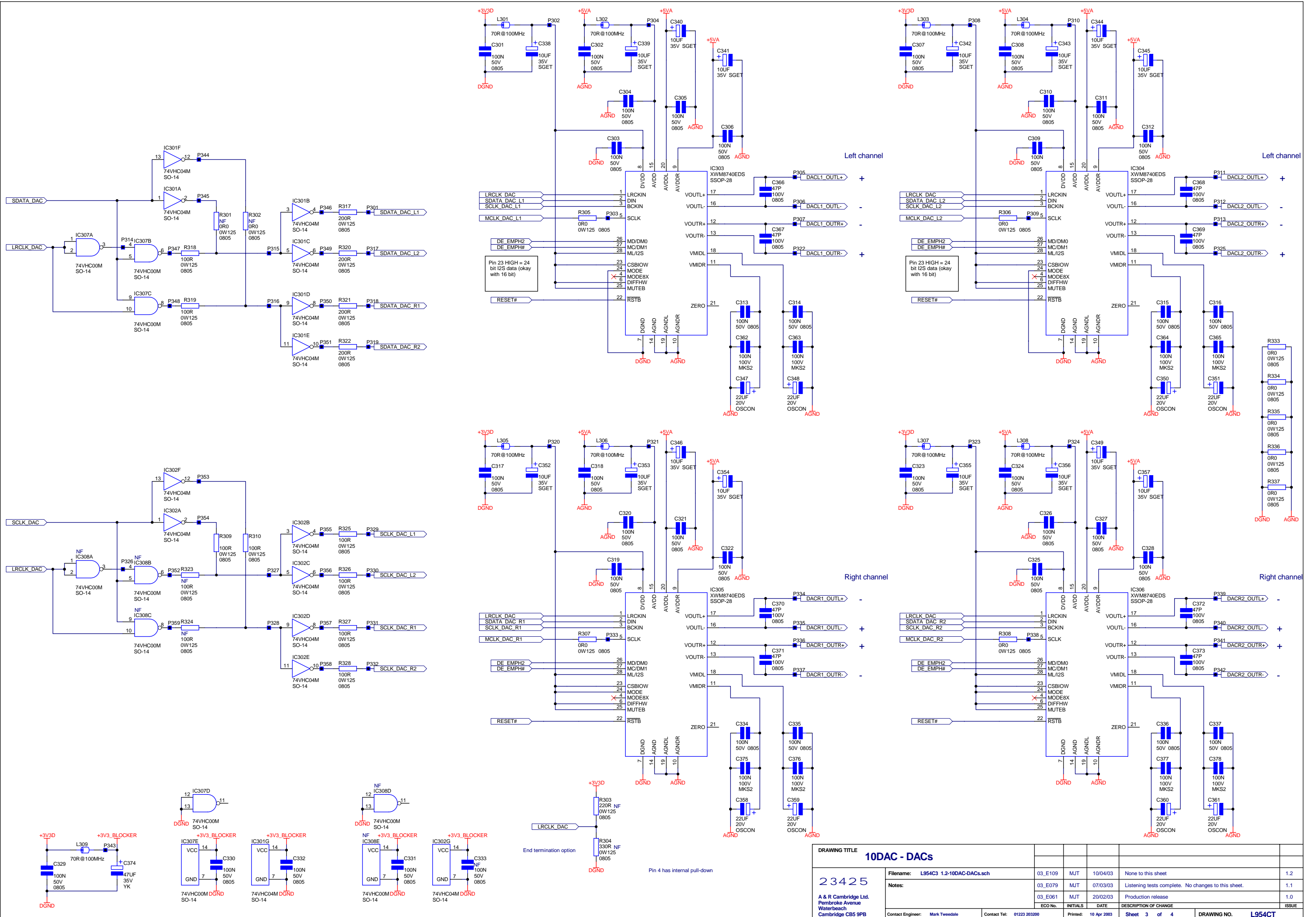
Place these 6 at plane

This symbol represents Chassis ground

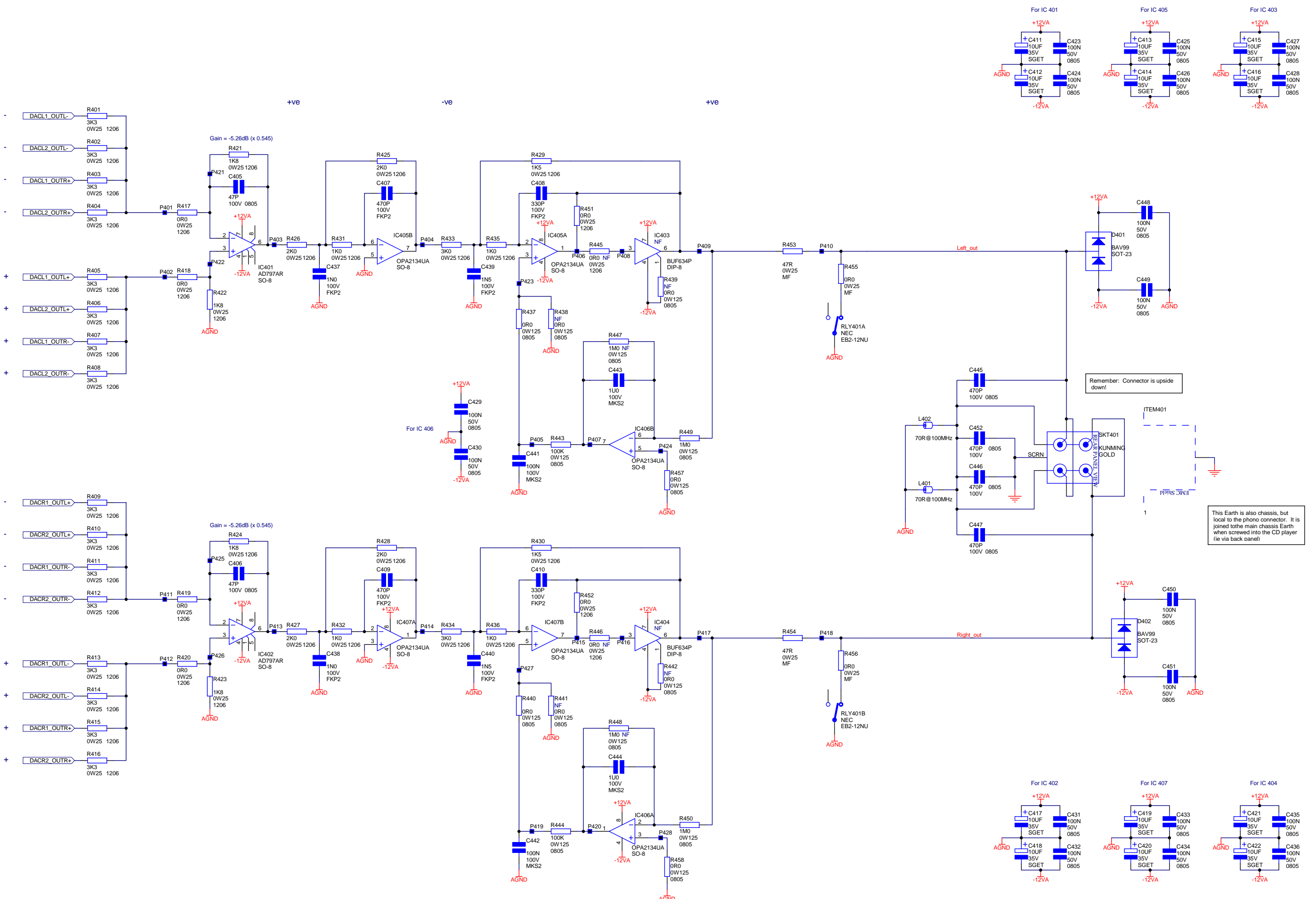
DRAWING TITLE					
10DAC - Top level and PSU					
23425					
A & R Cambridge Ltd. Pembroke Avenue Waterbeach Cambridge CB5 9PB					
Filename:	L954C1 1.2-10DAC-Top level and PSU.prj	03_E109	MJT	10/04/03	None to this sheet
Notes:		03_E079	MJT	07/03/03	Listening tests complete. C155/C156/R113 NF, C119/C123 changed, sorbothane added.
ECO No.		03_E061	MJT	20/02/03	Production release
ECO No.	INITIALS	DATE	DESCRIPTION OF CHANGE		ISSUE
Contact Engineer:	Mark Tweedale	Contact Tel:	01223 203200	Printed:	10 Apr 2003
				Sheet	1 of 4
				DRAWING NO.	L954CT



DRAWING TITLE						
<b>10DAC - SRC and Clock Gen</b>						
23425						
File name:	L954C2 1.2-10DAC-SRC Clock Gen.sch	03_E109	MJT	10/04/03	R226 changed to 100R for EMC.	
Notes:		03_E079	MJT	07/03/03	Listening tests complete. IC209/IC211 changed to HC family.	
		03_E061	MJT	20/02/03	Production release	
ECO No.	INITIALS	DATE	DESCRIPTION OF CHANGE		ISSUE	
		10 Apr 2003	Sheet 2 of 4		DRAWING NO. L954CT	
Contact Engineer: Mark Tweedale		Contact Tel: 01223 203200				



DRAWING TITLE					
<b>10DAC - DACs</b>					
23425					
A & R Cambridge Ltd. Pembroke Avenue Waterbeach Cambridge CB5 9PB					
Filename:	L954C3 1.2-10DAC-DACs.sch	03_E109	MJT	10/04/03	None to this sheet
Notes:		03_E079	MJT	07/03/03	Listening tests complete. No changes to this sheet.
		03_E061	MJT	20/02/03	Production release
ECO No.	INITIALS	DATE	DESCRIPTION OF CHANGE		ISSUE
		10 Apr 2003	Sheet 3 of 4		DRAWING NO. L954CT



DRAWING TITLE						
10DAC - Analogue out						
23425						
A & R Cambridge Ltd. Pembroke Avenue Waterbeach Cambridge CB5 9PB						
Filename:	L954C4 1.2-10DAC-Analogue out.sch	03_E109	MJT	10/04/03	None to this sheet	1.2
Notes:		03_E079	MJT	07/03/03	Listening tests complete. R449/R450 changed. C427/C428/C435/C436 fitted.	1.1
		03_E061	MJT	20/02/03	Production release	1.0
ECO No.	INITIALS	DATE	DESCRIPTION OF CHANGE			ISSUE
Contract Engineer:	Mark Tweedale	Contact Tel:	(01223) 203200	Printed:	10 Apr 2003	Sheet 4 of 4
					DRAWING NO.	L954CT