

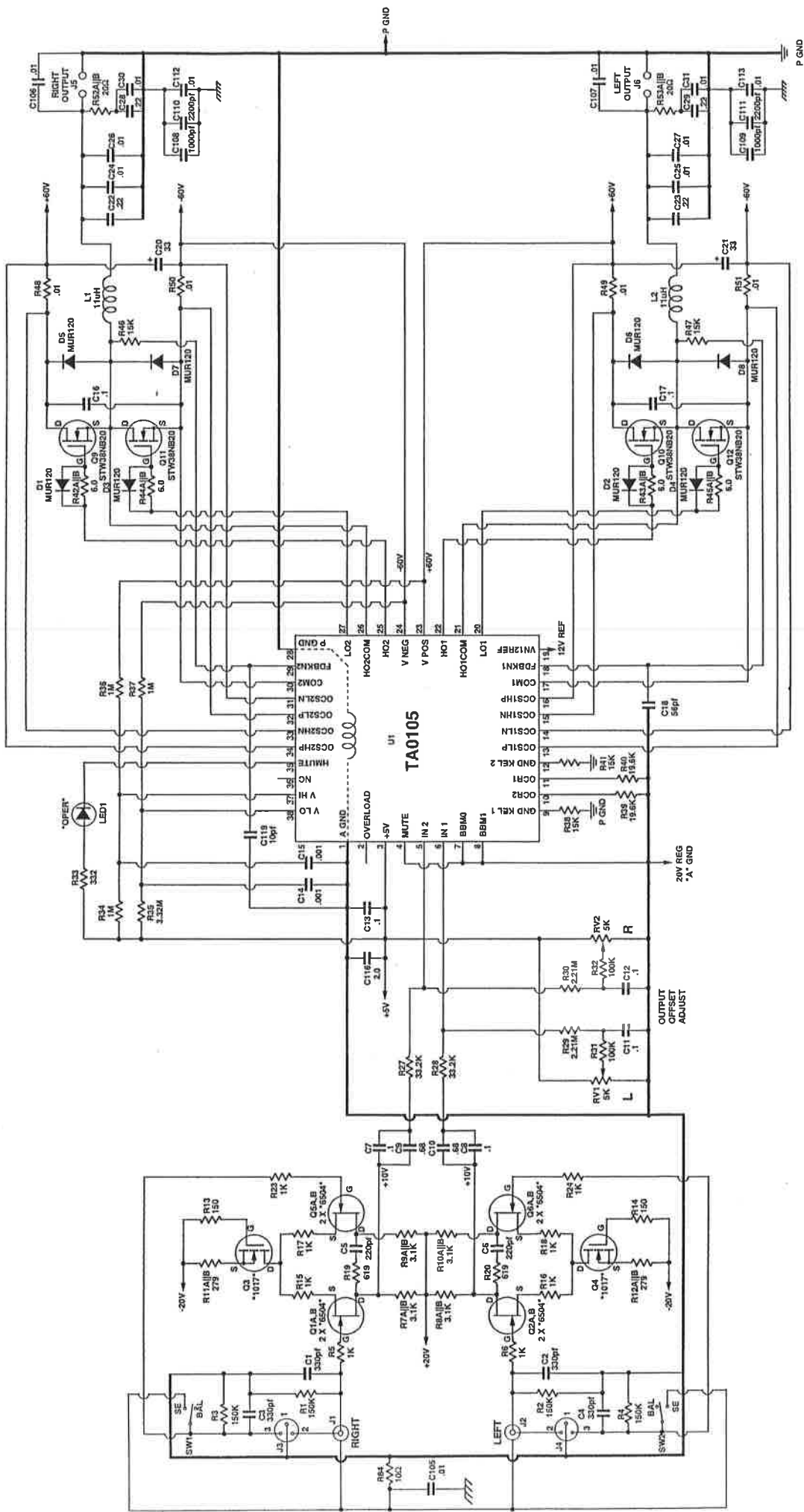
audio research

H I G H D E F I N I T I O N[®]

3900 ANNAPOLIS LANE NORTH / PLYMOUTH, MINNESOTA 55447-5447 / PHONE: 763-577-9700 FAX 763-577-0323

150.2 POWER AMPLIFIER SCHEMATIC

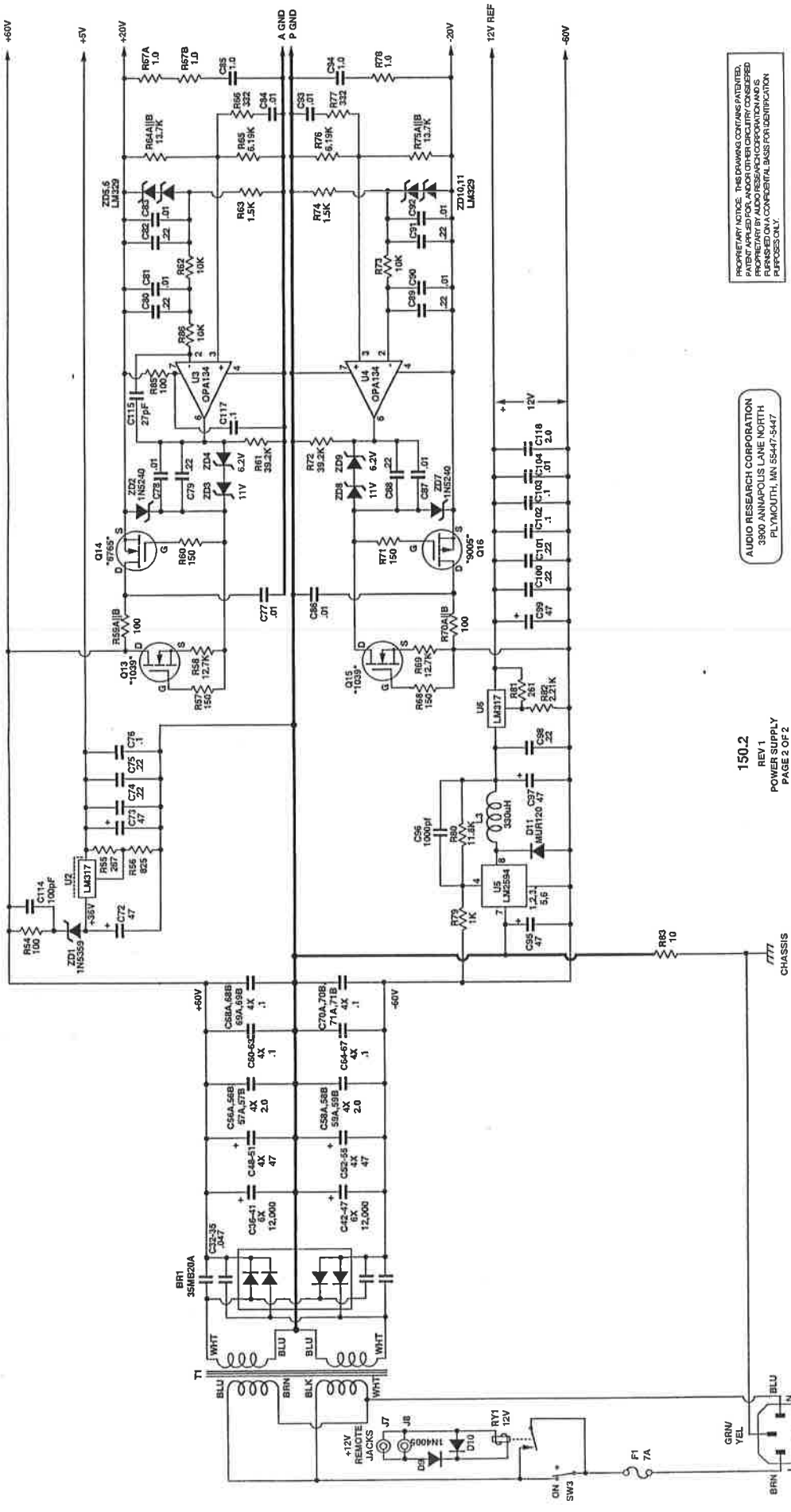
8-11-03
9-2-03



PROPRIETARY NOTICE: THIS DRAWING CONTAINS PATENTED, PATENT APPLIED FOR, AND/OR OTHER CIRCUITRY. THIS DRAWING IS THE PROPERTY OF AUDIO RESEARCH CORPORATION AND IS FURNISHED ON A CONFIDENTIAL BASIS FOR IDENTIFICATION PURPOSES ONLY.

AUDIO RESEARCH CORPORATION
 3800 ANNAPOLIS LANE NORTH
 PLYMOUTH, MINNESOTA 55447

150.2
 REV 1
 AUDIO
 PAGE 1 OF 2
 9-2-63

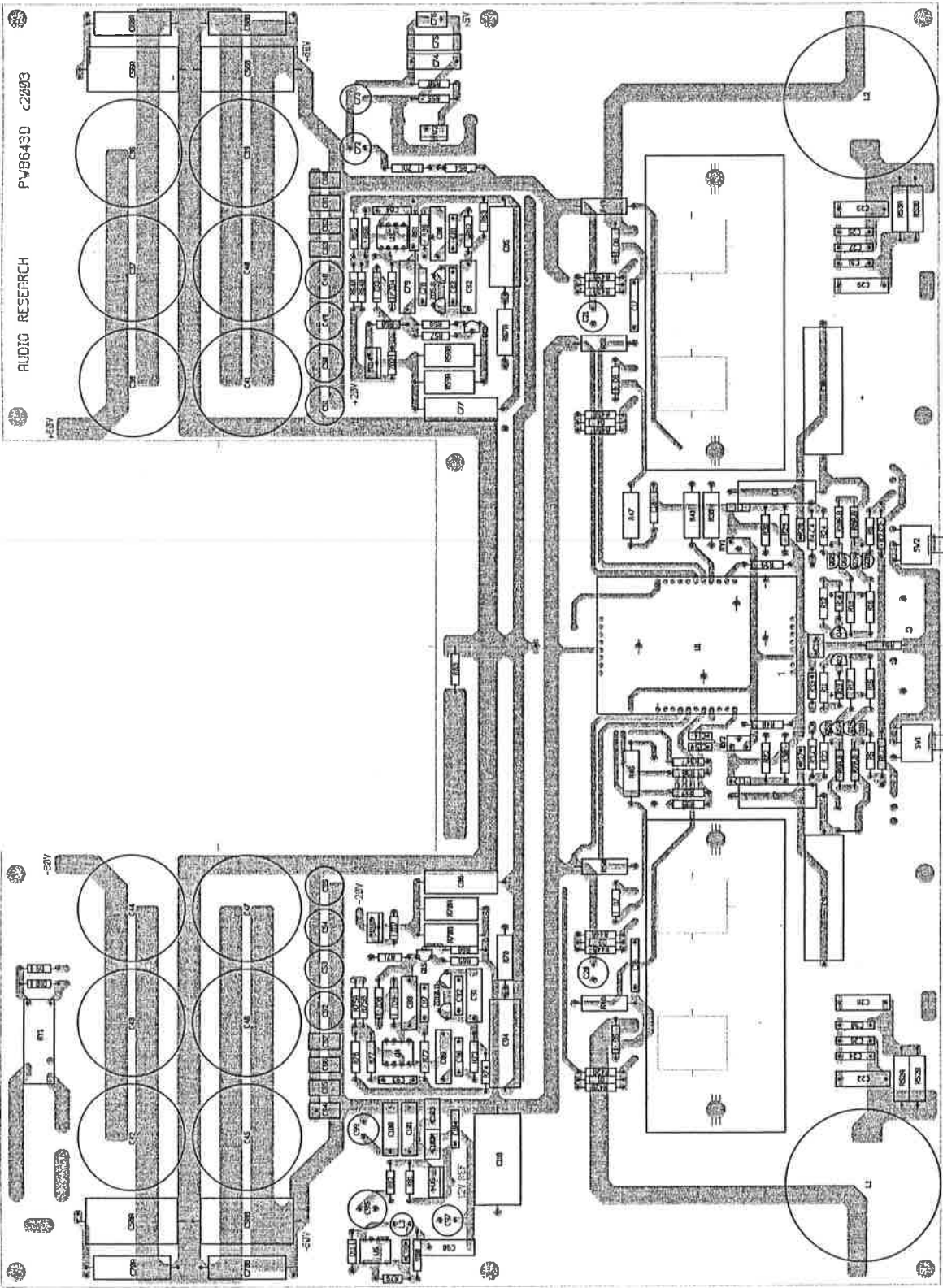


PROPRIETARY NOTICE: THIS DRAWING CONTAINS PATENTED INFORMATION. ANY REPRODUCTION OR DISSEMINATION OF THIS DRAWING WITHOUT THE WRITTEN PERMISSION OF AUDIO RESEARCH CORPORATION IS STRICTLY PROHIBITED.

150.2
REV 1
POWER SUPPLY
PAGE 2 OF 2
S-2-93

AUDIO RESEARCH CORPORATION
3900 ANNAPOLIS LANE NORTH
PLYMOUTH, MN 55447-5447

120 VAC 50/60 HZ



AUDIO RESEARCH FWB643D C2893

1502 OUTLINE
FWB643D COMPONENT SIDE
8-11-03