

- NOTES:**
1. LEFT CHANNEL SHOWN. (RIGHT CHANNEL TUBE PINS AND WIRING INTERCONNECTIONS ARE IN PARENTHESIS, WHERE DIFFERENT).
 2. ⊕ DENOTES WIRING INTERCONNECTIONS TO PWB AND TEST POINTS.
 3. UNLESS OTHERWISE NOTED, ALL RESISTORS 1/2W AND CAPACITORS IN μF.
 4. USE CAUTION WHEN SERVICING HIGH VOLTAGE COMPONENTS. CONTACT WITH STORED ENERGY EVEN WITH POWER OFF COULD BE LETHAL.
 5. ALL VOLTAGES ARE AT 120VAC 60Hz LINE.
 6. EARLY UNITS DID NOT HAVE R68, RV13(14); R22, 23 WERE 39K.
 7. EARLY UNITS HAD MICA CAPACITORS FOR C1, C4, C5.

AUDIO RESEARCH CORPORATION
 MINNEAPOLIS, MINNESOTA

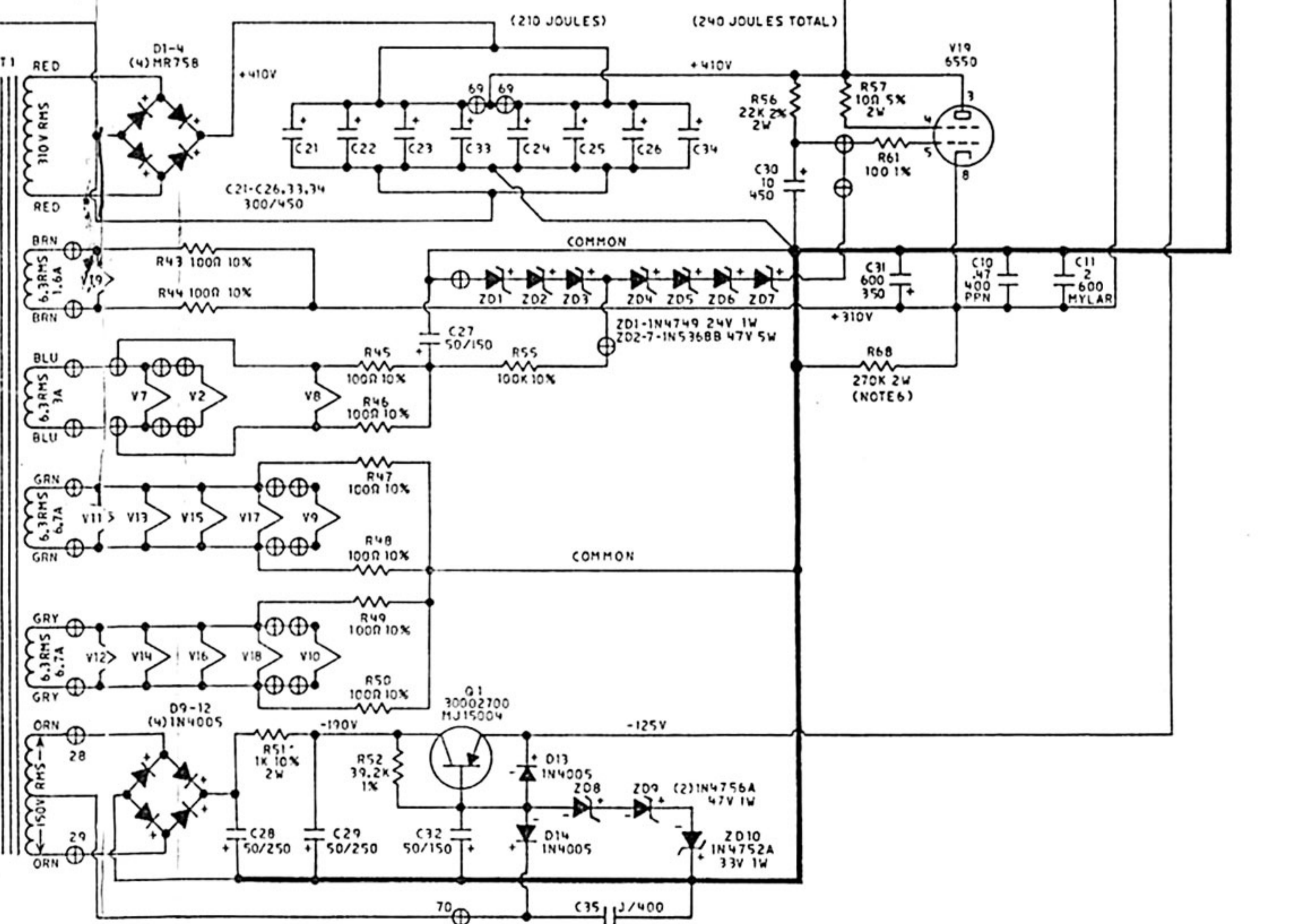
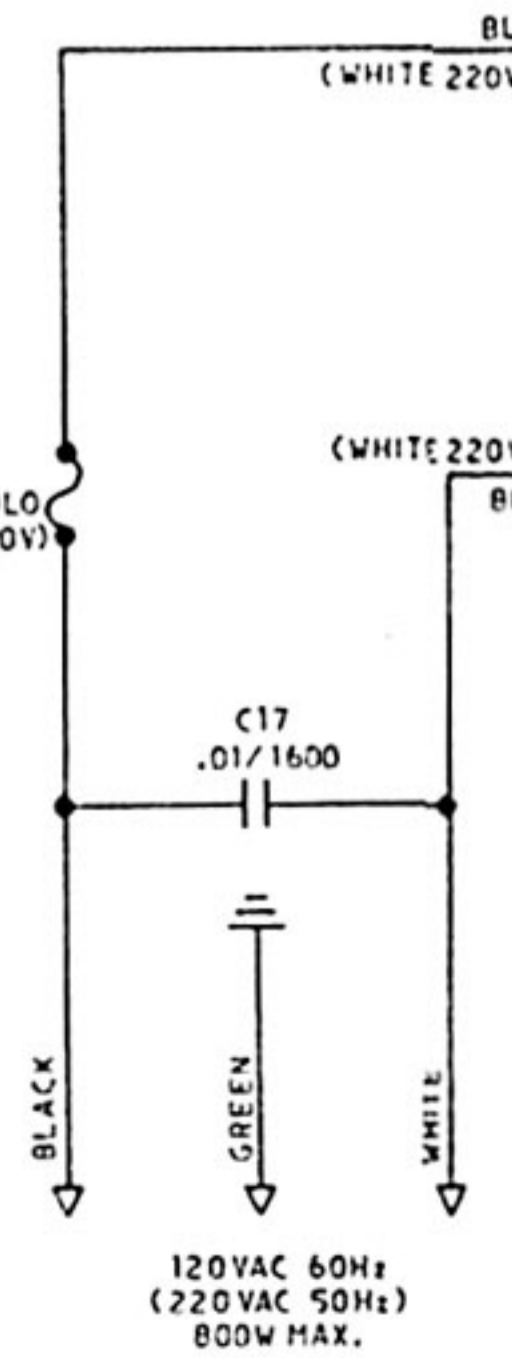
SCALE: 1" = 100' S.C.
 APPROVED BY: _____

SCHEMATIC
 D-90 AMPLIFIER

DATE: 12-6-80 DRAWING NUMBER: 910074-10 B

PROPRIETARY NOTICE
 THE INFORMATION CONTAINED HEREIN IS CONSIDERED PROPRIETARY BY AUDIO RESEARCH AND IS FURNISHED ON A CONFIDENTIAL BASIS FOR IDENTIFICATION PURPOSES ONLY.

U.S. PATENT NO. 3,538,447
 AND PATENT NO. 3,566,236



V1-4 ECC83 (PREMIUM)
 V5-8 6FQ7
 V9-10 ECC81 (12AT7)
 V11-18 6550 (G.E.) MATCHED SET
 V19- 6550 (G.E.)

LEFT CHANNEL ONLY

CAUTION!! 40HM TAPS ARE GROUNDED. AVOID SWITCHING SYSTEMS AND TESTING SYSTEMS WITH COMMON GROUND.