

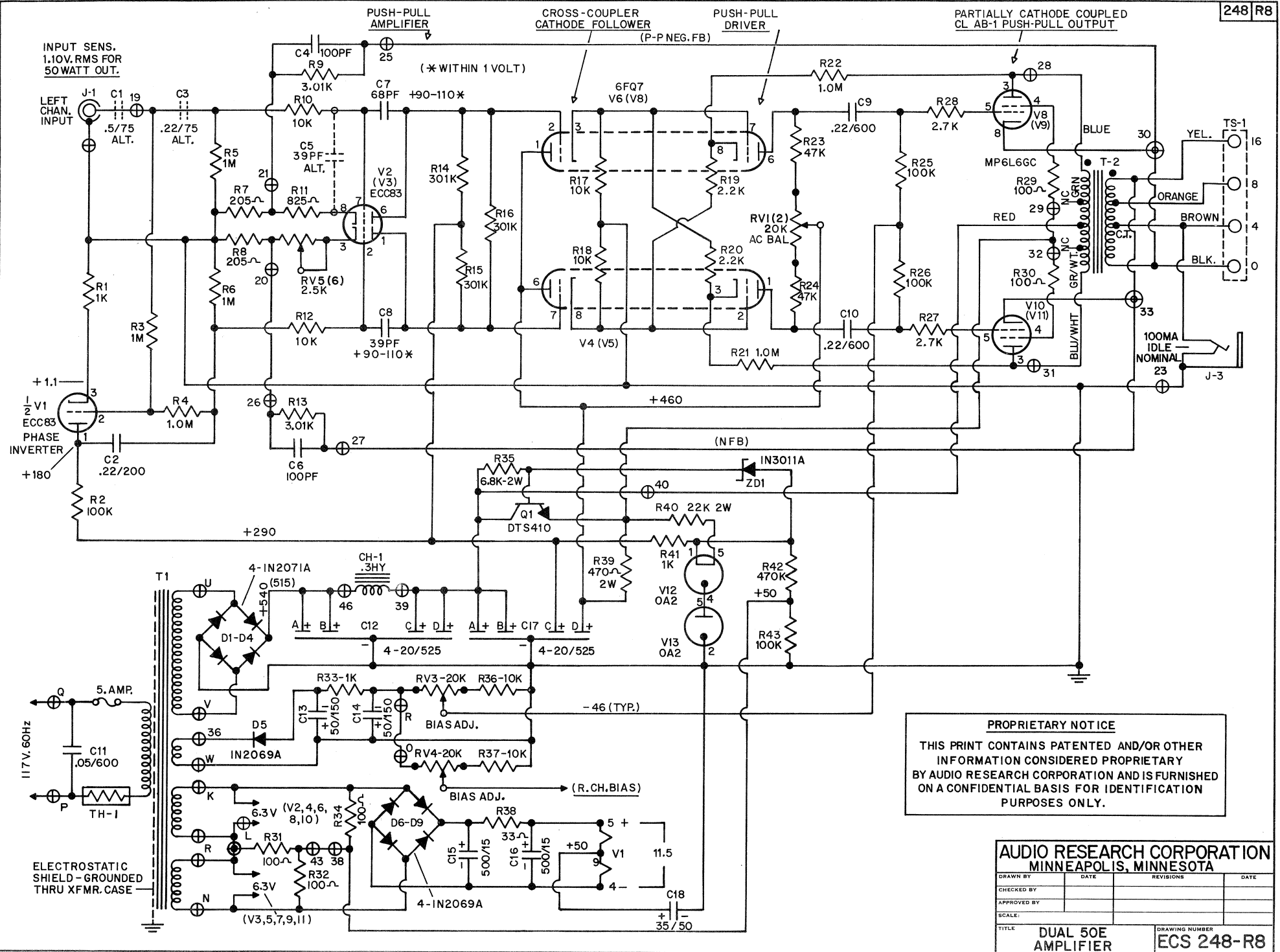
**PROPRIETARY NOTICE**  
 THIS PRINT CONTAINS PATENTED AND/OR OTHER INFORMATION CONSIDERED PROPRIETARY BY AUDIO RESEARCH CORPORATION AND IS FURNISHED ON A CONFIDENTIAL BASIS FOR IDENTIFICATION PURPOSES ONLY.

U.S. PATENT NO. 3,538,447

DATE	REVISIONS
R1 12/4/69	
R2 12/17/69	
R3 6/5/70	DUAL 50A
R4 7/11/70	" 50B
R5 1/4/71	" 50C
R6 2/4/71	" 50D
R7 5/10/71	" 50D-I
R8 6/22/71	" 50E
R9 7/26/71	" 50F
R10 12/6/71	" 50F-IB
R11 1/21/72	DELETE R46 ADD C19,20,R52,53,54
R12 9/18/72	DEL. R47,48, 54,ZD2,ADD R55,56, 57,58,59 & ZD3

**AUDIO RESEARCH CORPORATION**  
 MINNEAPOLIS, MINNESOTA

DRAWN BY	DATE	REVISIONS	DATE
CHECKED BY		REV.12 EFFECTIVE -	9/18/72
APPROVED BY			
SCALE			
TITLE	DRAWING NUMBER		
DUAL 50F-IB SCHEMATIC	ECS-248-R12		



**PROPRIETARY NOTICE**  
THIS PRINT CONTAINS PATENTED AND/OR OTHER INFORMATION CONSIDERED PROPRIETARY BY AUDIO RESEARCH CORPORATION AND IS FURNISHED ON A CONFIDENTIAL BASIS FOR IDENTIFICATION PURPOSES ONLY.

**AUDIO RESEARCH CORPORATION**  
MINNEAPOLIS, MINNESOTA

DRAWN BY	DATE	REVISIONS	DATE
CHECKED BY			
APPROVED BY			
SCALE:			
TITLE:			

**DUAL 50E AMPLIFIER**      DRAWING NUMBER **ECS 248-R8**