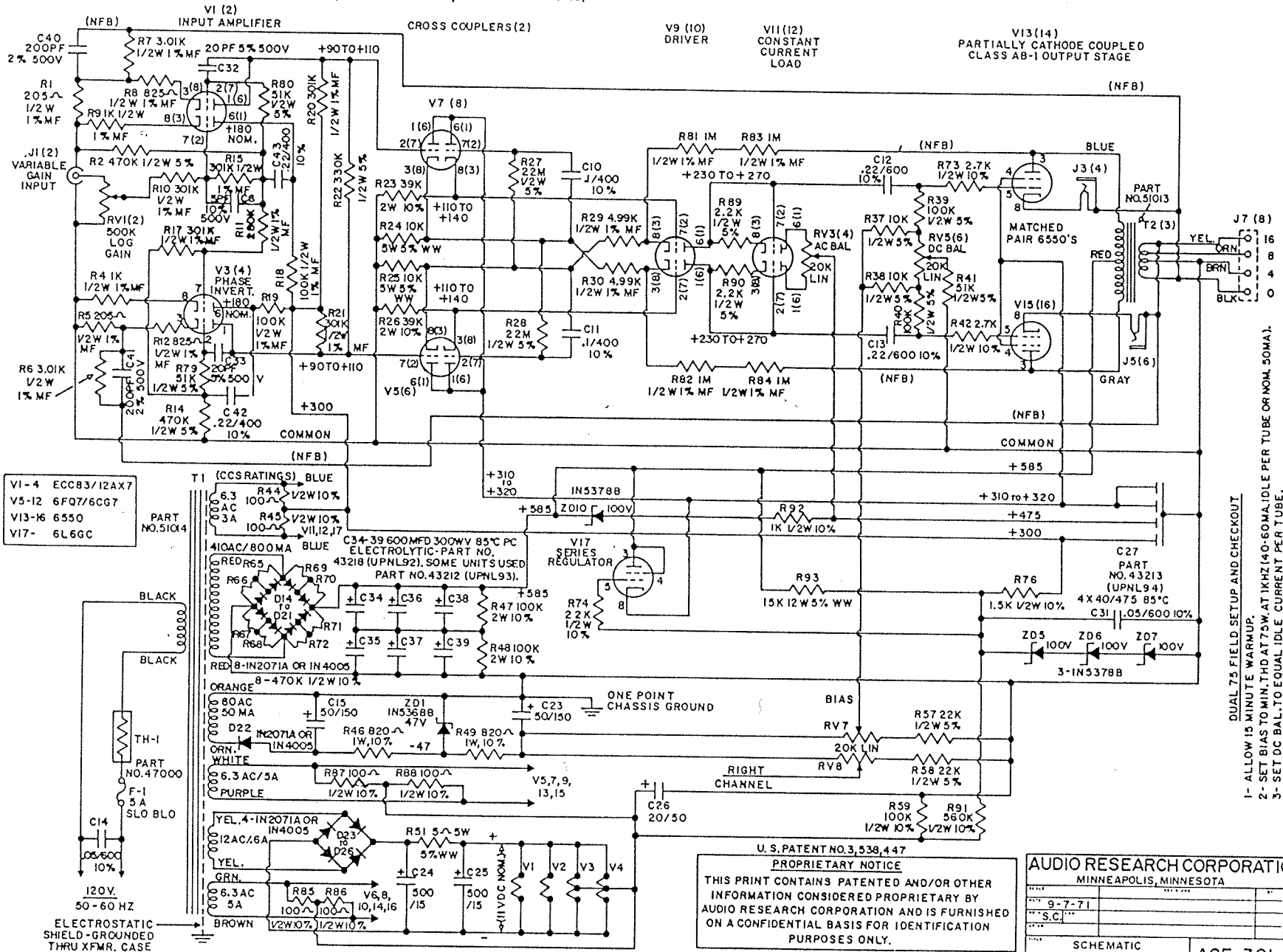


LEFT CHANNEL SHOWN (RIGHT CHANNEL TUBE PINS, WHERE DIFFERENT, ARE IN PARENTHESIS)



DUAL 75 FIELD SETUP AND CHECKOUT  
 1- ALLOW 15 MINUTE WARMUP.  
 2- SET BIAS TO MIN. THD AT 75W. AT 1KHZ (40-60MA. IDLE PER TUBE OR NOM. 50MA).  
 3- SET DC BAL. TO EQUAL IDLE CURRENT PER TUBE.  
 4- SET AC BAL. TO MIN. THD AT 75W. AT 1KHZ (.1%, .05 TO .07 NOM.).  
 (5- IF WITHOUT DISTORTION MEASURING EQUIPMENT, SET ALL 4 OUTPUT TUBES TO 50MA EACH AFTER 30 MINUTE WARMUP).

U.S. PATENT NO. 3,538,447  
 PROPRIETARY NOTICE  
 THIS PRINT CONTAINS PATENTED AND/OR OTHER INFORMATION CONSIDERED PROPRIETARY BY AUDIO RESEARCH CORPORATION AND IS FURNISHED ON A CONFIDENTIAL BASIS FOR IDENTIFICATION PURPOSES ONLY.

AUDIO RESEARCH CORPORATION  
 MINNEAPOLIS, MINNESOTA  
 9-7-71  
 S.C.I.  
 SCHEMATIC  
 DUAL 75 AMPLIFIER  
 ACE-301

D-75 SCHEMATIC DIAGRAM