

Beocord 6002 Type 4851, 4852, 4853, 4854, 4855, 4856, 4857

Beocord 8004 Type 4861, 4862, 4863, 4864, 4865, 4866, 4867

DIAGRAMFORKLARING

De enkelte diagramsider er mærket med et bogstav f. eks. DIAGRAM A.

På diagrammet er der angivet type numre på transistorer og IC'er (f. eks. TR30 BC557B) i de tilfælde, hvor type nummeret er entydigt for komponentens placering i et kredsløb. Hvis positions nummeret er efterfulgt af en stjerne (f. eks. TR101*) **skal** reservedels nummeret benyttes, da denne komponent er specielt udvalgt.

LEDNINGSFORBINDELSER

Ledningsforbindelserne på diagrammet er samlet i »bundter«. De enkelte ledninger er forsynet med koder, der fortæller hvortil de går.

INTERN FORBINDELSE PÅ EN DIAGRAMSIDE



Interne forbindelser på en diagramside angives med et tal. Knækket på ledningen viser i hvilken retning den anden ende af ledningen findes.

FORBINDELSE TIL EN ANDEN DIAGRAMSIDE



Forbindelsen til en anden diagramside angives med et tal, samt bogstav indikation på det diagram forbindelsen går til.

DIAGRAM EXPLANATION

The individual diagram pages are marked with a letter, e.g. DIAGRAM A.

Type numbers of transistors and ICs (e.g. TR30/BC557B) have been indicated on the diagram in those cases where the type number is unambiguous for the position of the component in a circuitry. If the position number is followed by an asterisk (e.g. TR101*), the spare parts number **must be used** because this component has been especially selected.

WIRING CONNECTIONS

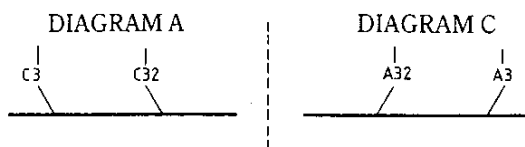
The wiring connections on the diagram are assembled in »bundles«. The individual wires are coded to indicate to where they are leading.

INTERNAL CONNECTION ON ONE DIAGRAM PAGE



Internal connections on a diagram page are indicated by a number. The bend of the wire indicates in which direction the other end of the wire may be found.

CONNECTION TO ANOTHER DIAGRAM PAGE



Connections to another diagram page are indicated by a number, as well as by a letter indication of the diagram to which the connections lead.

FOR SERVICE MANUALS
CONTACT:

MAURITRON TECHNICAL SERVICES

www.mauritron.co.uk

TEL: 01844 - 351694

FAX: 01844 - 352554

2450

DIAGRAM A FOR BEOCORD 6002

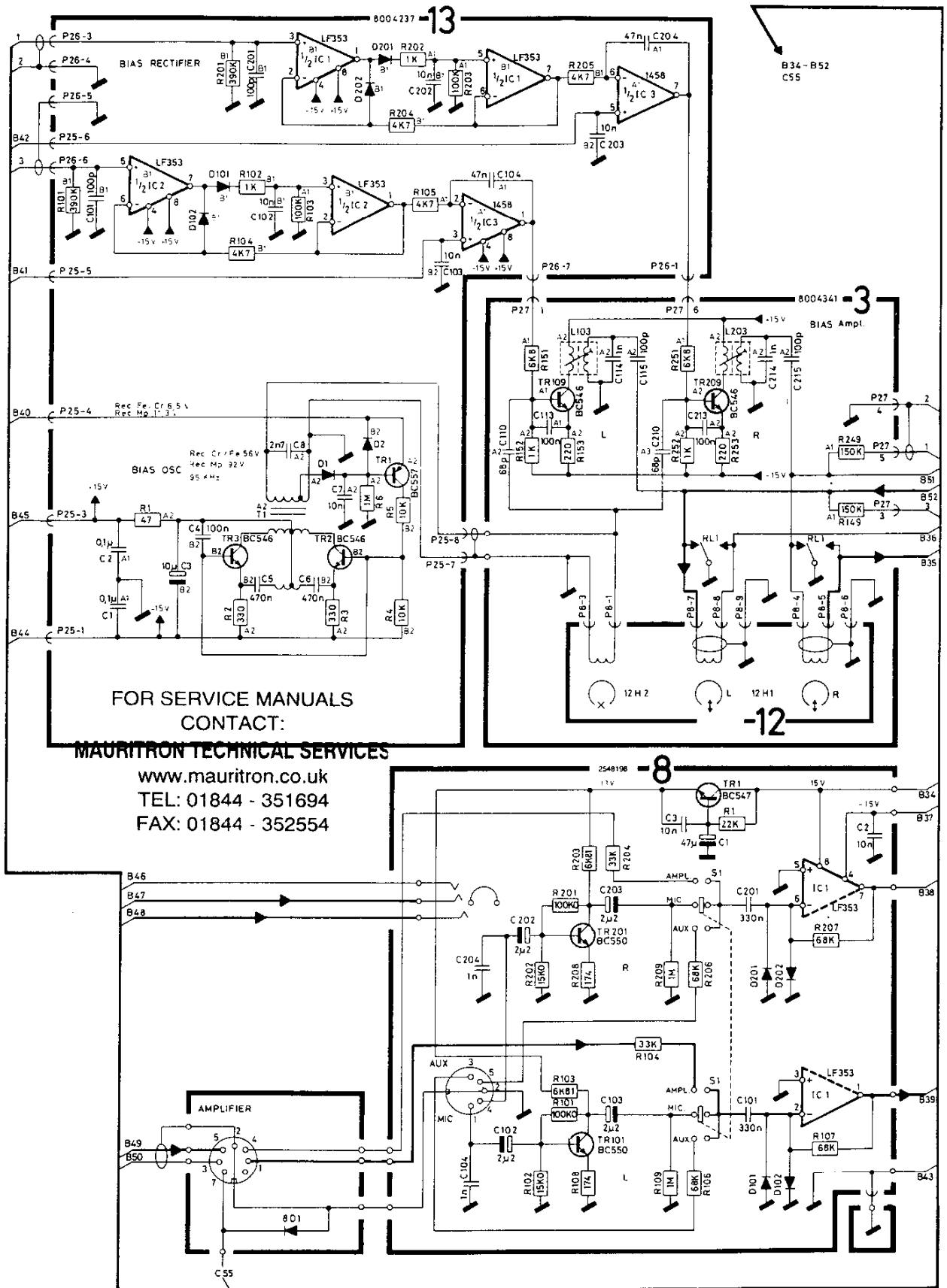
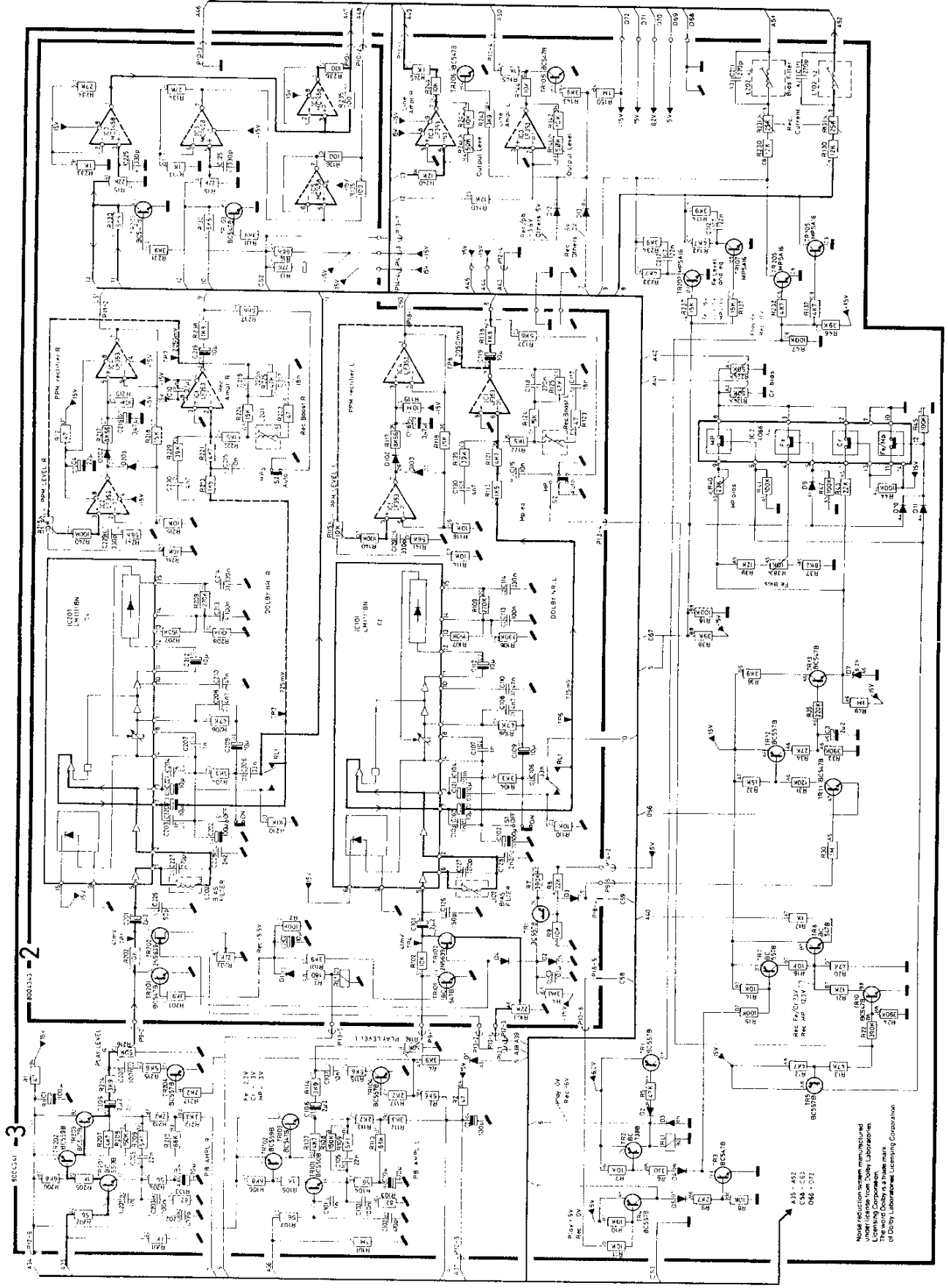


DIAGRAM B FOR BEOCORD 6002



Noise reduction system manufactured by Bang & Olufsen Laboratories. The word Dolby is a trade mark of Dolby Laboratories Licensing Corporation.

DIAGRAM C FOR BEOCORD 6002

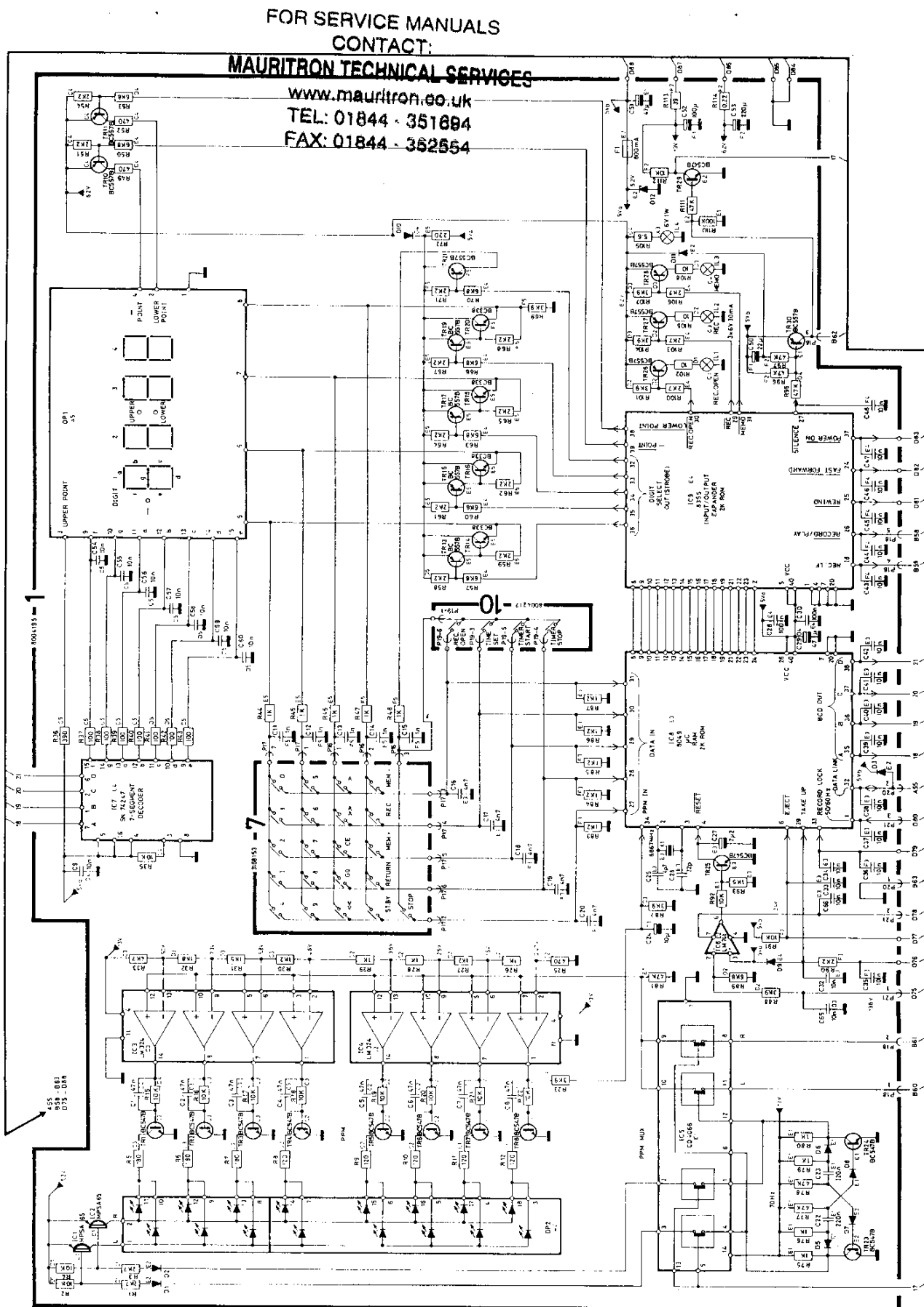
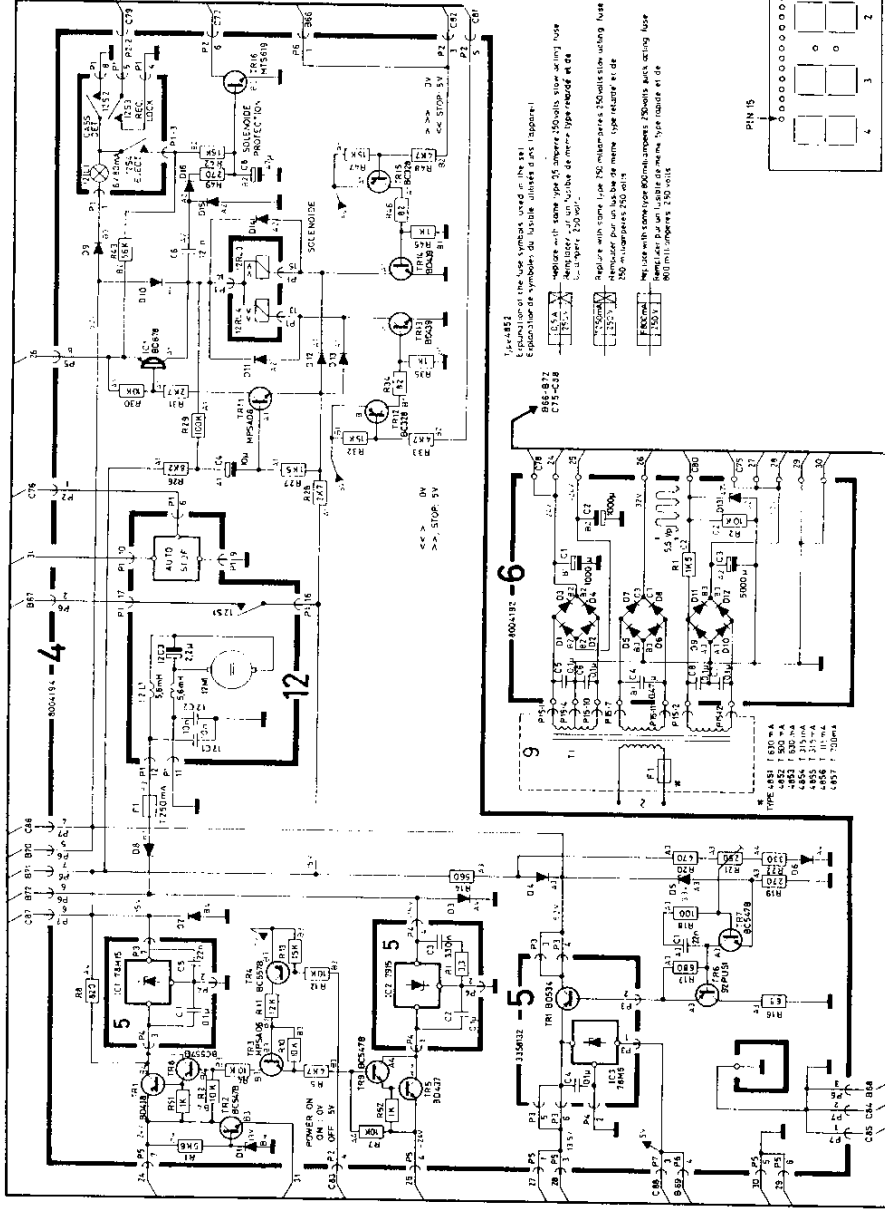


DIAGRAM FOR BEOCORD 6002



Switches:

- 12S1 Fe₂O₃ ON, CrO₂ OFF.
- 12S2 With cass. ON, without OFF.
- 12S3 Rec. ON, Rec lock OFF.
- 12S4 Play ON, Press eject OFF.

PN ASSIGNMENT (BOTTOM VIEW)

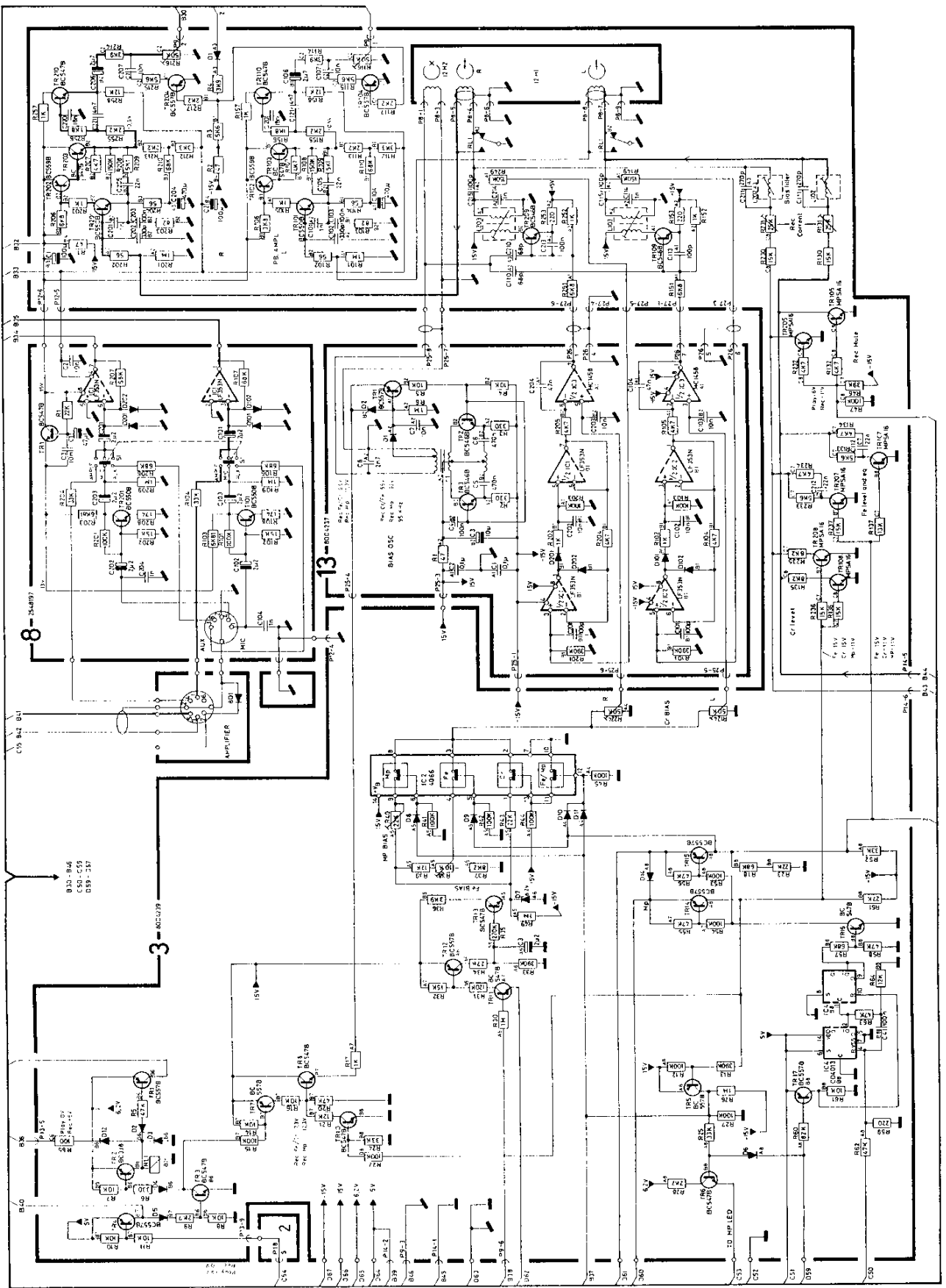
- 1 COMMON CATHODE (POINTS)
- 2 UPPER POINT ANODE
- 3 LOWER POINT ANODE
- 4 - POINT ANODE
- 5 DIGIT 1 ANODE
- 6 DIGIT 2 ANODE
- 7 DIGIT 3 ANODE
- 8 DIGIT 4 ANODE
- 9 SEG. aCATHODE
- 10 SEG. bCATHODE
- 11 SEG. cCATHODE
- 12 SEG. dCATHODE
- 13 SEG. eCATHODE
- 14 SEG. fCATHODE
- 15 SEG. gCATHODE

| DECIMAL ON DISPLAY | INPUTS | | | | | | | OUTPUTS | | | | | | | | | |
|--------------------|--------|---|---|---|---|---|---|---------|---|---|---|---|---|---|---|---|---|
| | D | C | B | A | a | b | c | d | e | f | g | | | | | | |
| 0 | 0 | 0 | 0 | 0 | 0 | 0 | 0 | 0 | 0 | 0 | 0 | 0 | 0 | 0 | 0 | 0 | 0 |
| 1 | 0 | 0 | 0 | 1 | 1 | 0 | 1 | 1 | 1 | 1 | 1 | 1 | 1 | 1 | 1 | 1 | 1 |
| 2 | 0 | 0 | 1 | 0 | 0 | 1 | 0 | 1 | 0 | 1 | 0 | 1 | 0 | 1 | 0 | 1 | 0 |
| 3 | 0 | 0 | 1 | 1 | 0 | 0 | 1 | 1 | 0 | 0 | 1 | 1 | 0 | 0 | 1 | 1 | 0 |
| 4 | 0 | 1 | 0 | 1 | 0 | 1 | 0 | 1 | 0 | 1 | 0 | 1 | 0 | 1 | 0 | 1 | 0 |
| 5 | 0 | 1 | 0 | 1 | 1 | 0 | 1 | 0 | 1 | 0 | 1 | 0 | 1 | 0 | 1 | 0 | 0 |
| 6 | 0 | 1 | 1 | 0 | 0 | 1 | 0 | 0 | 0 | 0 | 0 | 0 | 0 | 0 | 0 | 0 | 0 |
| 7 | 0 | 1 | 1 | 0 | 0 | 1 | 0 | 0 | 1 | 1 | 1 | 1 | 1 | 1 | 1 | 1 | 1 |
| 8 | 1 | 0 | 0 | 0 | 0 | 0 | 0 | 0 | 0 | 0 | 0 | 0 | 0 | 0 | 0 | 0 | 0 |
| 9 | 1 | 0 | 0 | 1 | 0 | 0 | 1 | 0 | 0 | 1 | 0 | 0 | 1 | 0 | 0 | 1 | 0 |
| A | 1 | 0 | 1 | 0 | 0 | 1 | 0 | 0 | 1 | 0 | 0 | 1 | 0 | 0 | 1 | 0 | 0 |
| B | 1 | 0 | 1 | 0 | 1 | 0 | 0 | 1 | 0 | 0 | 1 | 0 | 0 | 1 | 0 | 0 | 0 |
| C | 1 | 0 | 1 | 1 | 0 | 0 | 1 | 0 | 0 | 1 | 0 | 0 | 1 | 0 | 0 | 0 | 0 |
| D | 1 | 1 | 0 | 0 | 1 | 0 | 0 | 1 | 0 | 0 | 1 | 0 | 0 | 1 | 0 | 0 | 0 |
| E | 1 | 1 | 0 | 1 | 0 | 1 | 0 | 0 | 1 | 0 | 0 | 1 | 0 | 0 | 1 | 0 | 0 |
| F | 1 | 1 | 1 | 0 | 0 | 1 | 0 | 0 | 1 | 0 | 0 | 1 | 0 | 0 | 1 | 0 | 0 |
| G | 1 | 1 | 1 | 0 | 1 | 0 | 0 | 1 | 0 | 0 | 1 | 0 | 0 | 1 | 0 | 0 | 0 |

| FUNCTION TABLE FOR MICROCOMPUTER 11C8 - 11C9 | | | | |
|--|----------|------|------|---------------------------------|
| CONDITIONS | FUNCTION | | | RESULTS |
| | 11C8 | 11C8 | 11C9 | |
| PIN 4 | 3.3 | 0 | | 2.4, 25, 26, 27, 28, 37, 30, 29 |
| 1 | 1 | 1 | 1 | 1 0 0 1 |
| 1 | 1 | 1 | 1 | 1 0 0 1 |
| 1 | 1 | 1 | 1 | 1 0 0 1 |
| 1 | 1 | 1 | 1 | 1 0 0 1 |
| 1 | 1 | 1 | 1 | 1 0 0 1 |
| 1 | 1 | 1 | 1 | 1 0 0 1 |
| 1 | 1 | 1 | 1 | 1 0 0 1 |
| 1 | 1 | 1 | 1 | 1 0 0 1 |

FOR SERVICE MANUALS CONTACT:
MAURITRON TECHNICAL SERVICES
www.mauritron.co.uk
 TEL: 01844 - 351694
 FAX: 01844 - 352554

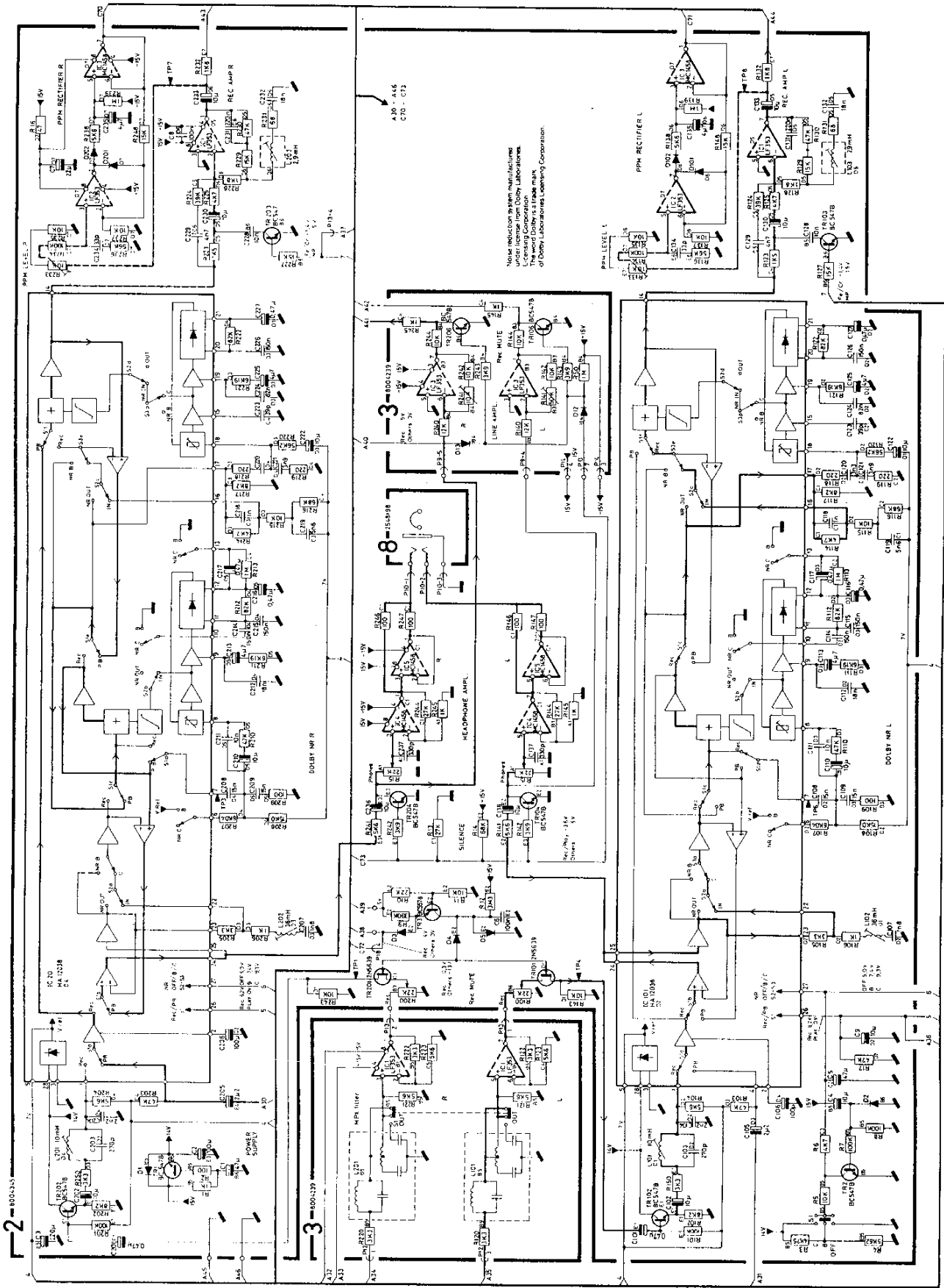
DIAGRAM A FOR BECORD 8004



FOR SERVICE MANUALS
 CONTACT:
MAURITRON TECHNICAL SERVICES
 www.mauritron.co.uk
 TEL: 01844 - 351694
 FAX: 01844 - 352554

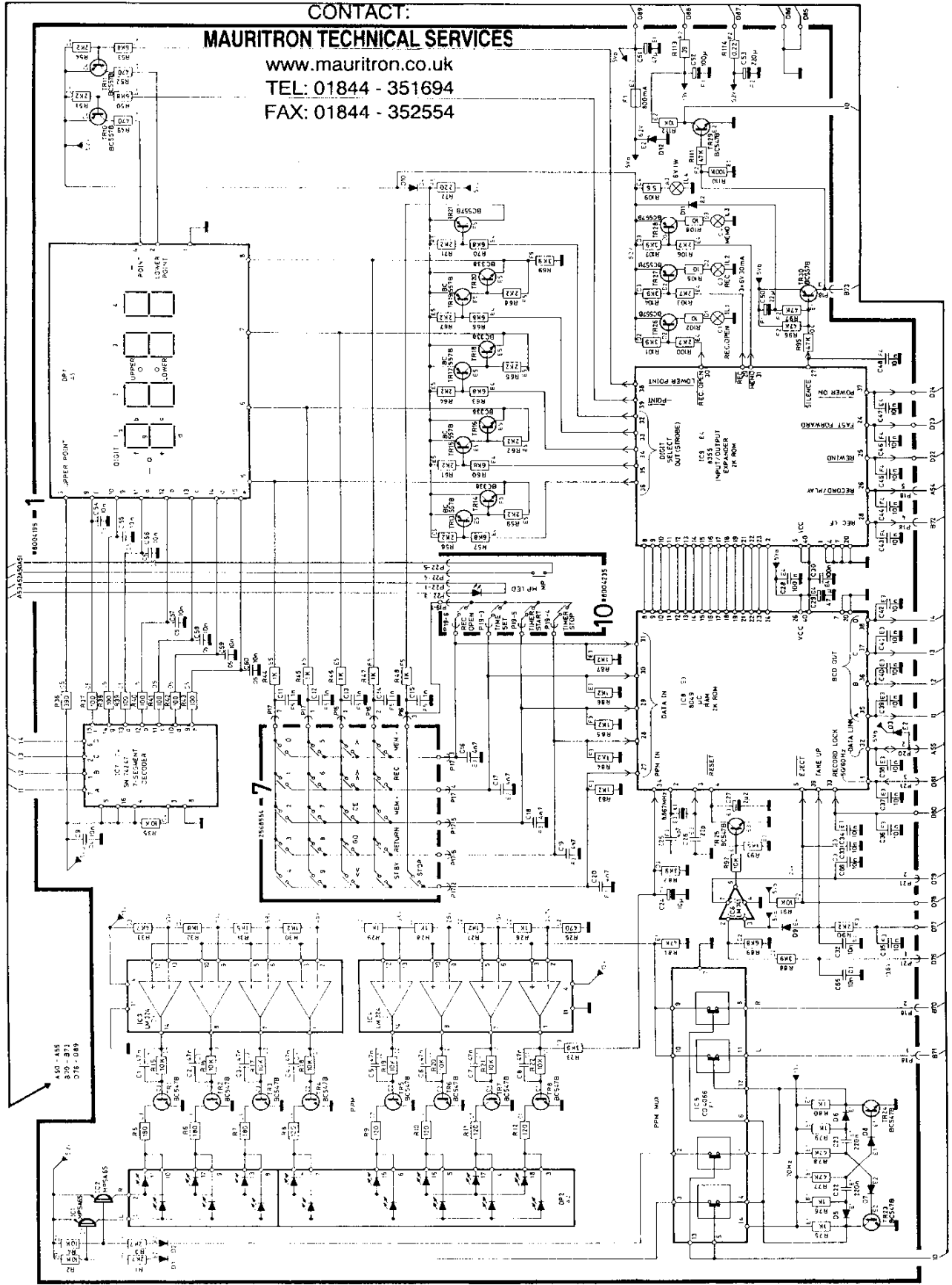
DIAGRAM B FOR BEOCORD 8004

FOR SERVICE MANUALS
CONTACT:
MAURITRON TECHNICAL SERVICES
www.mauritron.co.uk
TEL: 01844 - 351694
FAX: 01844 - 352554



Noise reduction system manufactured under license from Dolby Laboratories. The word Dolby is a trade mark of Dolby Laboratories Licensing Corporation.

DIAGRAM C FOR BEOCORD 8004



FOR SERVICE MANUALS

CONTACT:

MAURITRON TECHNICAL SERVICES

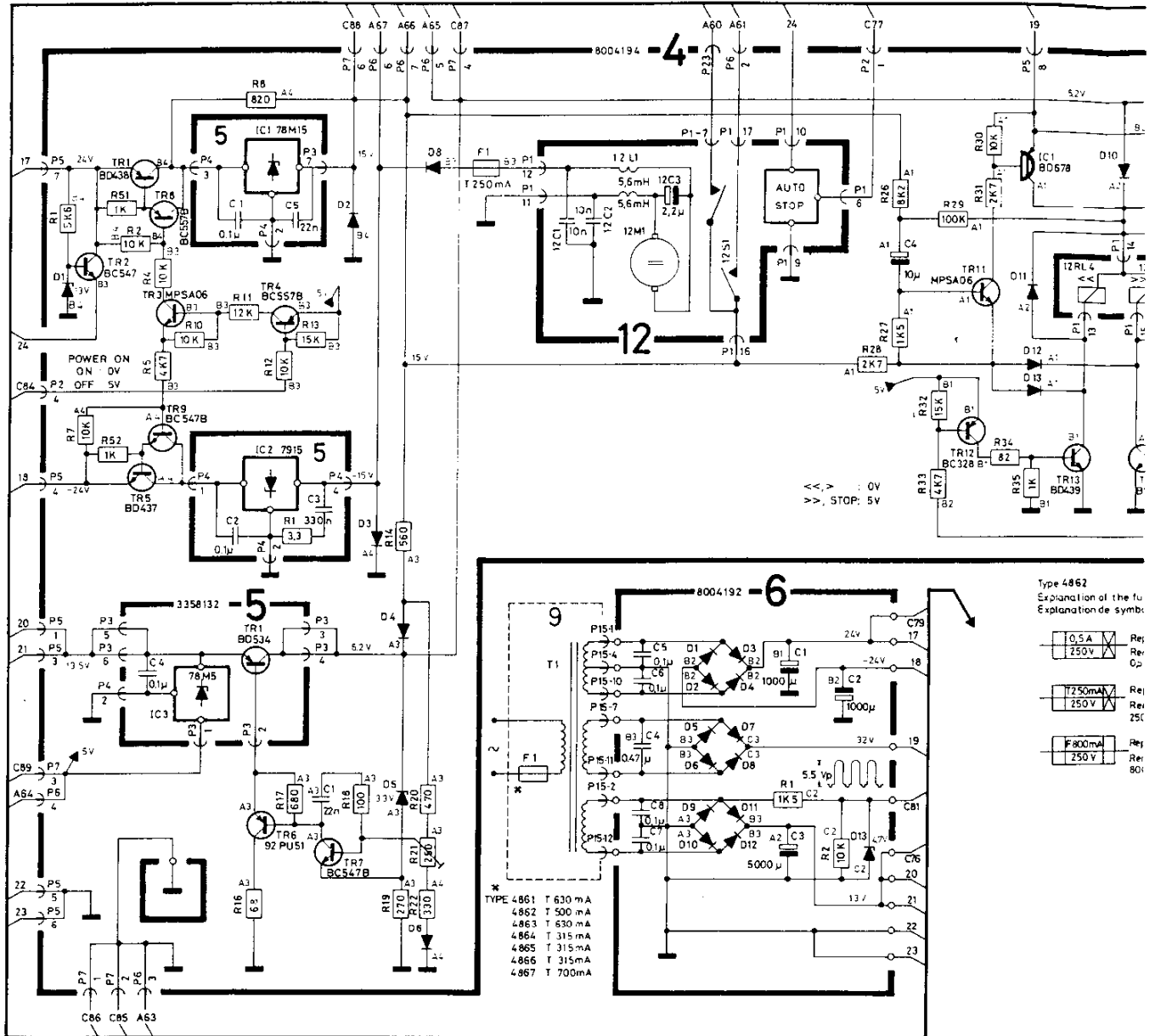
www.mauritron.co.uk

TEL: 01844 - 351694

FAX: 01844 - 352554

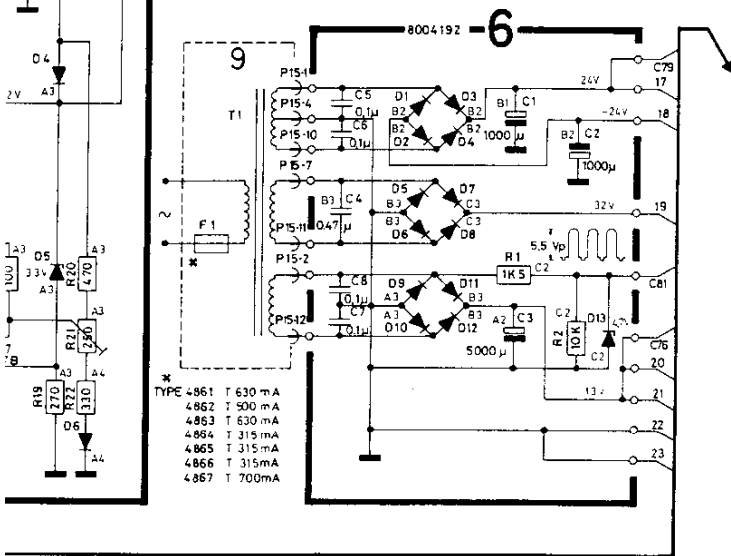
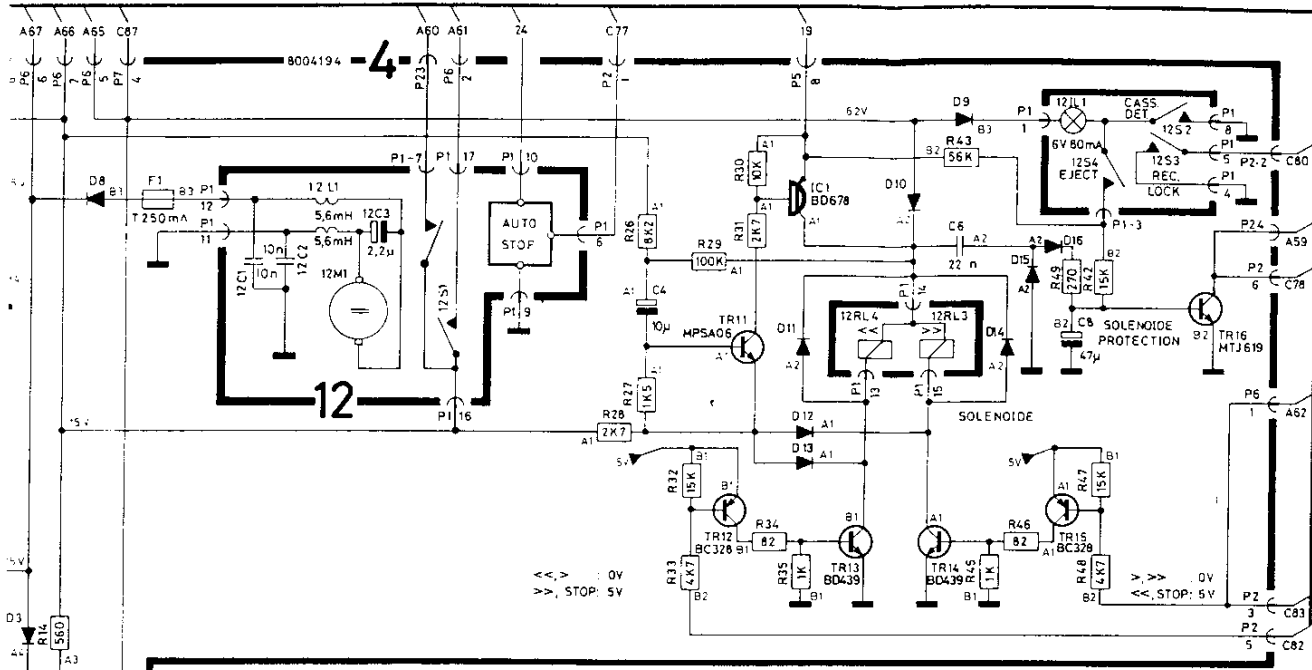
Bang & Olufsen

DIAGRAM D FOR BEOCORD 8004



FOR SERVICE MANUALS
CONTACT:
MAURITRON TECHNICAL SERVICES
www.mauritron.co.uk
TEL: 01844 - 351694
FAX: 01844 - 352554

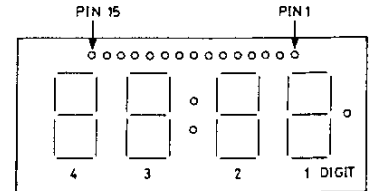
| FUNCT | CONDI | |
|-------|-------|-----|
| | 11C8 | 11C |
| PIN | 4 | 3 |
| | 1 | |
| | 1 | 1 |
| | 1 | 1 |
| | 1 | |
| | 1 | |
| | 1 | 1 |



Type 4862

Explanation of the fuse symbols used in the set:
 Explication de symboles du fusible utilisés dans l'appareil

- Replace with same type 0.5 ampere 250volts slow acting fuse.
Remplacer par un fusible de meme type retardé et de 0,5 ampere 250volts.
- Replace with same type 250 milliamperes 250volts slow acting fuse.
Remplacer par un fusible de meme type retardé et de 250 milliamperes 250volts.
- Replace with same type 800milliamperes 250volts quick acting fuse.
Remplacer par un fusible de meme type rapide et de 800 milliamperes 250volts.



| FUNCTION TABLE FOR MICROCOMPUTER 11C8-11C9 | | | | | | | | | | | | |
|--|------------|------|------|-----------|---------|----|----|----|----|----|----|-----|
| PIN | CONDITIONS | | | FUNCTION | RESULTS | | | | | | | |
| | 11C8 | 11C8 | 11C8 | | 11C9 | | | | | | | |
| | 4 | 33 | 6 | | 24 | 25 | 26 | 27 | 28 | 37 | 30 | 29 |
| 1 | | | | STAND BY | 1 | 1 | 1 | 0 | 0 | 1 | | |
| 1 | 1 | 1 | 1 | REC OPEN | | | 1 | | 0 | 0 | 0 | 1 |
| 1 | 1 | 1 | 1 | RECORD | 0 | 0 | 0 | 1 | 1 | 0 | 0 | 0 |
| 1 | | | | STOP | 1 | 1 | 1 | 0 | 0 | 0 | | 1 |
| 1 | 1 | 1 | | >> | 0 | 1 | 1 | 0 | 0 | 0 | | 1 |
| 1 | 1 | 1 | | << | 1 | 0 | 1 | 0 | 0 | 0 | | 1 |
| 1 | 1 | 1 | | > | 0 | 0 | 1 | 1 | 0 | 0 | | 1 |
| 1 | 1 | 1 | 1 | REC PAUSE | 1 | 1 | 0 | 1 | 1 | 0 | 0 | 1/0 |

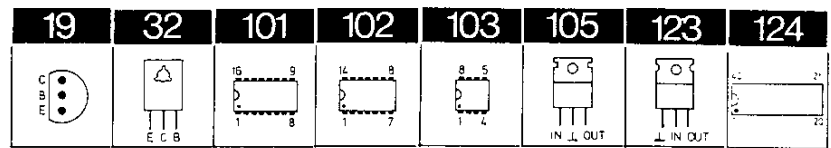
BECCORD 6002 LIST OF TRANSISTORS

FOR SERVICE MANUALS
CONTACT:
MAURITRON TECHNICAL SERVICES
www.mauritron.co.uk
TEL: 01844 - 351694
FAX: 01844 - 352554

| 19 | 20 | 24 | 31 | 32 | | | |
|------------|------------|------------------------|----|------------|------------|------------------|--|
| | | | | | | | |
| 1TR1-8 | 8320097 20 | BC 547B | | 3TR12 | 8320152 20 | BC 557B | |
| 1TR10-13 | 8320152 20 | BC 557B | | 3TR13 | 8320097 20 | BC 547B | |
| 1TR14 | 8320329 20 | BC 338- 25/18 | | 3TR101/201 | 8320344 20 | BC 550B | |
| 1TR15 | 8320152 20 | BC 557B | | 3TR102/202 | 8320069 20 | BC 559B | |
| 1TR16 | 8320329 20 | BC 338- 25/18 | | 3TR103/203 | 8320097 20 | BC 547B | |
| 1TR17 | 8320152 20 | BC 557B | | 3TR104/204 | 8320152 20 | BC 557B | |
| 1TR18 | 8320329 20 | BC 338- 25/18 | | 3TR105/205 | 8320366 19 | MPS A16 | |
| 1TR19 | 8320152 20 | BC 557B | | 3TR106/206 | 8320097 20 | BC 547B | |
| 1TR20 | 8320329 20 | BC 338- 25/18 | | 3TR107/207 | 8320366 19 | MPS A16 | |
| 1TR21 | 8320152 20 | BC 557B | | 3TR109/209 | 8320237 20 | BC 546B | |
| 1TR23-25 | 8320097 20 | BC 547B | | 4TR1 | 8320428 32 | BD 438 | |
| 1TR26-28 | 8320152 20 | BC 557B | | 4TR2 | 8320097 20 | BC 547B | |
| 1TR29 | 8320097 20 | BC 547B | | 4TR3 | 8320321 19 | MPS A06 | |
| 1TR30 | 8320152 20 | BC 557B | | 4TR4 | 8320152 20 | BC 557B | |
| 2TR1 | 8320152 20 | BC 557B | | 4TR5 | 8320427 32 | BD 437 | |
| 2TR101/201 | 8320097 20 | BC 547B | | 4TR6 | 8320423 19 | 92 PU51 | |
| 2TR102/202 | 8320396 24 | 2N 5639 24 MPF 4392 | | 4TR7 | 8320097 20 | BC 547B | |
| 2TR103/203 | 8320097 20 | BC 547B | | 4TR8 | 8320152 20 | BC 557B | |
| 3TR1 | 8320152 20 | BC 557B | | 4TR9 | 8320097 20 | BC 547B | |
| 3TR2 | 8320331 20 | BC 328- 25/18 | | 4TR11 | 8320321 19 | MPS A06 | |
| 3TR3 | 8320097 20 | BC 547B | | 4TR12 | 8320331 20 | BC 328- 25/18 | |
| 3TR4-7 | 8320152 20 | BC 557B | | 4TR13-14 | 8320441 32 | BD 439 | |
| 3TR8-11 | 8320097 20 | BC 547B | | 4TR15 | 8320331 20 | BC 328- 25/18 | |
| | | | | 4TR16 | 8320457 20 | MTJ 619 | |
| | | | | 5TR1 | 8320369 31 | BP534 | |

| | | | | | | | |
|------------|---------|----|---------|---------|---------|----|---------|
| 8TR1 | 8320097 | 20 | BC 547B | 13TR1 | 8320152 | 20 | BC 557B |
| 8TR101/201 | 8320344 | 20 | BC 550B | 13TR2-3 | 8320237 | 20 | BC 546B |

LIST OF IC's



FOR SERVICE MANUALS
CONTACT:
MAURITRON TECHNICAL SERVICES
www.mauritron.co.uk
TEL: 01844 - 351694
FAX: 01844 - 352554

| | | | | | | | |
|------------|---------|-----|------------|---------|---------|-----|--------------|
| 11C1-2 | 8340025 | 19 | MPS A65 | 31C3Δ | 8340195 | 103 | LF 353 N |
| | | 19 | SPS 5431 | | | 103 | TL 072 CP |
| | | | | | | 103 | μAF 772TC |
| 11C3-4 | 8340157 | 102 | LM 324N | 41C1 | 8340207 | 32 | BD 678 |
| | | 102 | TDB 0124DP | | | | |
| | | 102 | MLM 324P | 51C1 | 8340208 | 105 | μA 78M15uC |
| 11C5Δ | 8340209 | 102 | CD 4016 | | | 105 | MC 78 M 15 |
| | | | BCN | | | | CT |
| | | 102 | HEF 4016BP | | | 105 | μA 78 M 15 |
| | | 102 | MC4016BLP | | | | CKC |
| 11C6 | 8340141 | 103 | LM 741CN | 51C2 | 8340240 | 123 | μA 7915 uC |
| | | 103 | μA 741CP | | | 123 | LM 3207-15 |
| | | 103 | μA 741CN | | | 123 | MC 7915 CT |
| | | 103 | SFC 741DC | 51C3 | 8340212 | 105 | MC 78 M 5 |
| 11C7 | 8340156 | 101 | SN 74247N | | | | CT |
| | | | | | | 105 | μA 78 M 5 |
| 11C8Δ | 8340158 | 124 | μC 8049 | | | | CKC |
| | | | | | | 105 | μA 78 M 5 |
| 11C9Δ | 8340159 | 124 | EXP 8355 | | | | uC |
| 21C1-2 | 8340294 | 103 | LF 353N | 81C1 | 8340294 | 103 | LF 353 N |
| 21C3 | 8340048 | 103 | MC 1458CP1 | 121C14 | 8004216 | | Hall-element |
| 21C4 | 8340294 | 103 | LF 353N | 131C1-2 | 8340294 | 103 | LF 353N |
| 21C5 | 8340048 | 103 | MC 1458CP1 | 131C3 | 8340048 | 103 | MC 1458CP1 |
| 21C101/201 | 8340295 | 101 | LM 1111BN | | | | |
| 31C2Δ | 8340202 | 102 | HEF 4066BP | | | | |
| | | 102 | CD4066BCN | | | | |

LIST OF DIODES

| 209 | 215 | 217 | 218 | | | | |
|-----|-----|-----|-----|--|--|--|--|
| | | | | | | | |

| | | | | | |
|-------------|---------|-----------------------|--------------|---------|-----------------------|
| 1D1-9 | 8300058 | 217 SFD 184 | 4D2-3 | 8300023 | 209 1N 4002/RL |
| | | 215 1N 4148 | | | |
| | | 209 1N 4148 | 4D4 | 8300058 | 217 SFD 184 |
| | | | | | 215 1N 4148 |
| 1D10 | 8300189 | 218 BAV 19 | | | 209 1N 4148 |
| | | 218 BA 219/TB | 4D5 | 8300135 | 209 ZPD 3.3V5% |
| 1D11 | 8300058 | 217 SFD 184 | | | 209 BZX 79C3V3 |
| | | 215 1N 4148 | | | 209 BZX 83C3V3 |
| | | 209 1N 4148 | 4D6 | 8300058 | 217 SFD 184 |
| 1D12 | 8300201 | 209 ZPD 6.2V5% | | | 215 1N 4148 |
| | | 209 BZX 79C6V2 | | | 209 1N 4148 |
| | | 209 BZX 83C6V2 | 4D8-11 | 8300023 | 209 1N 4002/RL |
| 1DP1 | 8330011 | FCS 8499 | 4D12 | 8300058 | 217 SFD 184 |
| 1DP2 | 8330003 | FNA 0098 | | | 215 1N 4148 |
| | | | | | 209 1N 4148 |
| 2D1-103/203 | 8300058 | 217 SFD 184 | 4D14 | 8300023 | 209 1N 4002/RL |
| | | 215 1N 4148 | | | |
| | | 209 1N 4148 | 4D15-16 | 8300058 | 217 SFD 184 |
| 3D1-2 | 8300058 | 217 SFD 184 | | | 215 1N 4148 |
| | | 215 1N 4148 | | | 209 1N 4148 |
| | | 209 1N 4148 | 6D1-8 | 8300023 | 209 1N 4002/RL |
| 3D3 | 8300189 | 218 BAV 19 | 6D9-12 | 8300294 | 209 MR 501 RL |
| | | 218 BA 219/TB | | | 209 1N 5401 |
| 3D4-5 | 8300058 | 217 SFD 184 | | | 209 1N 5401 RL |
| | | 215 1N 4148 | 6D13 | 8300036 | 209 ZPD 4.7V5% |
| | | 209 1N 4148 | | | 209 BZX 79C4V7 |
| 3D7 | 8300173 | 209 ZPD 8V2 | | | 209 BZX 83C4V7 |
| | | 209 BZX 79C8V2 | 8D1-102/202 | 8300058 | 217 SFD 184 |
| | | 209 BZX 83C8V2 | | | 215 1N 4148 |
| 3D9-13 | 8300058 | 217 SFD 184 | | | 209 1N 4148 |
| | | 215 1N 4148 | 13D1-102/202 | 8300058 | 217 SFD 184 |
| | | 209 1N 4148 | | | 215 1N 4148 |
| 4D1 | 8300218 | 209 ZPD 13C5% | | | 209 1N 4148 |
| | | 209 BZX 79C | | | |
| | | 13V0 | | | |
| | | 209 BZX 83C | | | |
| | | 13V0 | | | |

FOR SERVICE MANUALS
CONTACT:
MAURITRON TECHNICAL SERVICES

www.mauritron.co.uk

TEL: 01844 - 351694

FAX: 01844 - 352554

BEACORD 8004 LIST OF TRANSISTORS

| | | | | | | | |
|----------------|----------------|---------------|----------------|----------------|----------------|----------------|----------------|
| 19 | 20 | 24 | 102 | 103 | 125 | 209 | 215 |
| 217 | 227 | | | | | | |

FOR SERVICE MANUALS
CONTACT:

MAURITRON TECHNICAL SERVICES

www.mauritron.co.uk
TEL: 01844 - 351694
FAX: 01844 - 352554

LIST OF IC's

LIST OF DIODES

| | | | | | | | |
|-------------|---------|------------|---|------------|---------|------------|--|
| 2TR1-2 | 8320097 | 20 | BC 547B | 3TR14-15 | 8320152 | 20 | BC 557B |
| 2TR3 | 8320152 | 20 | BC 557B | 3TR16 | 8320097 | 20 | BC 547B |
| 2TR101/201 | 8320396 | 24 | 2N 5639 | 3TR17 | 8320152 | 20 | BC 557B |
| 2TR102/202 | 8320097 | 20 | BC 547B | 3TR108/208 | 8320366 | 19 | MPS A16 |
| 2TR104/204 | | | | 2TR110/210 | 8320097 | 20 | BC 547B |
| 3TR6 | 8320097 | 20 | BC 547B | | | | |
| 2IC4 | 8340048 | 103 | MC 1458 CP1 103 SN 72558 | 3IC1Δ | 8340195 | 103 | LF 353 N 103 TL 072 CP 103 μAF 772 TC |
| 2IC101/201 | 8340506 | 125 | HA 12038 | 3IC4Δ | 8340176 | 102 | CD4013BCN 102 MC4013BCP 102 HEF 4013BP |
| 2D1-102/202 | 8300058 | 217 | SFD 184 215 1N 4148 209 1N 4148 | 3D6-14 | 8300058 | 217 | SFD 184 215 1N 4148 209 1N 4148 |
| | | | | 10D1 | 8330038 | 227 | MW 57124 |

Other semiconductors for Beocord 8004 see Beocord 6002.

Δ betyder at statisk elektricitet kan ødelægge komponenten.

Δ indicates that static electricity may destroy the component.

Δ bedeutet, daß statische Elektrizität die Komponente zerstören kann.

Modules for Beocord 6002

| | | | | | |
|----|---------|--------------------------------------|----|---------|---|
| 01 | 8004195 | Microcomputer | 09 | 8013213 | Transformer, 127V type 4853, 4863 |
| 02 | 8004343 | Rec/Dolby | | | |
| 03 | 8004341 | Play-back | 09 | 8013214 | Transformer, 220V type 4854, 4864 |
| 04 | 8004194 | Power supply | | | |
| 05 | 3358132 | Power unit | 09 | 8013215 | Transformer, 240V type 4855, 4865 |
| 06 | 8004192 | Rectifier | | | |
| 07 | 3168153 | Primary keyboard | 09 | 8013216 | Transformer, 240V type 4856, 4866 AUS. |
| 08 | 2548198 | Input ampl. | | | |
| 09 | 8013211 | Transformer, 114V type 4851, 4861 | 09 | 8013247 | Transformer, 105V type 4857, 4867 JAP. |
| 09 | 8013212 | Transformer, 120V type 4852, 4862 | 10 | 8004217 | Secondary Keyboard |
| | | | 13 | 8004237 | Bias |

Modules for Beocord 8004

| | | | | | |
|----|---------|-----------|----|---------|--------------------|
| 02 | 8004345 | Rec/Dolby | 07 | 2568554 | Primary Keyboard |
| 03 | 8004239 | Play-back | 10 | 8004235 | Secondary Keyboard |

Andre moduler til Beocord 8004, se Beocord 6002.
Other modules for Beocord 8004 see Beocord 6002.

List of parts for Beocord 6002

| | | |
|------|---------|----------------------|
| 004 | 2560128 | Profile |
| 0039 | 3164360 | Panel |
| 0040 | 3164528 | Cover, complete |
| 0065 | 3454250 | Bottom plate |
| 0801 | 3122096 | Bracket |
| 0802 | 7210221 | Socket 7 contact DIN |
| 12H1 | 8600068 | Tape head |

Ander dele til Beocord 6002, se Beocord 8002.
Other parts for Beocord 6002 see Beocord 8002.

List of parts for Beocord 8004

| | | |
|------|---------|----------------------|
| 004 | 2560129 | Profile |
| 0039 | 3164499 | Panel |
| 0040 | 3164529 | Cover, complete |
| 0801 | 3122096 | Bracket |
| 0802 | 7210221 | Socket 7 contact DIN |

Special parts for 02 module

| | | |
|-------|---------|--------|
| 2S1 | 7400232 | Switch |
| 2L201 | 8022111 | 10 mH |
| 2L202 | 8022127 | 36 mH |
| 2L203 | 8022059 | 2.8 mH |

Ander dele til Beocord 8004, se Beocord 8002.
Other parts for Beocord 8004 see Beocord 8002.

FOR SERVICE MANUALS
CONTACT:
MAURITRON TECHNICAL SERVICES

www.mauritron.co.uk
TEL: 01844 - 351694
FAX: 01844 - 352554

ELEKTRISKE JUSTERINGER

Elektriske justeringer af Beocord 6002/8004 foretages som vist side 6-4, 6-5 og 6-6. Enkelte justeringer i Beocord 8004 er ændret i forhold til Beocord 8002 (se nedennævnte).

Optagehæv

FOR SERVICE MANUALS
CONTACT:
MAURITRON TECHNICAL SERVICES
www.mauritron.co.uk
TEL: 01844 - 351694
FAX: 01844 - 352554

Denne justering skal være meget nøjagtig.

CrO₂ bånd ilægges.

Tonegenerator tilsluttes AMPLIFIER indgangen, og indstilles til at afgive 333 Hz og ca. 30 millivolt.

LF voltmeter tilsluttes 2TP7E7 (2TP8E7).

Record pause aktiveres.

Record potentiometrene indstilles til der måles 100 millivolt i 2TP7 (2TP8).

LF voltmeter tilsluttes 2TP3D4 (2TP6D2).

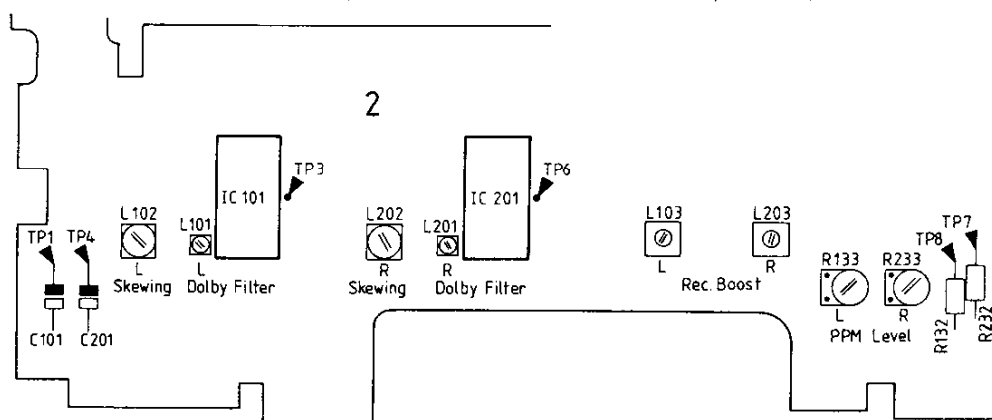
Spændingen i 2TP3 (2TP6) aflæses og noteres.

Tonegeneratorens frekvens ændres til 19 kHz.

Record potentiometrene reguleres således, at spændingen i 2TP3 (2TP6) er nøjagtig den samme ved 19 kHz som ved 333 Hz.

LF voltmeter tilsluttes 2TP7E7 (2TP8E7).

Med 2L203D6 (2L103D5) justeres til der måles 1,35 volt i 2TP7 (2TP8) (svarer til +22,7 dB ved 19 kHz i forhold til 333 Hz).



PPM

Tonegeneratoren indstilles til at afgive 333 Hz og ca. 300 millivolt.

LF voltmeter tilsluttes 2TP3D4 (2TP6D2).

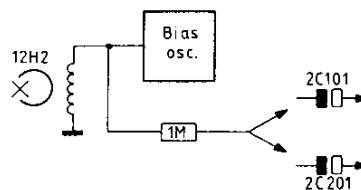
Record pause aktiveres.

Record potentiometrene indstilles til der måles 725 millivolt i 2TP3 (2TP6).

2R233E7 (2R133E7) justeres indtil +2 dB lysdioden netop tænder.

Dolby filter

Der monteres en modstand på 1 Mohm fra slettehovedet til den negative pol på 2C201D1 (2C101D1) (2TP1 (2TP4)).



Record potentiometrene stilles i maximum.

REC. aktiveres (uden LF signal tilført).

Oscilloscop tilsluttes 2TP3D4 (2TP6D2).

2L201D4 (2L101D1) justeres til minimum.

1 Mohm afmonteres.

Tilføjelse:

Skewing

Dolby NR omskifteren stilles i stilling NR C.
 Tonegenerator tilsluttes AMPLIFIER indgangen, og indstilles til at afgive 19,9 kHz (± 200 Hz) og 200 millivolt.
 LF voltmeter tilsluttes 2TP3D4 (2TP6D2).
 REC aktiveres.
 Record potentiometrene indstilles til der måles 300 millivolt i 2TP3 (2TP6).
 2L202D4 (2L102D1) justeres til minimum udslag på LF voltmeteret i 2TP3 (2TP6).

ELECTRICAL ADJUSTMENTS

Electrical adjustments of Beocord 6002/8004 are made as shown on page 6-4, 6-5, and 6-6. Some adjustments in the Beocord 8004 have been changed in relation to Beocord 8002 (see below).

Record boost

This adjustment must be very accurate.
 Load CrO₂ tape.
 Connect AF voltmeter to 2TP7E7 (2TP8E7).
 Activate record pause.
 Adjust the record potentiometers until a reading of 100 mV is obtained in 2TP7 (2TP8).
 Connect AF voltmeter to 2TP3D4 (2TP6D2).
 Take a reading of the voltage in 2TP3 (2TP6) and write it down.
 Change the tone generator frequency to 19 kHz.
 Adjust the record potentiometers in such a way that the voltage in 2TP3 (2TP6) is exactly the same at 19 kHz as at 333 Hz.
 Connect an AF voltmeter to 2TP7E7 (2TP8E7).
 Adjust with 2L203D6 (2L103D5) until 1,35 V is measured in 2TP7 (2TP8) (corresponds to +22,7 dB at 19 kHz in relation to 333 Hz).

FOR SERVICE MANUALS

CONTACT:

MAURITRON TECHNICAL SERVICES

www.mauritron.co.uk
 TEL: 01844 - 351694
 FAX: 01844 - 352554

PPM

Set the tone generator to generate 333 Hz and approx. 300 mV.
 Connect AF voltmeter to 2TP3D4 (2TP6D2).
 Activate record pause.
 Adjust the record potentiometers until 725 mV is measured in 2TP3 (2TP6).
 Adjust 2R233E7 (2R133E7) until the +2 dB LED is just glowing.

Dolby filter

Fit a 1 Mohm resistor from erase head to the negative pole on 2C201D1 (2C101D1) (2TP1 (2TP4)).
 Adjust record potentiometers to maximum.
 Activate REC. (without AF signal applied).
 Connect oscilloscope to 2TP3D4 (2TP6D2).
 Adjust 2L201D4 (2L101D1) to minimum.
 Remove 1 Mohm resistor.

ADDITION

Skewing

Adjust Dolby NR switch to position NR C.
 Connect tone generator to AMPLIFIER input, and adjust until 19,9 kHz (± 200 Hz) and 200 mV can be read.
 Connect AF voltmeter to 2TP3D4 (2TP6D2).
 Activate REC.
 Adjust record potentiometers until 300 mV in 2TP3 (2TP6) can be read.
 Adjust 2L202D3 (2L102D1) to minimum deflection on AF voltmeter in 2TP3 (2TP6).