

BANG & OLUFSEN

B E O S O U N D 2 0 0 0



CAUTION
RISK OF ELECTRIC SHOCK
DO NOT OPEN



CAUTION: To reduce the risk of electric shock, do not remove cover (or back). No User-serviceable parts inside. Refer servicing to qualified service personnel.

WARNING: To prevent fire or electric shock, do not expose this appliance to rain or moisture.



This symbol indicates that a dangerous voltage constituting a risk of electric shock is present within this unit.



This symbol indicates that there are important operating and maintenance instructions in the literature accompanying this unit.

**CLASS 1
LASER PRODUCT**

The label on the compact disc player serves as a warning that the apparatus contains a laser system and is classified as a class 1 laser product. In case of any trouble with the compact disc player, please contact your Bang & Olufsen dealer. The apparatus must be opened by a qualified serviceman only.

**COMPACT
disc
DIGITAL AUDIO**

CAUTION: The use of any controls, adjustments or procedures other than those specified herein may result in hazardous radiation exposure.

NOTE: This equipment has been tested and found to comply with the limits for a class B digital device, pursuant to part 15 of the FCC Rules. These limits are designed to provide reasonable protection against harmful interference in a residential installation.

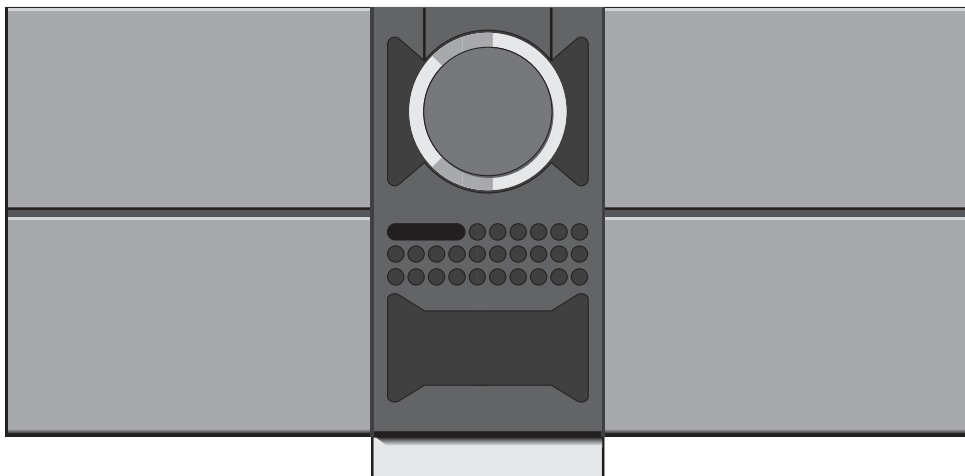
This equipment generates, uses and can radiate radio frequency energy and, if not installed and used in accordance with the instructions, may cause harmful interference to radio communications. However, there is no guarantee that interference will not occur in a particular installation. If this equipment does cause harmful interference to radio or television reception, which can be determined by turning the equipment off and on, the user is encouraged to try to correct the interference by one or more of the following measures:

- Reorient or relocate the receiving antenna.
- Increase the separation between the equipment and receiver.
- Connect the equipment into an outlet on a circuit different from that to which the receiver is connected.
- Consult the dealer or an experienced radio/TV technician for help.

For the Canadian market only!

This class B digital apparatus meets all requirements of the Canadian Interference-Causing Equipment Regulations.

CAUTION: To prevent electric shock do not use the polarized plug, attached to this apparatus, with an extension cord, receptacle or other outlet, unless the blades can be fully inserted to prevent blade exposure.



This setting-up guide explains how to assemble your BeoSound 2000 music system and make it ready for use. It also explains the correct use and assembly of two optional accessories: the active FM antenna and the wall bracket.

We recommend that you follow the instructions in this guide carefully.

See the BeoSound 2000 User's guide (also enclosed) for detailed operating instructions.

Contents

- 4 Assembling
- 5 Placement
- 6 Connections
- 7 Ready for Use...
- 8 Optional Accessories
- 10 Maintenance

NOTE!

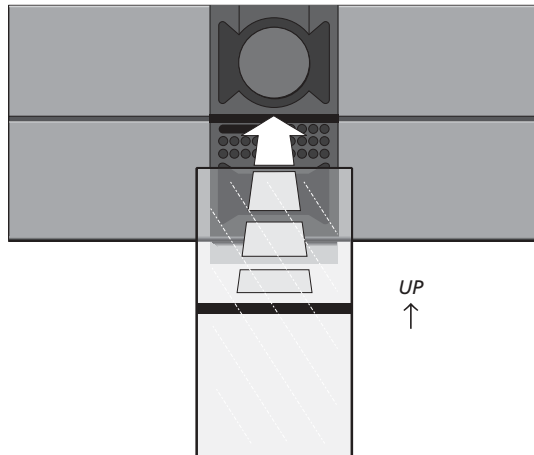
Do not connect the BeoSound 2000 system to the mains until you have finished the setting-up procedure as described in this guide.

Glass door

Fasten the glass door by inserting its metal bracket into the corresponding slot on the front of the BeoSound 2000. The bracket must be inserted with the imprinted mark "UP" facing upwards. Press gently on the glass door until it is properly seated.

When properly assembled, the edges of the door will be aligned with the edges of the centre part of the BeoSound 2000.

Treat the glass door with great care! If it crack or chip, or if it is damaged in any other way, it must be replaced immediately as it could otherwise cause bodily harm. You can order a replacement door through your Bang & Olufsen dealer.



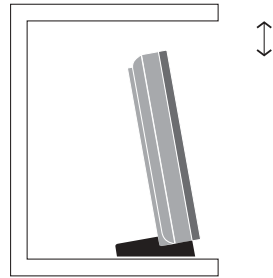
Your BeoSound 2000 can be placed standing in its base on the floor, or on a shelf or a table – or, hanging on the wall, using the wall bracket (optional accessory – type no. 2088). See the section “Optional Accessories” on how to install the wall bracket.

Light reflected off large objects placed too close to BeoSound 2000’s left side may prevent the glass door from closing. Therefore, test the door function on your BeoSound 2000 before you e.g. drill holes in the wall for a wall bracket.

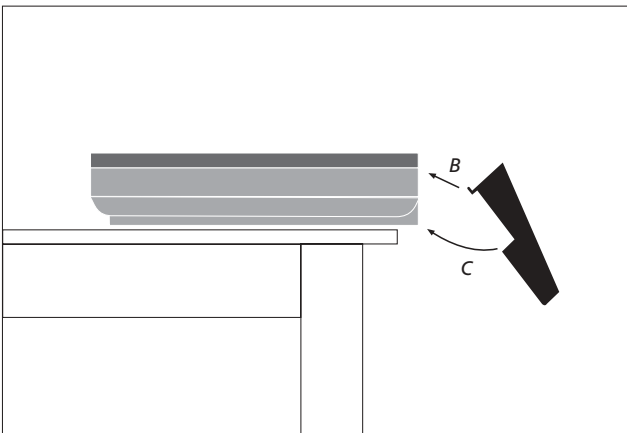
The slim cabinet allows placement in confined spaces. Avoid placing your system in direct sunlight, near radiators or other sources of heat. Place the system so that ventilation will not be impeded.

Base

The base supplied is designed, and must be used, to support the BeoSound 2000 when it is placed standing up. *Standing without its base, your BeoSound 2000 will not be stable enough to secure safe operation!*



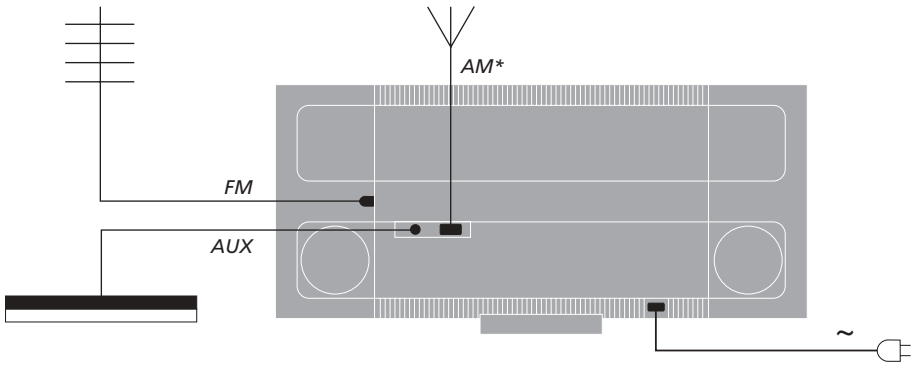
Leave a space of 5 cm (2") above or to the sides of the system in order to allow sufficient ventilation.



To attach the base:

Place the BeoSound 2000 music system lying on its rear side on e.g. a table, and then:

- B Insert the two front pegs on the base into the corresponding holes in the bottom plate of the system.
- C Move the rear part of the base towards the system, so that the rear pegs engage the notches in the rear edge of the bottom plate.



Antenna

Connect your FM antenna to the socket marked FM and your AM antenna, if any, to the socket marked AM.

If you want to install the optional active FM antenna, see the section "Optional Accessories".



FM



AUX

Auxiliary equipment

Connect your auxiliary equipment, if any, to the socket marked AUX. The socket is for input connections only and does not support Bang & Olufsen Datalink operation.

The socket enables you to connect e.g. an extra audio cassette deck, a record player (with built-in pre-amplifier), or other audio sources. Consult your Bang & Olufsen dealer for details.

Mains supply

Plug the mains lead into the socket marked ~.



~

When you have finished setting up your BeoSound 2000, connect it to the mains using the mains lead provided. The source buttons (i.e. RADIO, CD, TAPE, AUX) and the stand-by button lights up in red for a few seconds. When the door is closed, the red light in the stand-by button indicates that the system is in stand-by mode, ready to be used.

Choosing the antenna you want to use

The antenna input for FM signals has two options:

- An option which is optimized for use with the optional active FM antenna.
- An option which is optimized for use with other types of antenna (this is the factory setting).

If you have fitted the active FM antenna, select the active antenna option. Later on, when using other FM antennas, remember to cut out the active antenna option again in order to obtain optimal reception.

Remote control

Your BeoSound 2000 facilitates operation from a Bang & Olufsen remote control. Please refer to the User's guide for further information.

You may, if you wish, disable the remote control function. Later on, if you regret, you can cut the function in again.

To complete the setting-up procedure, make your presettings of sound levels, favourite radio stations, etc. as described in the User's guide for your BeoSound 2000.

To select the active antenna option:

press • (stand-by)
press TUNE, 1, STORE

The digit 1 is briefly displayed.

To cut out the active antenna option:

press • (stand-by)
press TUNE, 0, STORE

The digit 0 is briefly displayed.

To disable the remote control function:

press • (stand-by)
press SOUND, 0, STORE

The digit 0 is briefly displayed.

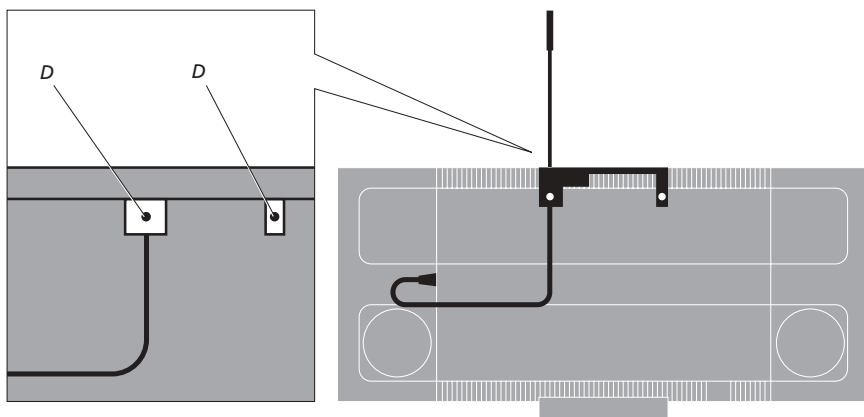
To regain the remote control function:

press • (stand-by)
press SOUND, 1, STORE

The digit 1 is briefly displayed.

NOTE:

These particular presettings are done by pressing the buttons on the BeoSound 2000 even though they are *not* lit up in red!



To install the active FM antenna:

- 1 Unscrew the two screws (D) and remove the two plastic covers held by them.
- 2 Place the antenna in the two recesses, and fasten it with the two screws supplied with the antenna.

To ensure correct function of your antenna, it is essential that you use the two screws supplied with it, and that you tighten them properly!

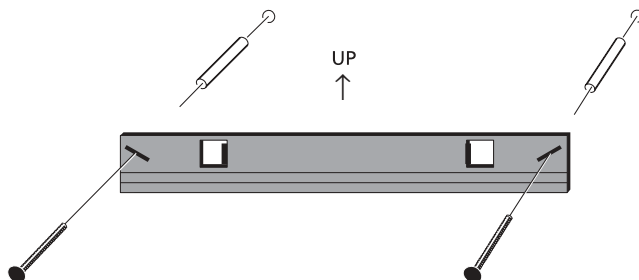
- 3 Plug the antenna cable into the socket marked FM and arrange the cable in the groove.
- 4 Activate the antenna as described in the section "Ready for use".

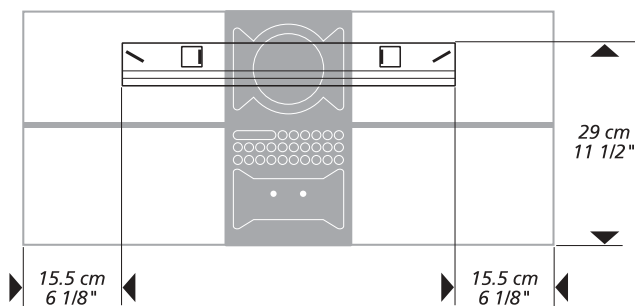
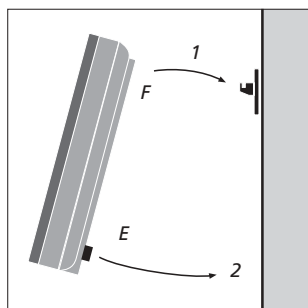
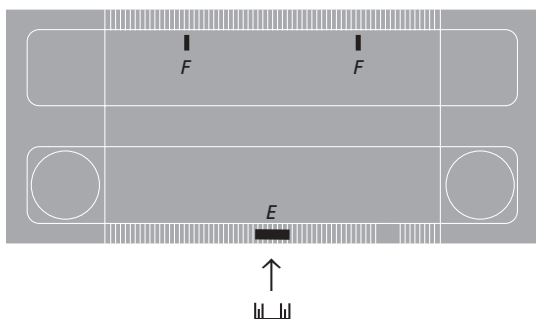
Active FM antenna (type no. 2036)

The active antenna is an attractive alternative to a permanent FM antenna. When properly installed this accessory doubles as a carrying handle.

Wall Bracket (type no. 2088)

The wall bracket is provided with two slots for the mounting screws. Use two solid screws – and the appropriate wall plugs – to fasten the bracket to the wall (as illustrated).





To install the wall bracket:

- Make your measurements and decide where to place the wall bracket, using the above diagram.
- Mark and drill the holes in the wall, using the wall bracket as a template.
- Fasten the wall bracket to the wall, using wall plugs and screws as appropriate.
- Attach the spacer (E) to the rear grill of the BeoSound 2000 music system.
- Hang your music system, using the two holes (F), onto the two hooks which now protrude from the wall.

NOTE: Make sure that the holes are properly engaged with the notch in each hook!

Important installation note!

Interior walls are often constructed of gypsum panels – known as drywall or wall board – secured to vertical studs. Gypsum is not a satisfactory material to support the weight of the BeoSound 2000 system.

If you wish to hang your system on a gypsum wall, using the wall bracket, we recommend that at least one mounting screw be a lag screw, which is screwed securely into a vertical wooden wall stud.

* The optional accessories for the BeoSound 2000 are available at your Bang & Olufsen dealer.

Use a soft, dry cloth to wipe dust off the BeoSound 2000 music system.

Do not use alcohol or other solvents to clean any part of the BeoSound 2000!

Before you start cleaning your BeoSound 2000, we recommend that you disconnect it from the mains to prevent the glass door from opening and closing automatically. While the system is disconnected, you may open the glass door manually. It requires only a little, gentle force to do so.

The glass door can be removed and cleaned on the inside, if required. To remove the glass door, simply grip it tightly and then gently but firmly pull it outwards. To clean the glass door, we recommend that you use a mild window cleaner.

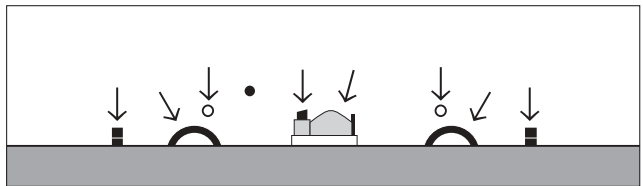
Fasten the door again as described in the section "Assembling" earlier in this guide, and reconnect the system to the mains.

The fronts of the BeoSound 2000 speakers can be replaced. Please contact your Bang & Olufsen dealer.

Tape path

The tape path – that is, the tape heads, pinch rollers and other parts which the tape touches during playback or recording – should be cleaned every now and then to avoid dust and fluff build-up. It is a good idea to clean the tape path prior to making an important recording.

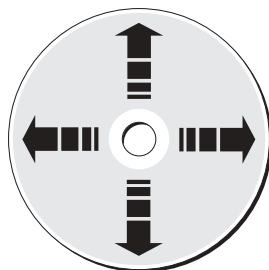
Use a tape head maintenance kit or simply a cotton wool stick dipped in a rinsing fluid intended for this purpose. The cleaning process must be carried out while there is no cassette in the tape compartment.



Handling your Compact Discs

Compact Discs (CD's) should be handled and stored with the same care as conventional records. If the CD is always held by the edges and placed in its original cassette after playing, no cleaning will be required.

Should the CD become soiled by fingerprints, dust or dirt, it can be wiped with a clean and lint-free, soft, dry cloth. No solvents or abrasive cleaners should ever be used on the CD. Avoid extreme heat and humidity, and never write on your CDs.



Always wipe the CD in a straight line from centre to edge.

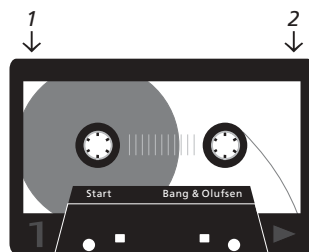
Handling your Compact Cassettes

Compact Cassettes (tapes) should always be stored in a protective box at normal room temperature. Avoid extreme temperatures and humidity.

Before loading your Compact Cassette make sure that the tape is tightly wound. If not, try using a pencil or other thin object to tighten the tape.

You may protect your recordings from unintentional erasure by removing one or both latches on the rear edge of the cassette. Removing a latch will prevent the tape recorder from recording on the appropriate side of the cassette.

If, later on, you want to make a recording on a tape thus protected, just replace the appropriate latch by a piece of tape to release the recording lock.



The latch on the left corresponds to recordings on side 1 (A), and the latch on the right corresponds to recordings on side 2 (B).

