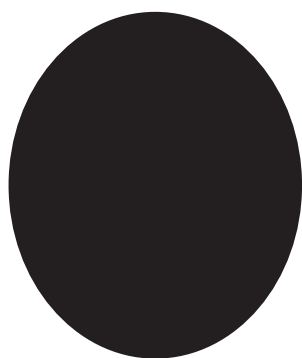


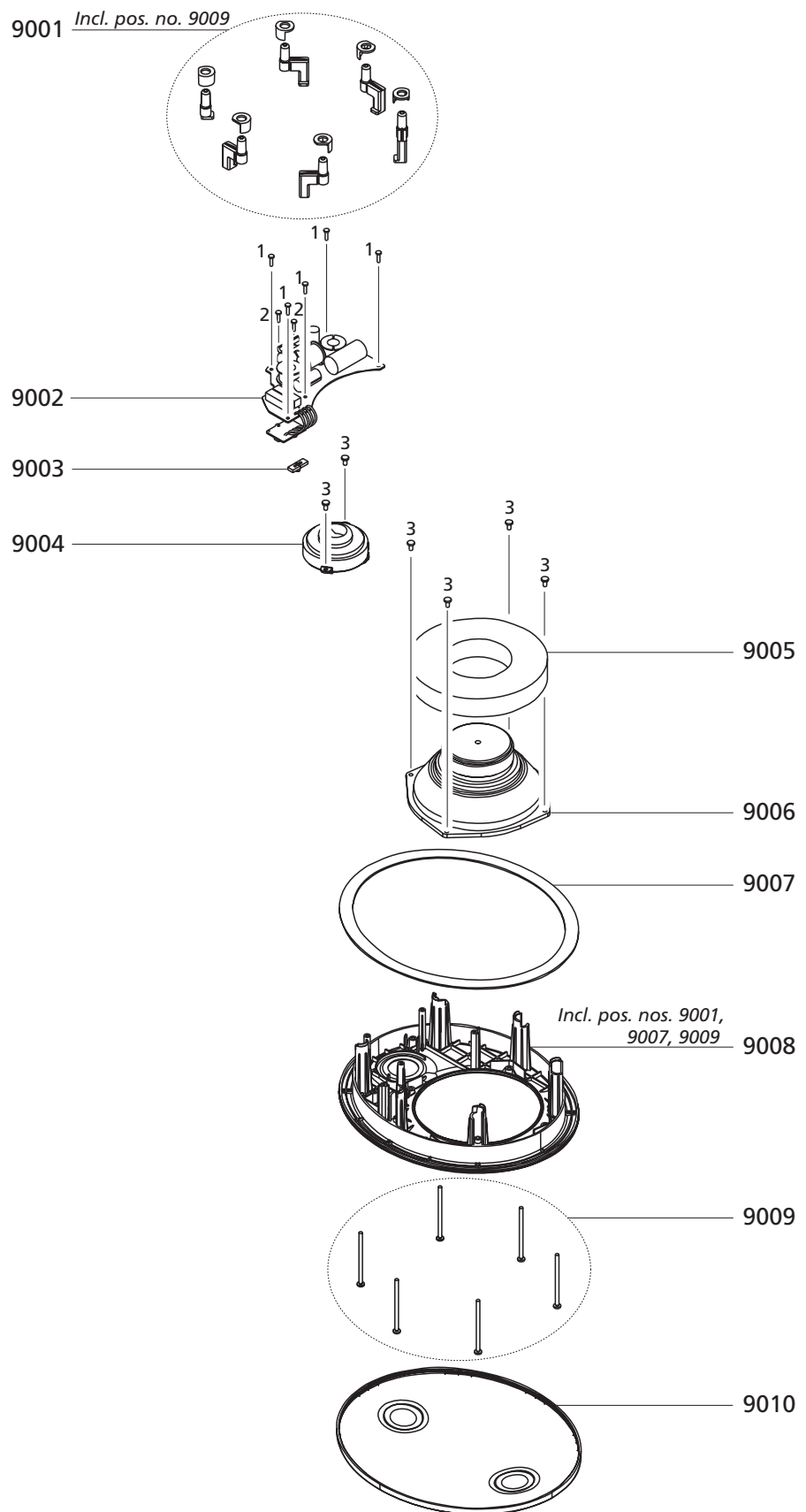
BeoVox 1

Type 6302

Service Manual



Available parts



Available parts

9001	3390116	Bag w/holders and screws (9001 + 9009)
9002	8003199	PCB crossover/switch
9003	2775046	Switch
9004	8480073	Tweeter
9005	3917081	Foam ring f/woofer
9006	8480074	Woofer
9007	3947298	Gasket f/baffle
9008	3440245	Baffle incl. pos. nos. 9001, 9007, 9009
9009	3390116	Bag w/holders and screws (9001 + 9009)
9010	1604365	Cover, white
	1604366	Cover, black

Screw of screws

1	2013047	Screw f/PCB
2	2013069	Screw f/switch
3	2013046	Screw f/speaker

Packing

	3391142	Packing, complete
--	---------	-------------------

Parts not shown

	3500001	Drilling template
	3040017	Tool f/bezel

Accessories

	1604400	InWall cabinet
--	---------	----------------

Availabe documentation

See Retail System

Specification guidelines for service use	BeoVox 1
Type	6302
Cabinet finish (grill)	Black or White
Dimensions W x H x D	248mm x 293mm x 96mm (23mm visible incl. cover) Hidden depth: approx. 8.3 cm
Weight	2.0kg
Wall opening	216mm x 260mm x 35mm (max), Ellipse shaped 8½" x 10 1/4" x 1 3/8" (max), Ellipse shaped (use template with the product)
Loudspeakersystem	Two way passive
Maximum input level	80 watts
Effective Frequency range	50-20,000Hz
Impedance	6 ohms
Sensitivity	87 dB +/-2dB
Cabinet principle	Infinite baffle
Tweeter	1" 3.0 Ohm +/-10%
Woofer/Midrange	6.5" 4.2 Ohm +/-10%
Crossover network	Passive 2 way
Crossover Frequency	3000Hz
Operation, Slide switch for treble damping	1: low, 2: medium, 3: maximum damping
Protection	Sealed for wet room use
Connections	Push terminals + (red), - (black)
InWall cabinet	Type 6044
Cabinet finish	Raw MDF
Dimensions W x H x D	356mm x 914mm x 87mm 14" x 36" x 3 7/16"
Technical details	12mm MDF, Polyester damping wool, AWG24 black/red wires

Subject to change without notice

Diagram

